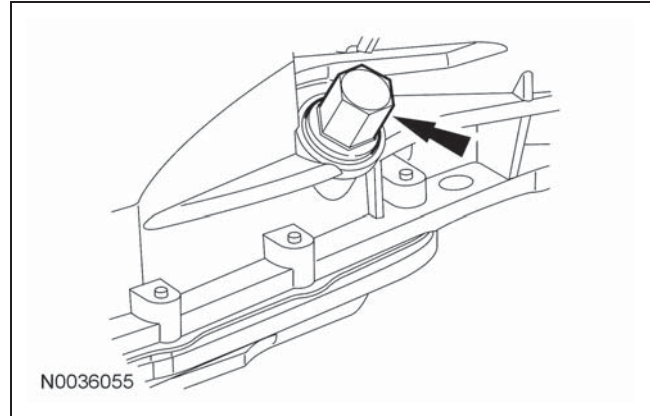
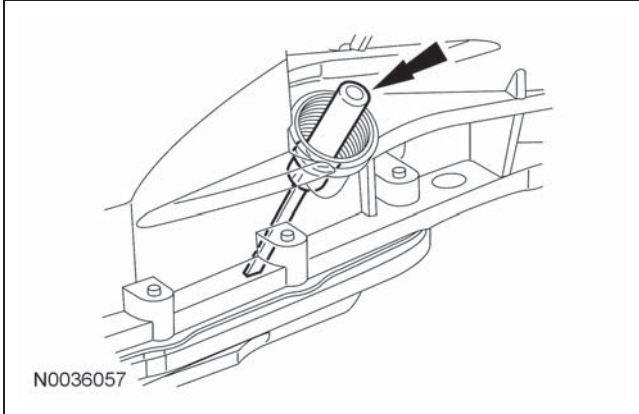


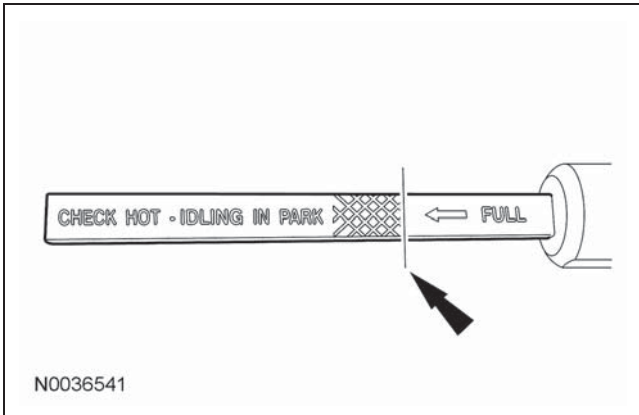
GENERAL PROCEDURES (Continued)

10. Wipe the fluid level indicator clean. Reinstall the fluid level indicator only back into the fill plug hole to check the fluid level. Repeat this until a consistent reading is established.

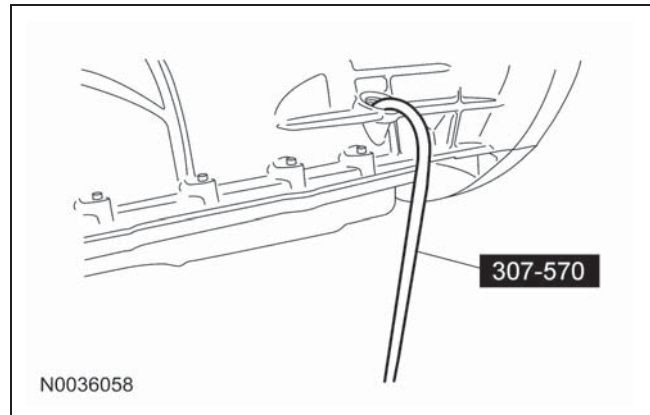
**Adding Additional Transmission Fluid**

NOTE: To get an accurate fluid level reading the engine should be idling (600-750 rpm) in PARK.

11. Using the scan tool verify that the transmission fluid temperature is between 80°C-85°C (175°F-185°F). The fluid level must be at the upper level of the crosshatch mark.



1. Install the special tool into the fluid fill hole.



2. Fill the special tool with approximately 0.47L (1 pt) of clean automatic transmission fluid.

12. **NOTE:** If the transmission fluid is not at the correct level, follow the steps for Adding Additional Transmission Fluid or Removing Transmission Fluid in this procedure.

Install the fluid fill plug.

- Tighten to 35 Nm (26 lb-ft).

