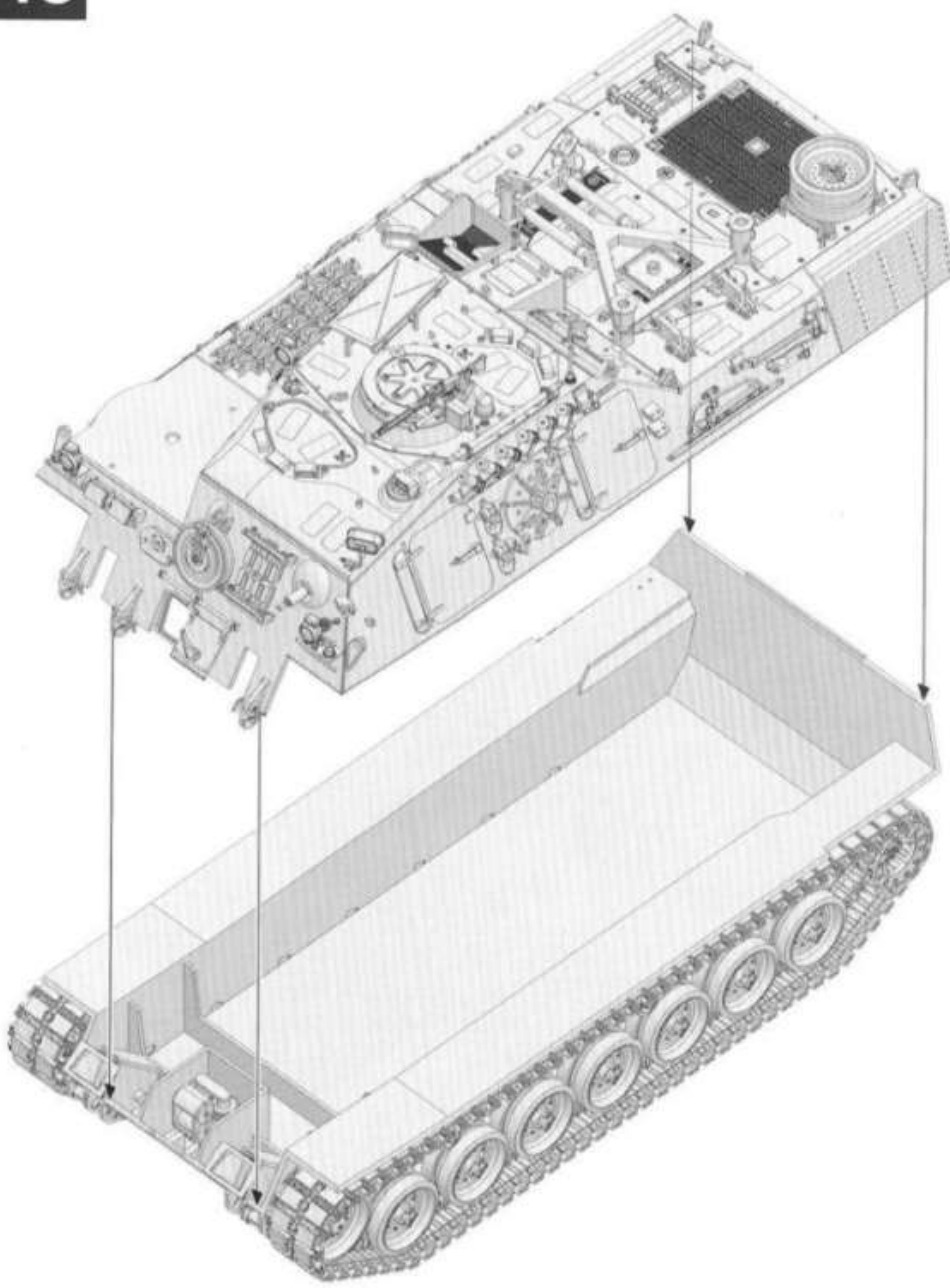
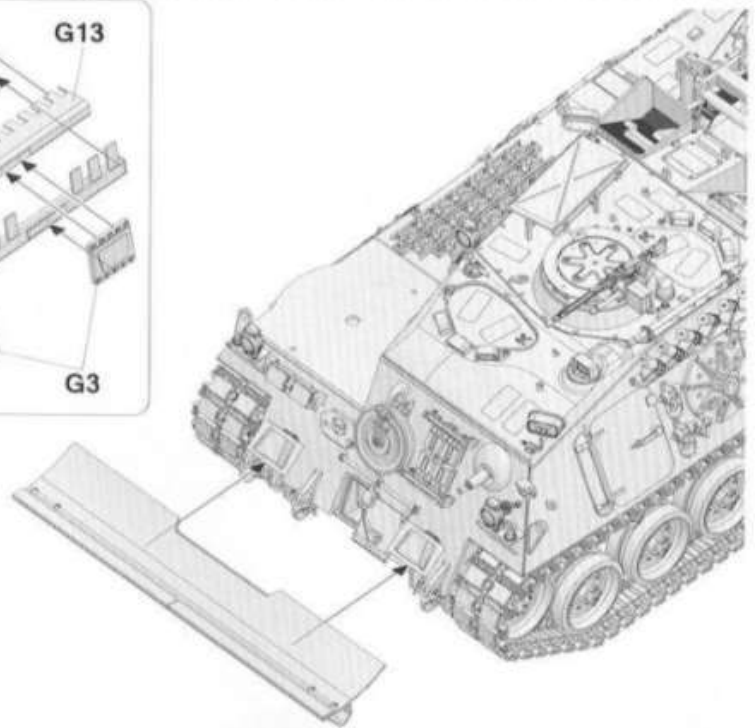
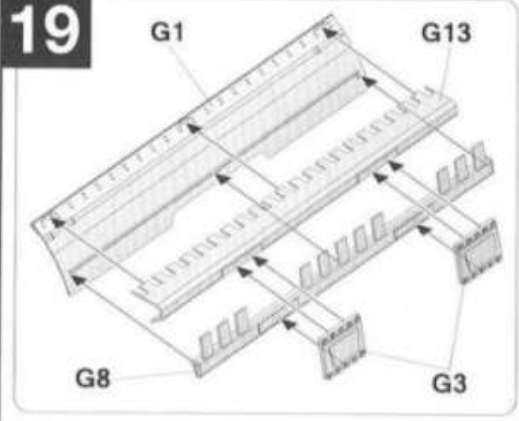


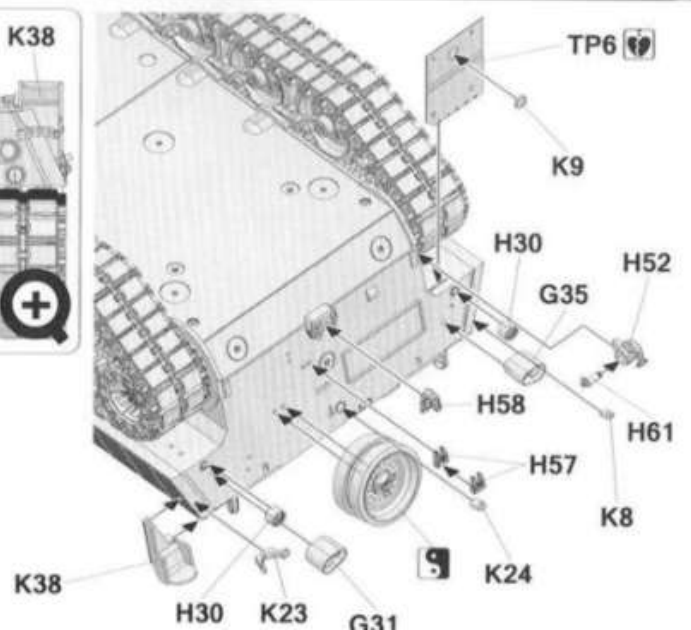
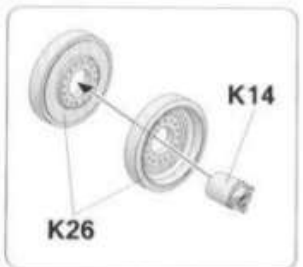
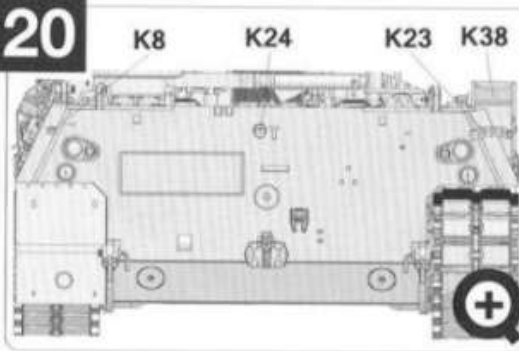
18

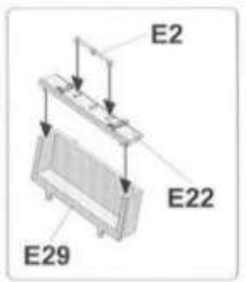
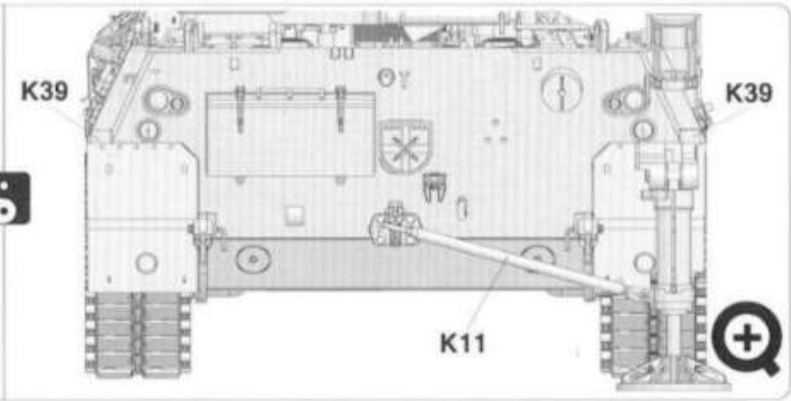
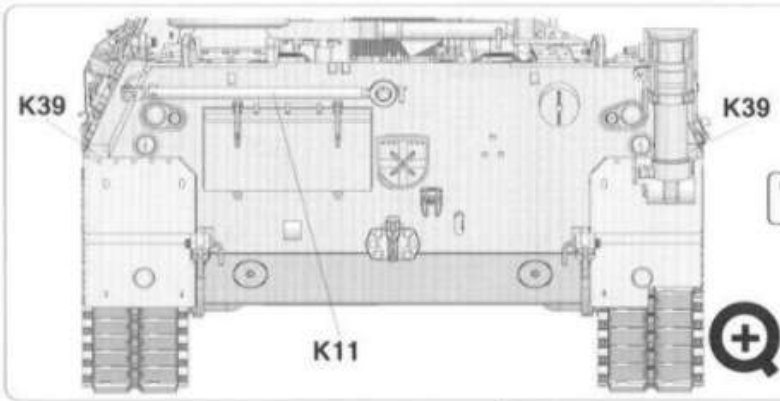
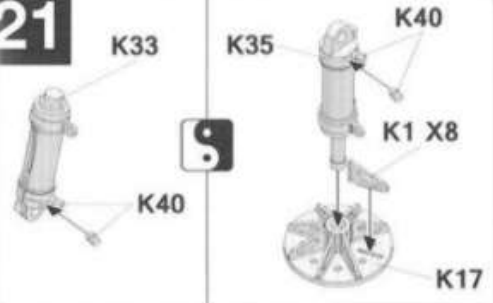
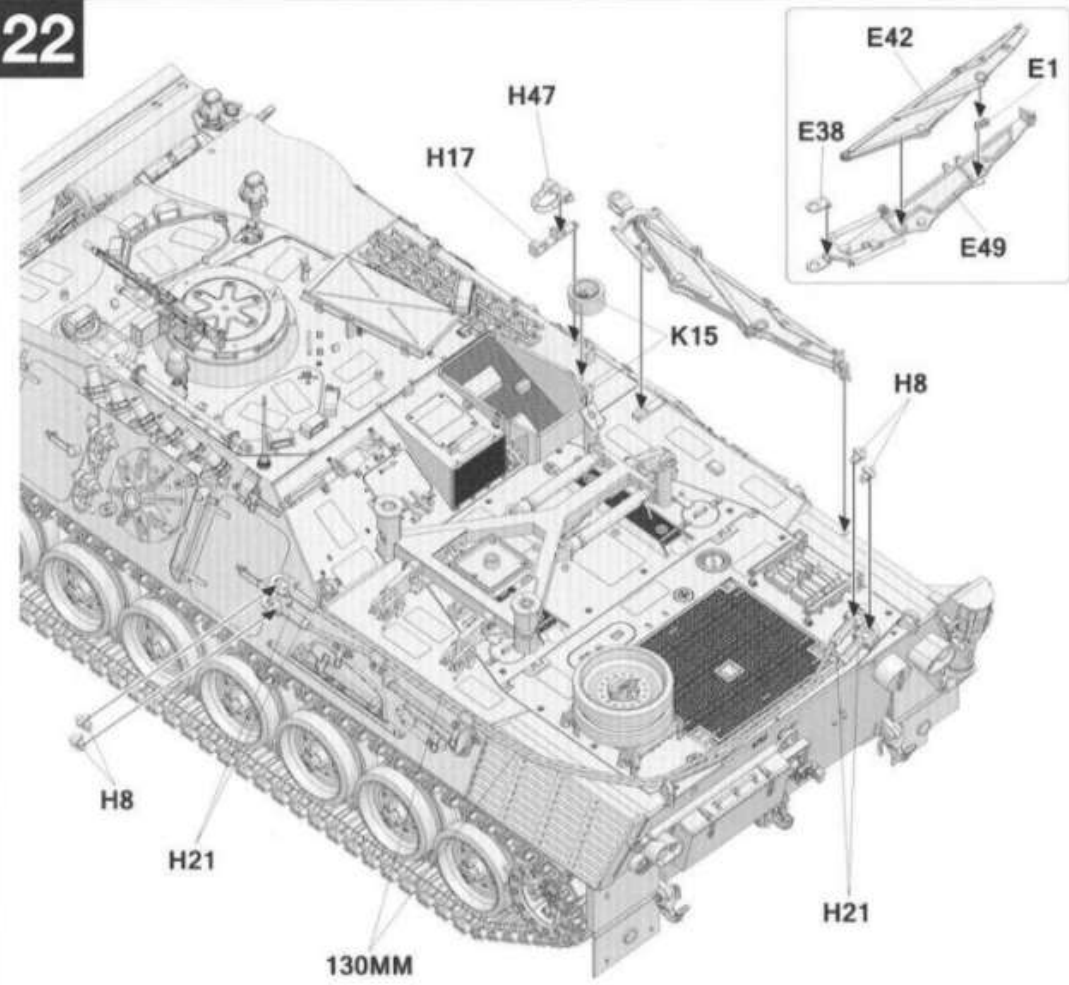
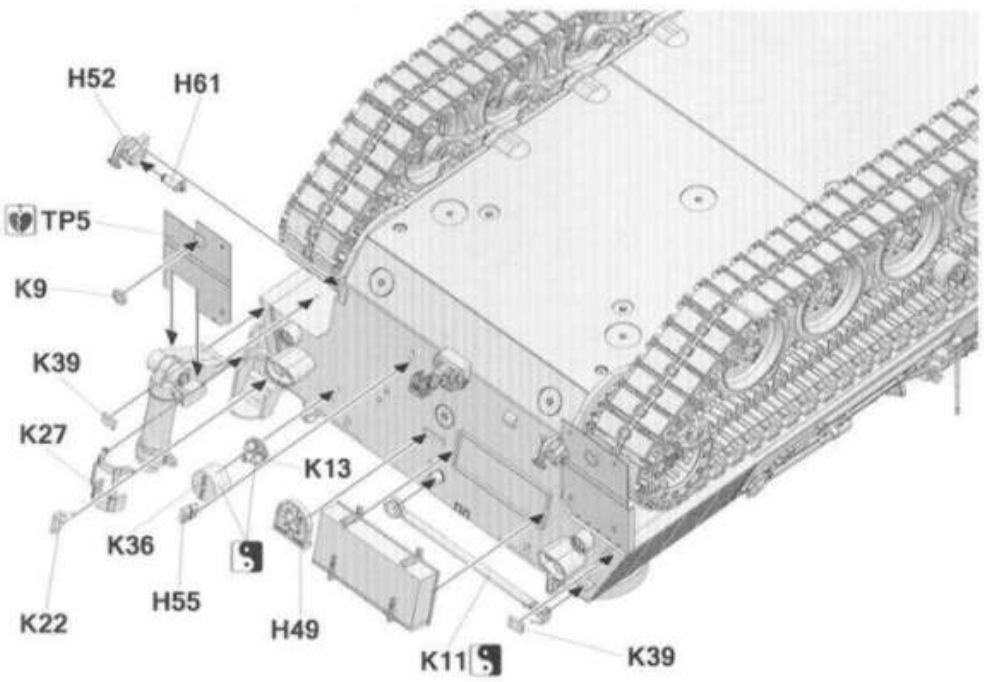


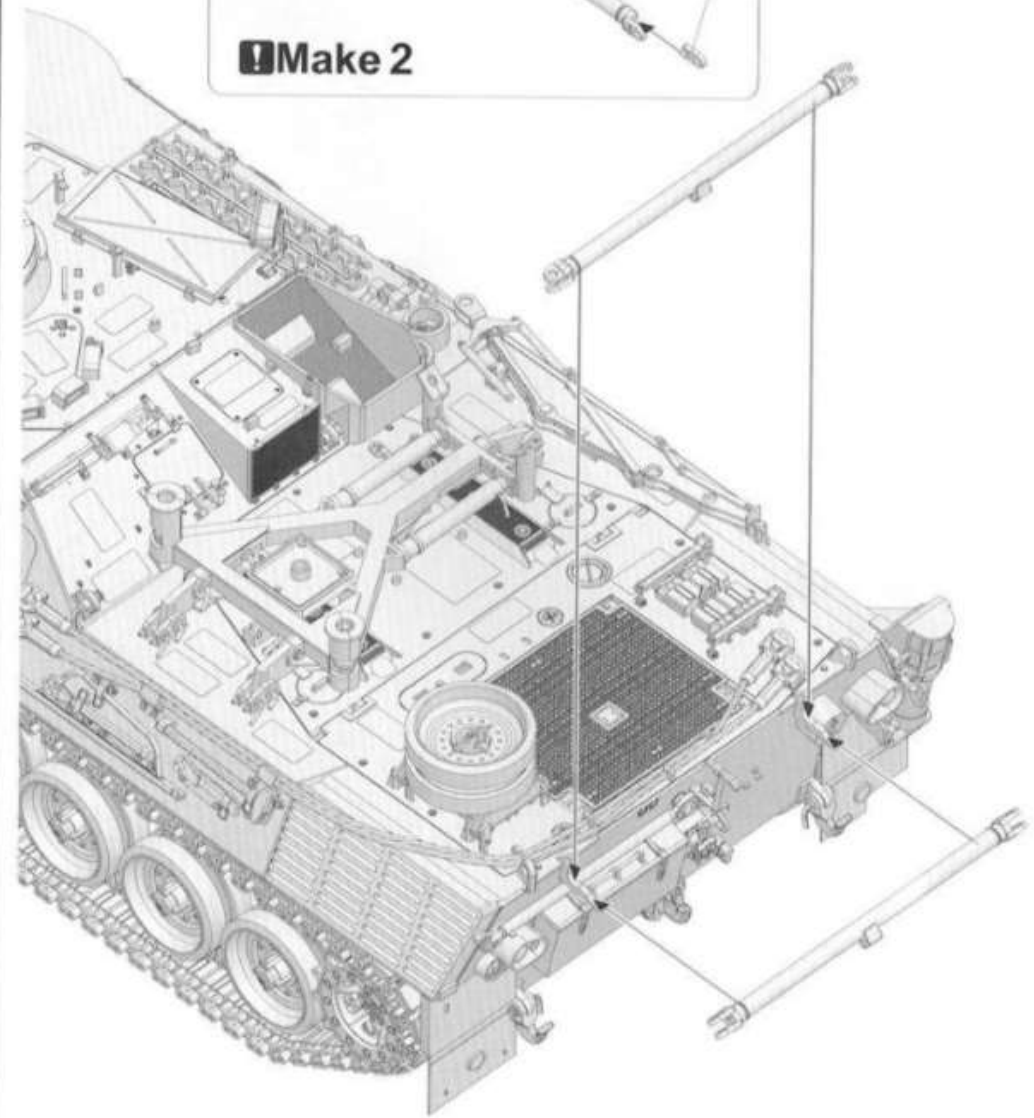
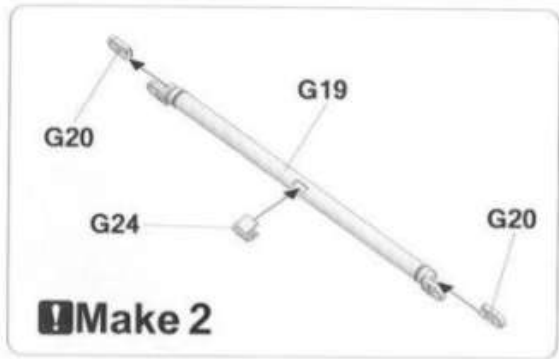
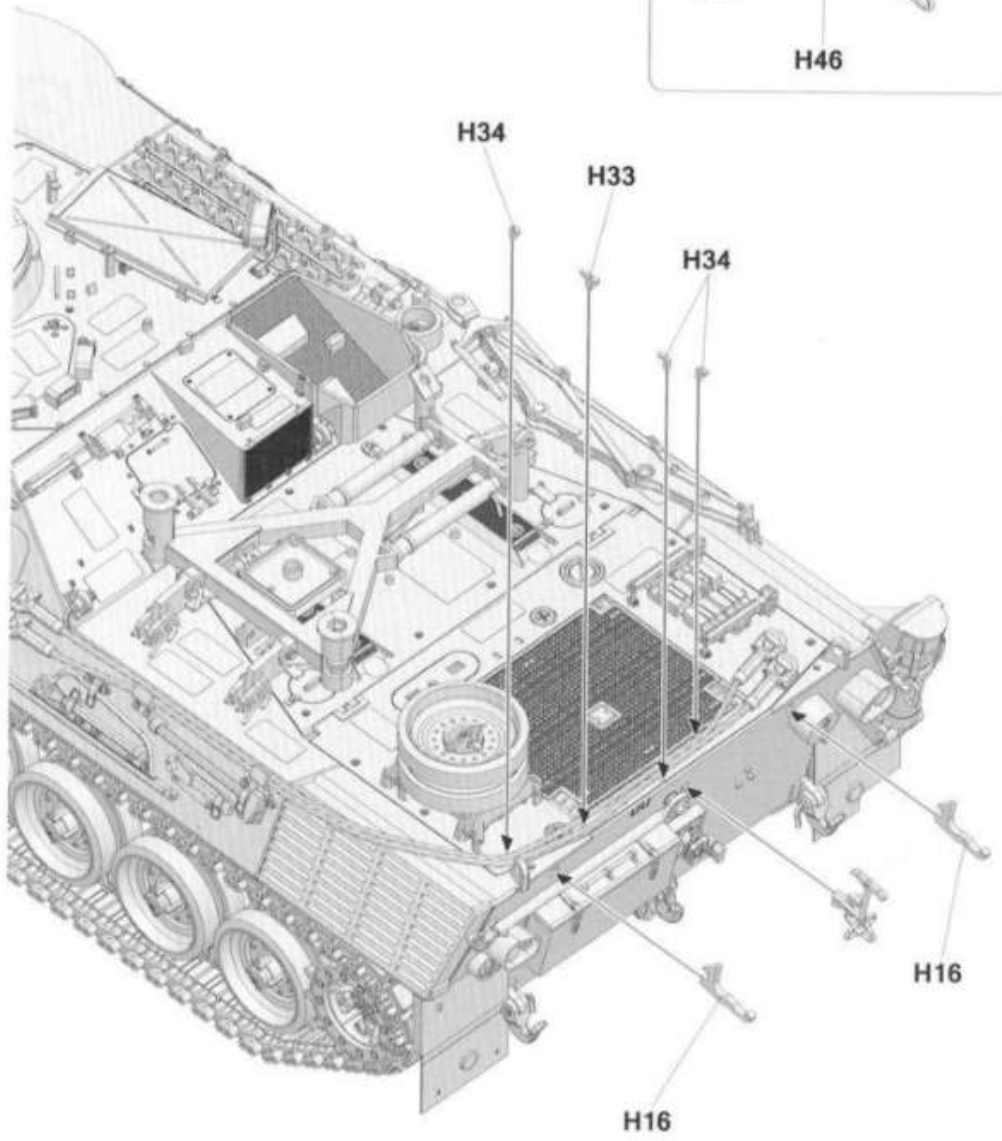
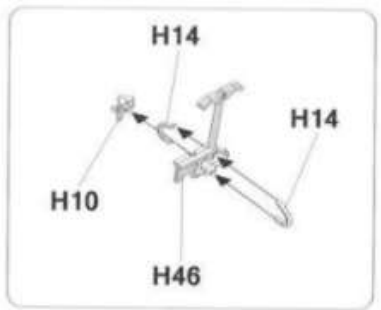
19

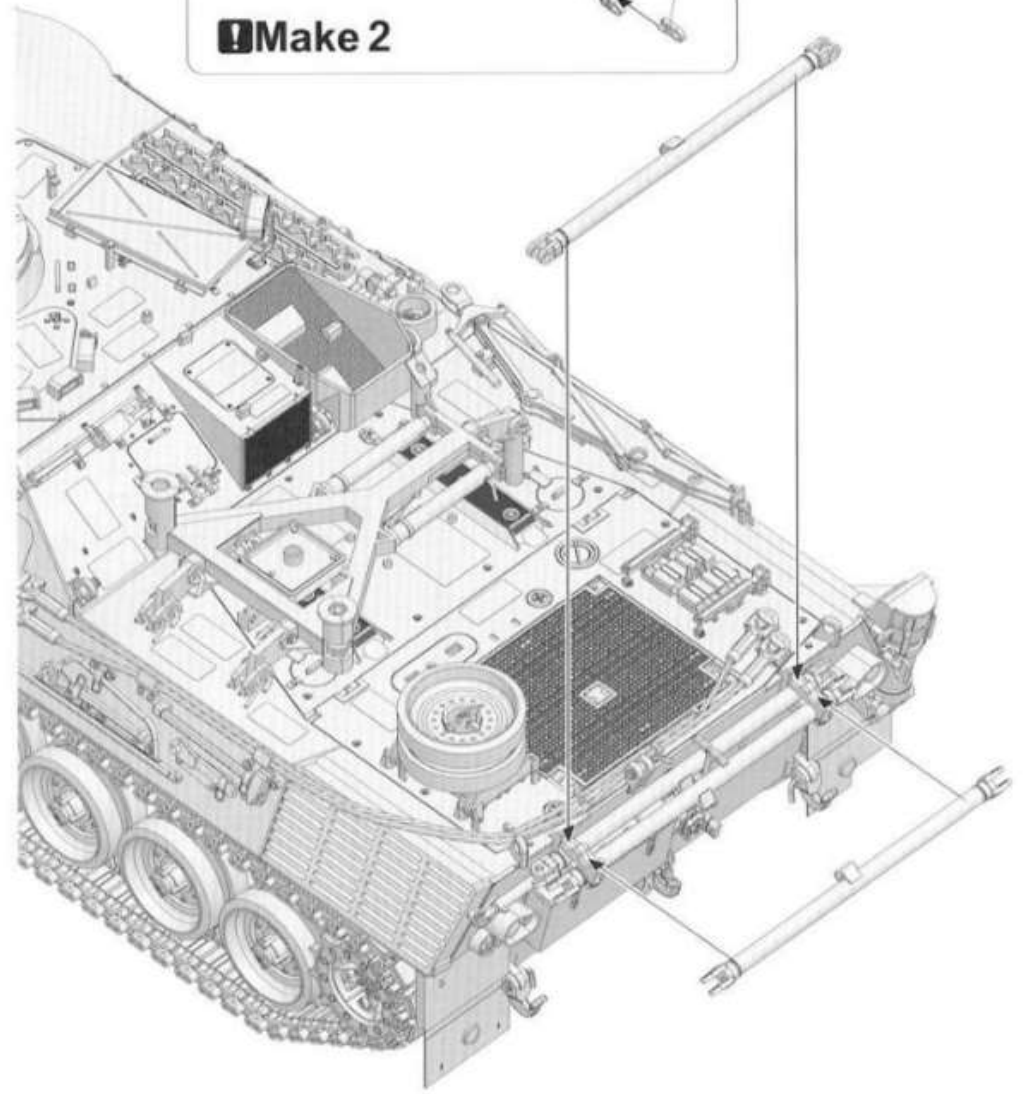
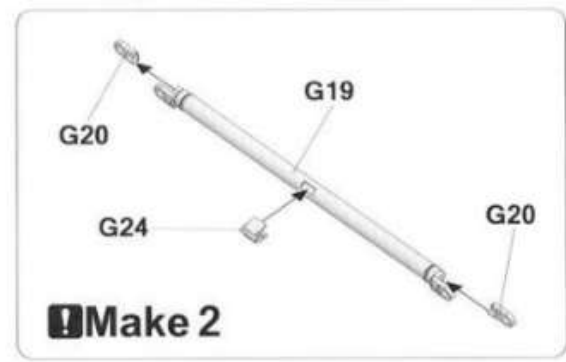
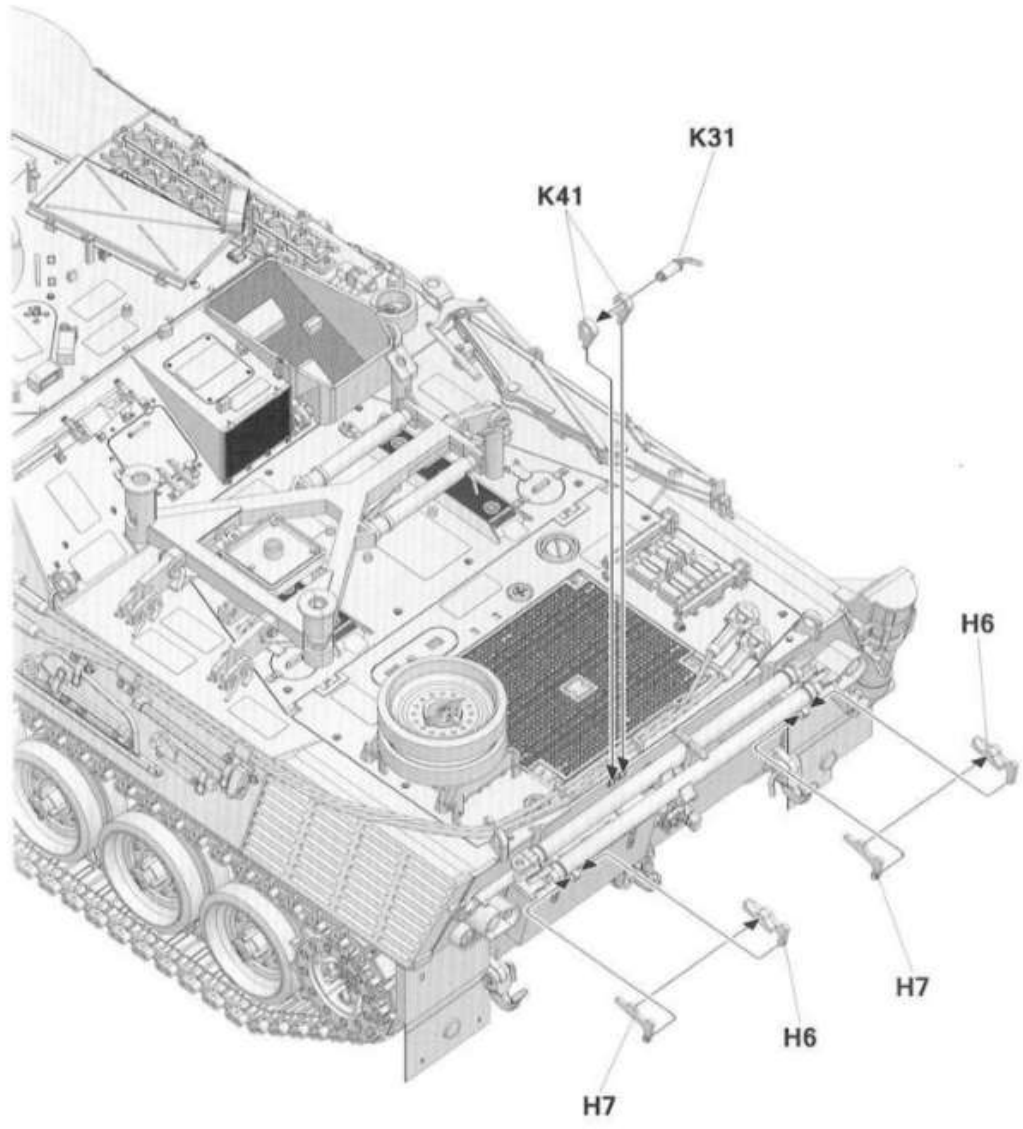


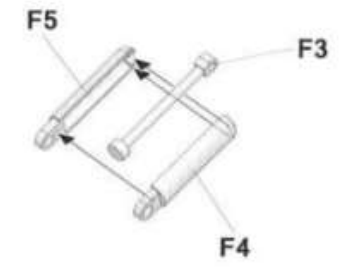
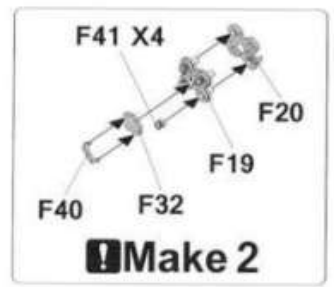
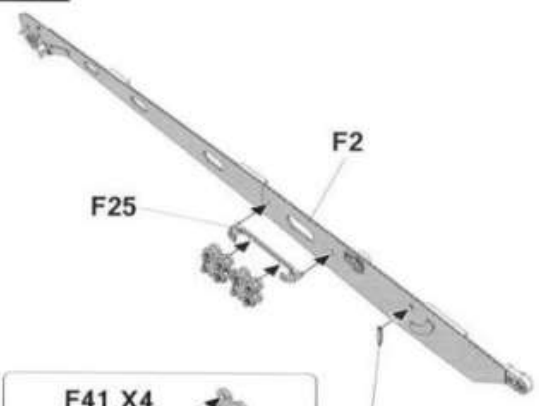
20



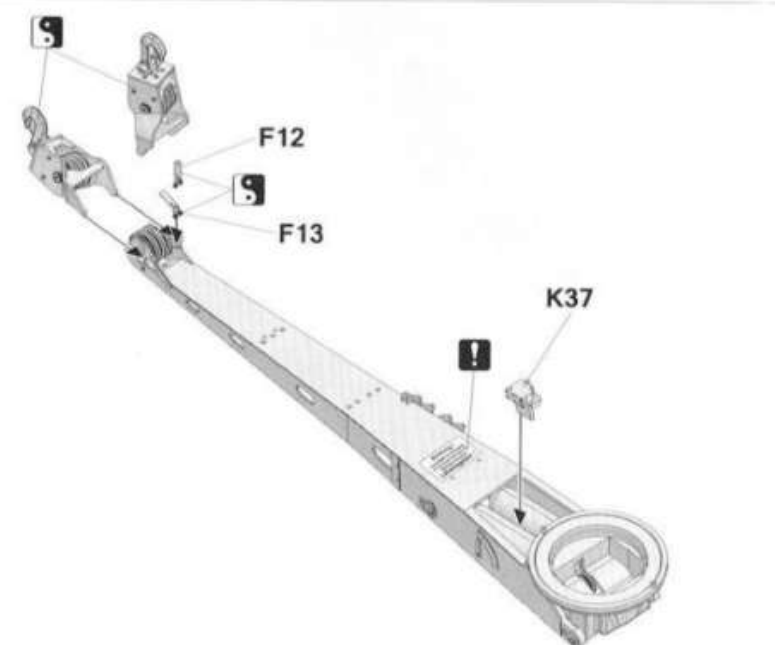
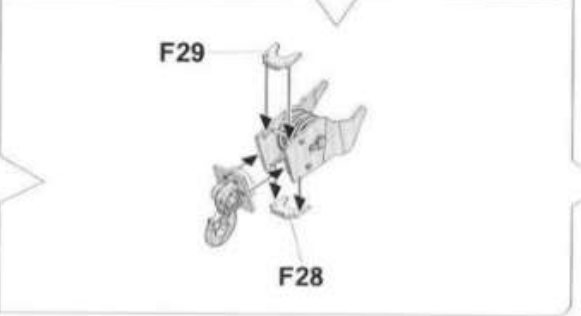
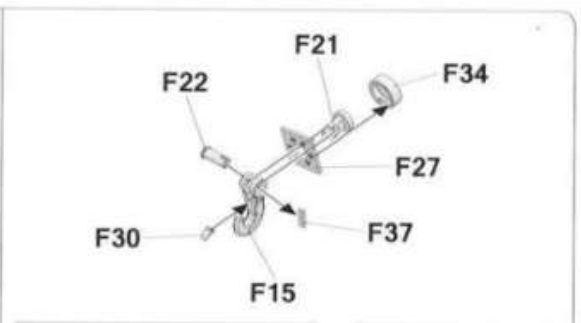
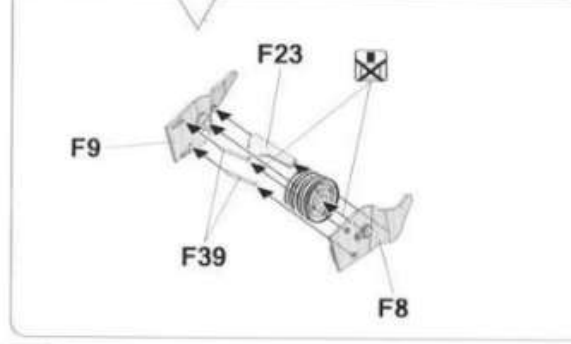
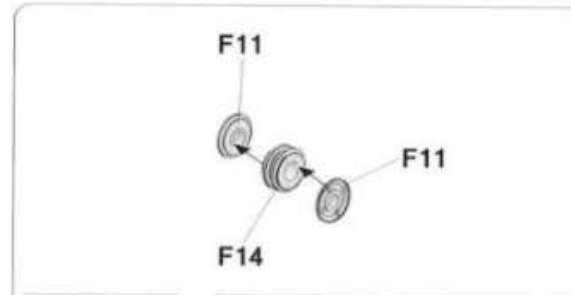
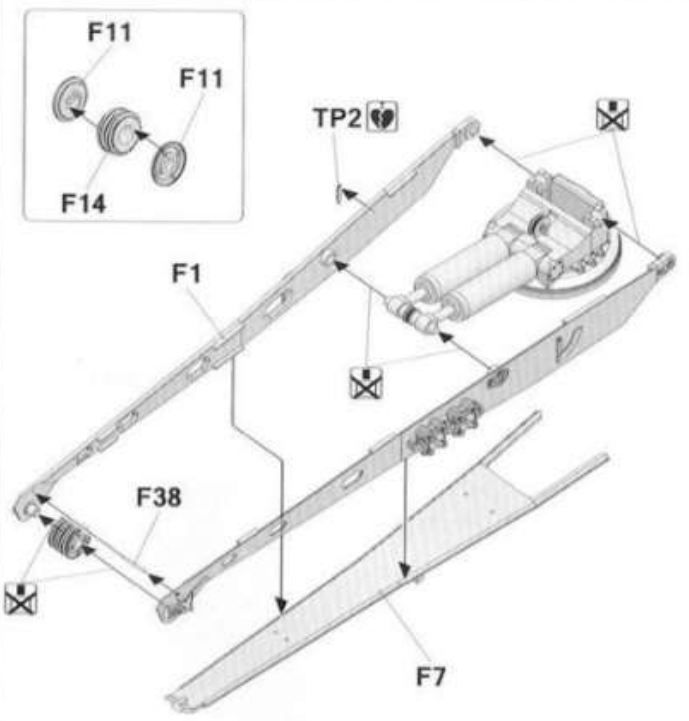
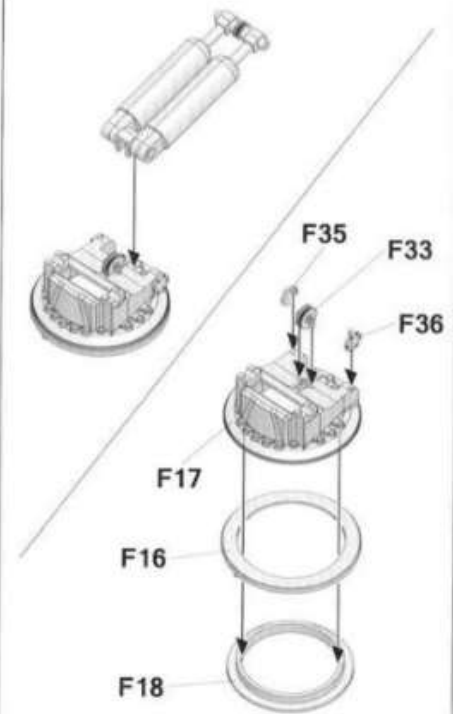
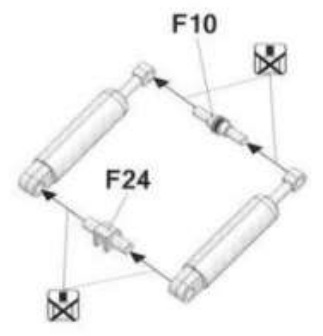
21**22**

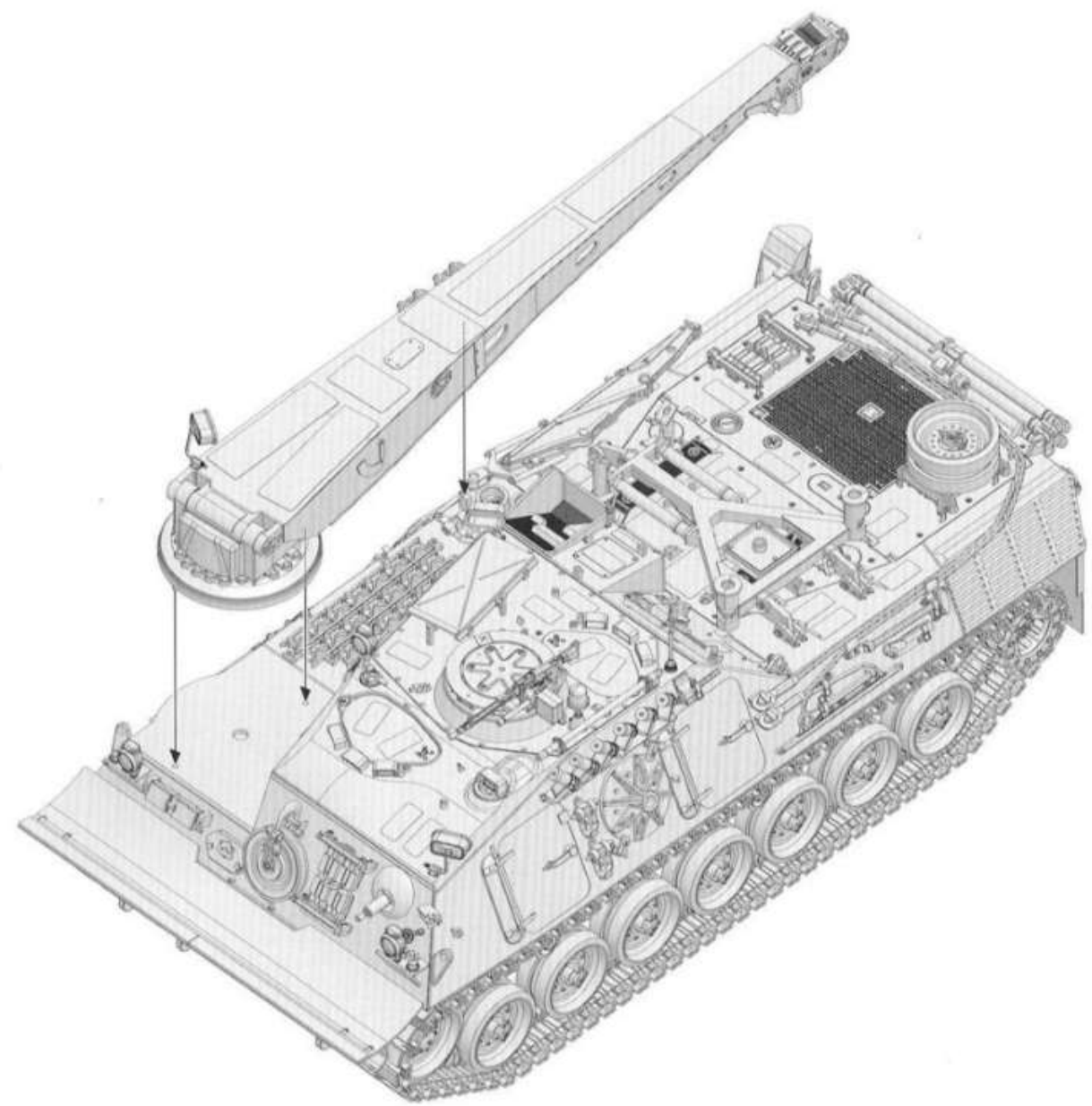
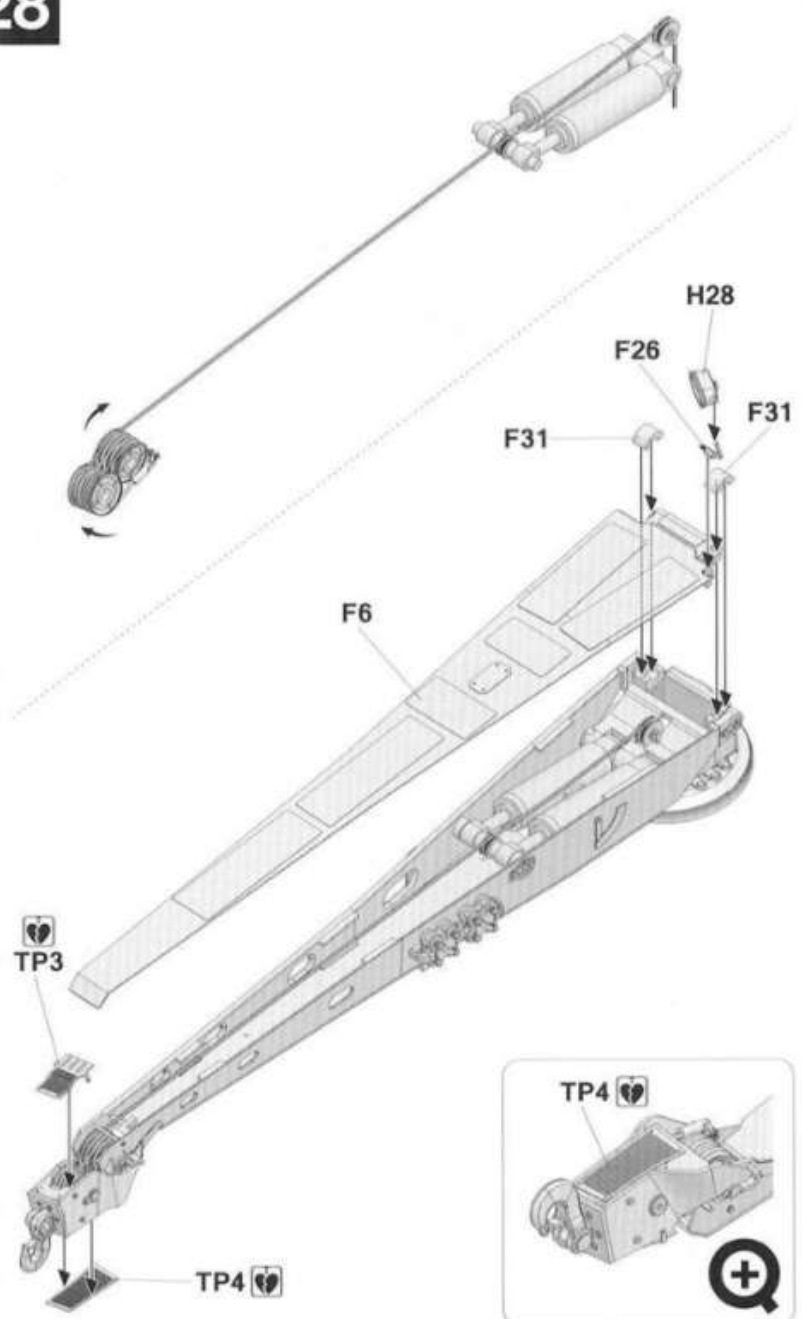






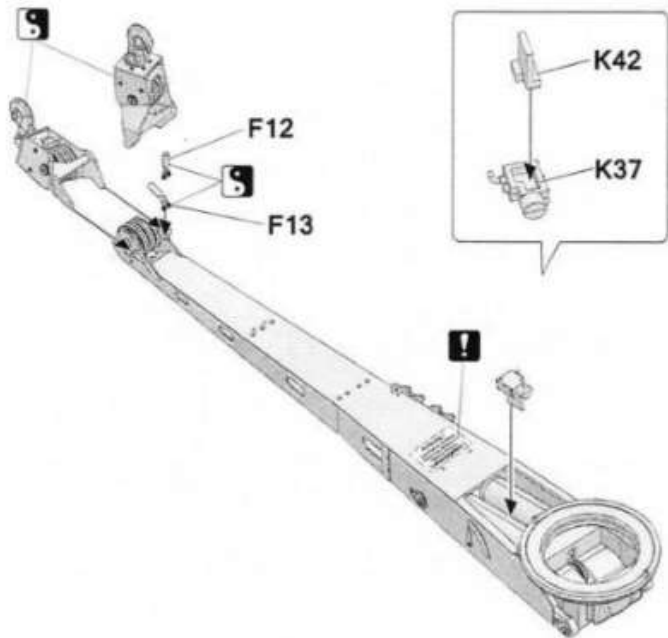
Make 2





27

#2135

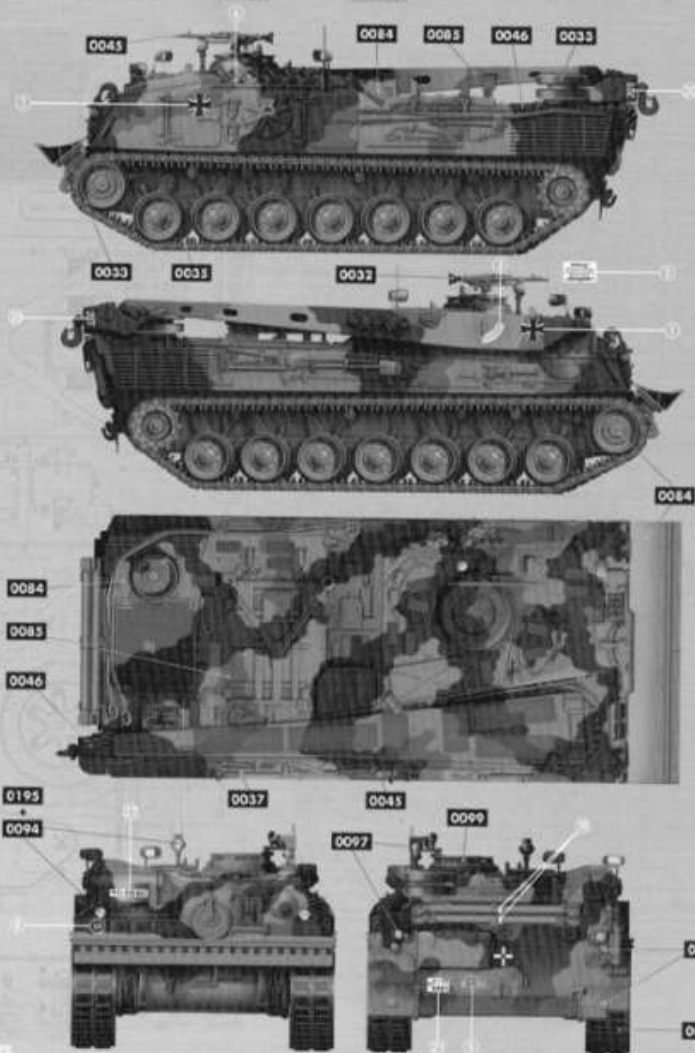


Painting and Marking Guide

TAKOM Ref: 2135

Bergepanzer 2 A2

Fahrergriffenabteilung 132
Sondertruppen, Germany
June 2003



WEATHERING STEPS WITH AMMO PRODUCTS

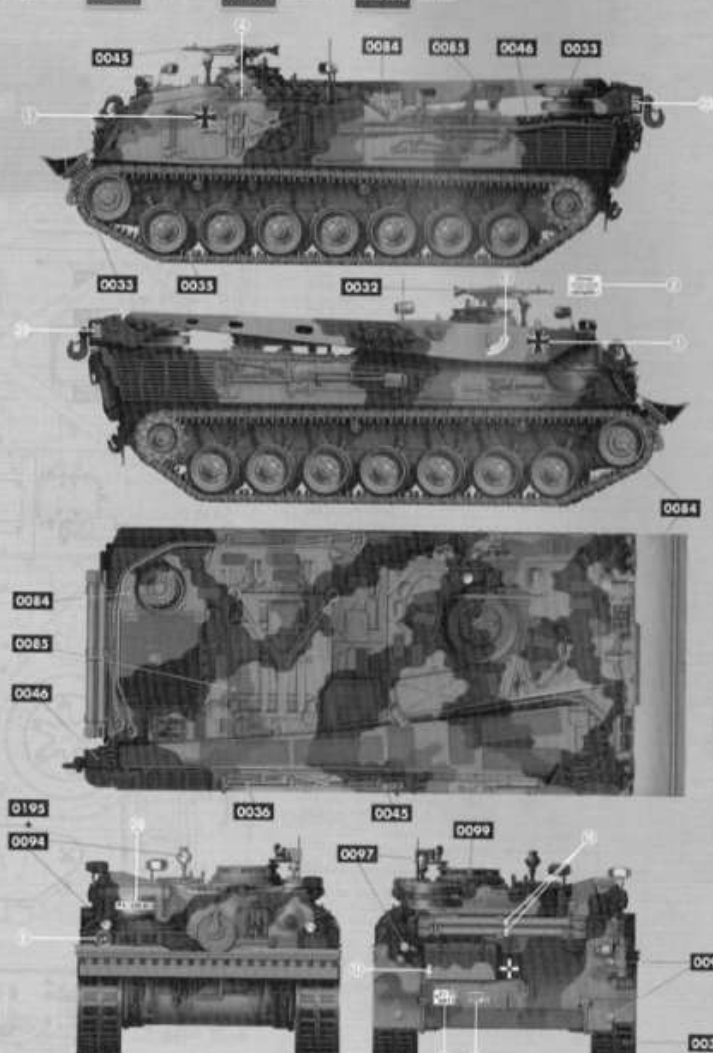
1 GENERAL WASH AMMO-1008 Dark Wash	2 STEELING AMMO-1256 Streaking/Grain Green-Grey Green	3 DAMAGING AMMO-1208 Stencils/Effects	7 MUD AMMO-1703 Mud Ground	8 FUEL AMMO-1409 Fuel Stains
2 FILTER AMMO-1507 Tux for Yellow Green	4 TRACKS WASH AMMO-1002 Tracks Wash	5 RUST AMMO-1013 Rust	9 FLAMES AMMO-1752 Loose Ground	10 OIL AMMO-1408 Fresh Engine Oil

Painting and Marking Guide

TAKOM Ref: 2135

Bergepanzer 2 A2

Panzerfuhrer-Verkehrsanstalt 112
Achse, Germany
June 2003



WEATHERING STEPS WITH AMMO PRODUCTS

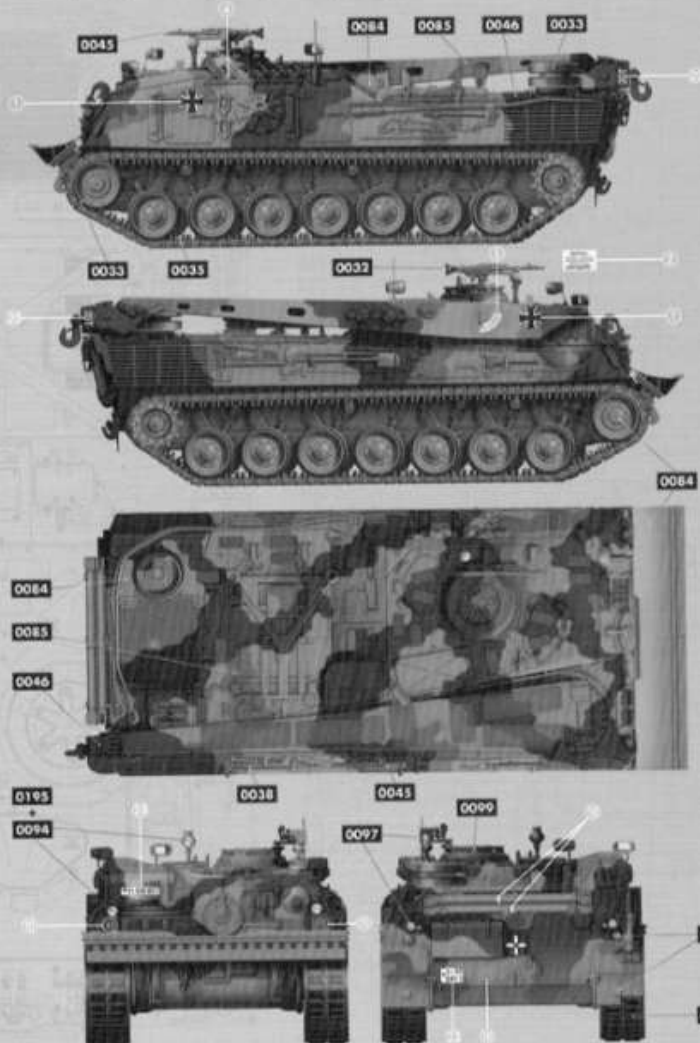
1 GENERAL WASH AMMO-1008 Dark Wash	2 STEELING AMMO-1256 Streaking/Grain Green-Grey Green	3 DAMAGING AMMO-1208 Stencils/Effects	7 MUD AMMO-1703 Mud Ground	8 FUEL AMMO-1409 Fuel Stains
2 FILTER AMMO-1507 Tux for Yellow Green	4 TRACKS WASH AMMO-1002 Tracks Wash	5 RUST AMMO-1013 Rust	9 FLAMES AMMO-1752 Loose Ground	10 OIL AMMO-1408 Fresh Engine Oil

Painting and Marking Guide

TAKOM Ref: 2135

Bergepanzer 2 A2

Lehrschulungszentrum (LSUZ),
Helmstedt, Germany
July 2009



WEATHERING STEPS WITH AMMO PRODUCTS

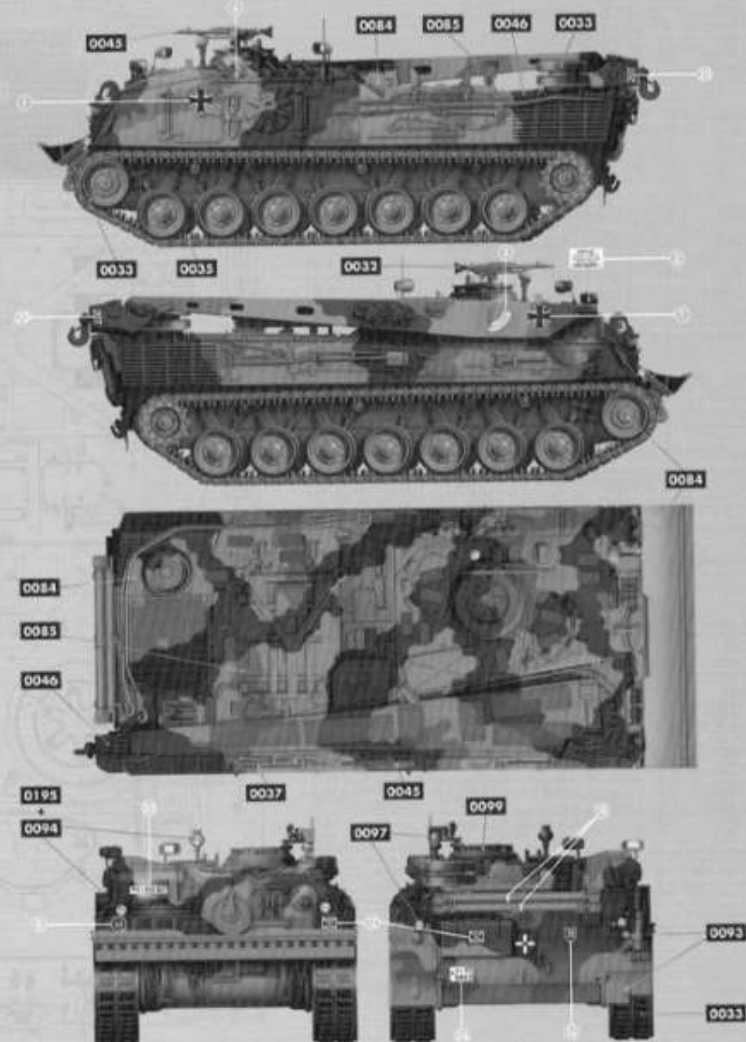
1 GENERAL WASH A.MIG-1008 Dark Wash	2 TREATING A.MIG-1256 Streaking/Weather Dense-Grey Oxide	3 MARKING A.MIG-1208 Flatmarks Effects	7 MUD A.MIG-1763 Mud Ground	8 RUL A.MIG-1408 Fuel Stains
4 FILTER A.MIG-1507 Tint For Yellow Green	5 TRACKS WASH A.MIG-1002 Tracks Wash	6 DIRT A.MIG-3013 Rubble	9 SPLASHES A.MIG-1752 Loose Ground	10 OIL A.MIG-1408 Fresh Engine Oil

Painting and Marking Guide

TAKOM Ref: 2135

Bergepanzer 2 A2

Lehrschulungszentrum
Helmstedt, Germany
July 2014



WEATHERING STEPS WITH AMMO PRODUCTS

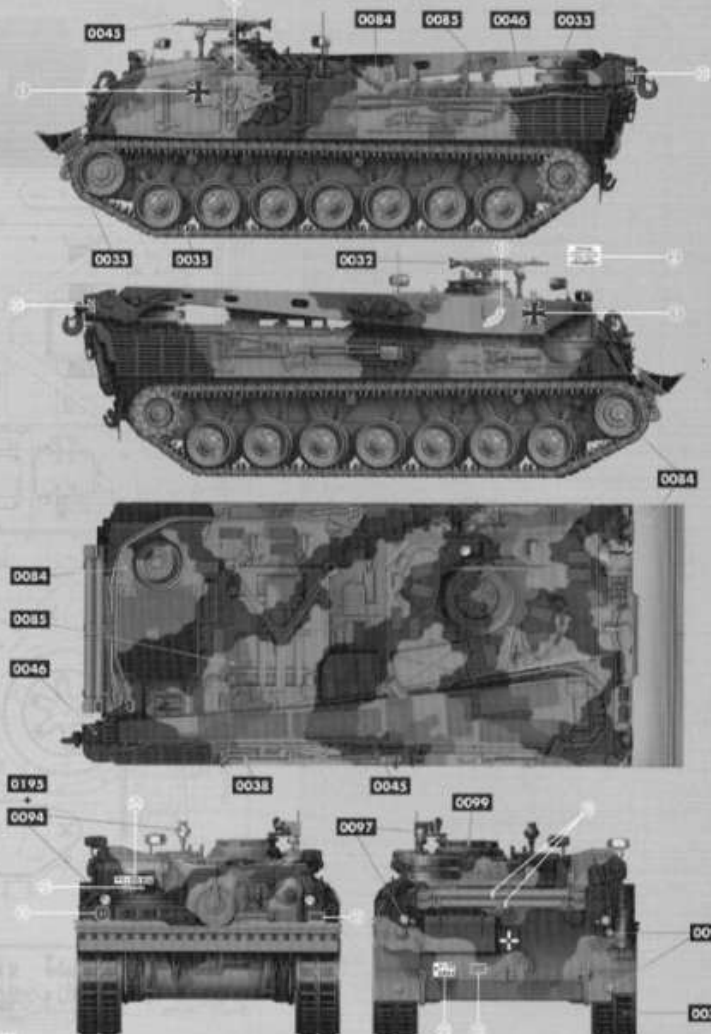
1 GENERAL WASH A.MIG-1008 Dark Wash	2 TREATING A.MIG-1256 Streaking/Weather Dense-Grey Oxide	3 MARKING A.MIG-1208 Flatmarks Effects	7 MUD A.MIG-1763 Mud Ground	8 RUL A.MIG-1408 Fuel Stains
4 FILTER A.MIG-1507 Tint For Yellow Green	5 TRACKS WASH A.MIG-1002 Tracks Wash	6 DIRT A.MIG-3013 Rubble	9 SPLASHES A.MIG-1752 Loose Ground	10 OIL A.MIG-1408 Fresh Engine Oil

Painting and Marking Guide

TAKOM Ref: 2135

Bergepanzer 2 A2

Utzman Unit
Eisenberg, Germany
February 2015



WEATHERING STEPS WITH AMMO PRODUCTS

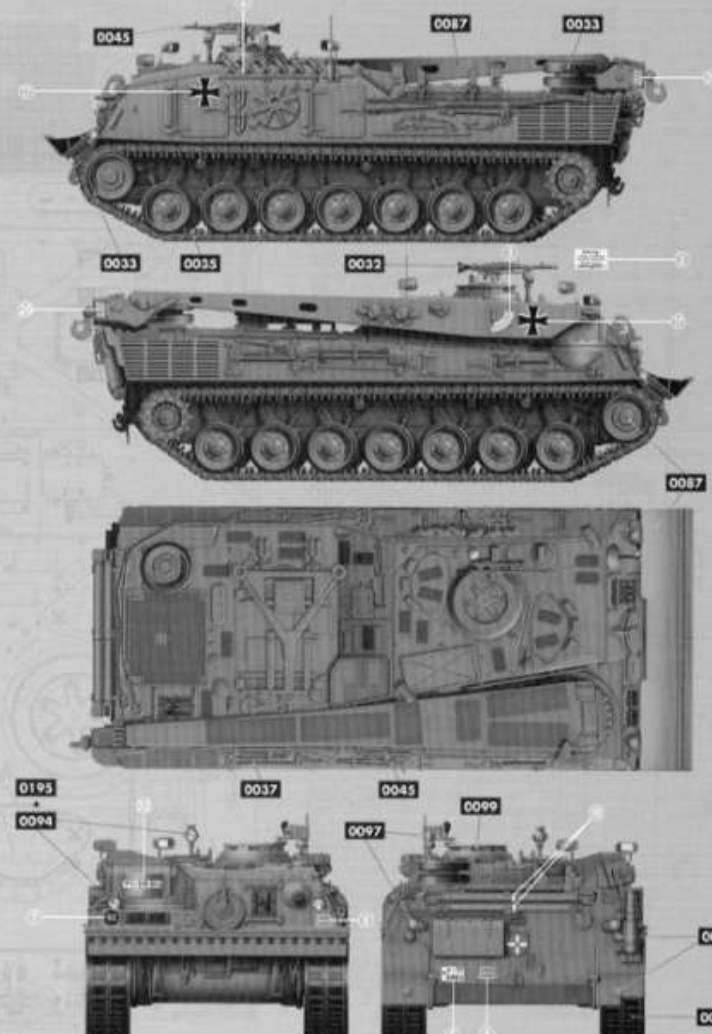
1 GENERAL WASH AMMO-1008 Dark Wash	2 STREAKING AMMO-1256 Streakingbrush Green Dye Solvent	3 DIRT MARKS AMMO-1208 Razebrush Effects	4 MUD AMMO-1702 Black Ground	5 OIL AMMO-1408 Fuel Stains
2 FATIGUE AMMO-1007 Tint for Yellow Green	4 DIRT AMMO-1002 Trucks Wash	4 DIRT AMMO-3013 Rusts	5 SPLASHES AMMO-1702 Limes Ground	10 OIL AMMO-1408 Fresh Engine Oil

Painting and Marking Guide

TAKOM Ref: 2135

Bergepanzer 2 A2

Wartungsbattalion 31,
Stabsfeldzug, Germany
September 2002



WEATHERING STEPS WITH AMMO PRODUCTS

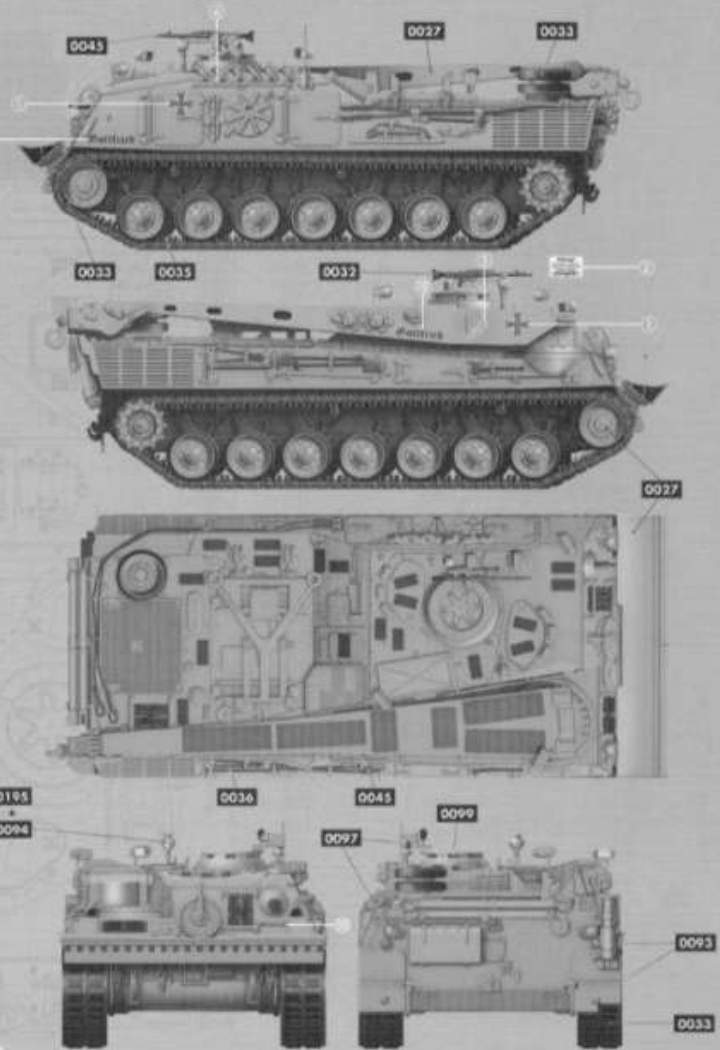
1 GENERAL WASH AMMO-1008 (Brown Wash for Dark Yellow)	2 STREAKING AMMO-1208 Streaking Dye	3 DIRT MARKS AMMO-1208 Streakingbrush Dye	4 MUD AMMO-1701 Clay Sludge	5 OIL AMMO-1702 Tarned Earth
2 FATIGUE AMMO-1011 Brown for Dark Yellow	4 DIRT AMMO-1002 Trucks Wash	4 DIRT AMMO-3010 Concrete	5 SPLASHES AMMO-1408 Fuel Stains	10 OIL AMMO-1408 Fresh Engine Oil

Painting and Marking Guide

TAKOM Ref: 2135

Bergepanzer 2 A2

Provisional Rekonstruktion, Teiler Kunduz, Feldlager Kunduz, Kunduz Province, Afghanistan, 2011



WEATHERING STEPS WITH AMMO PRODUCTS

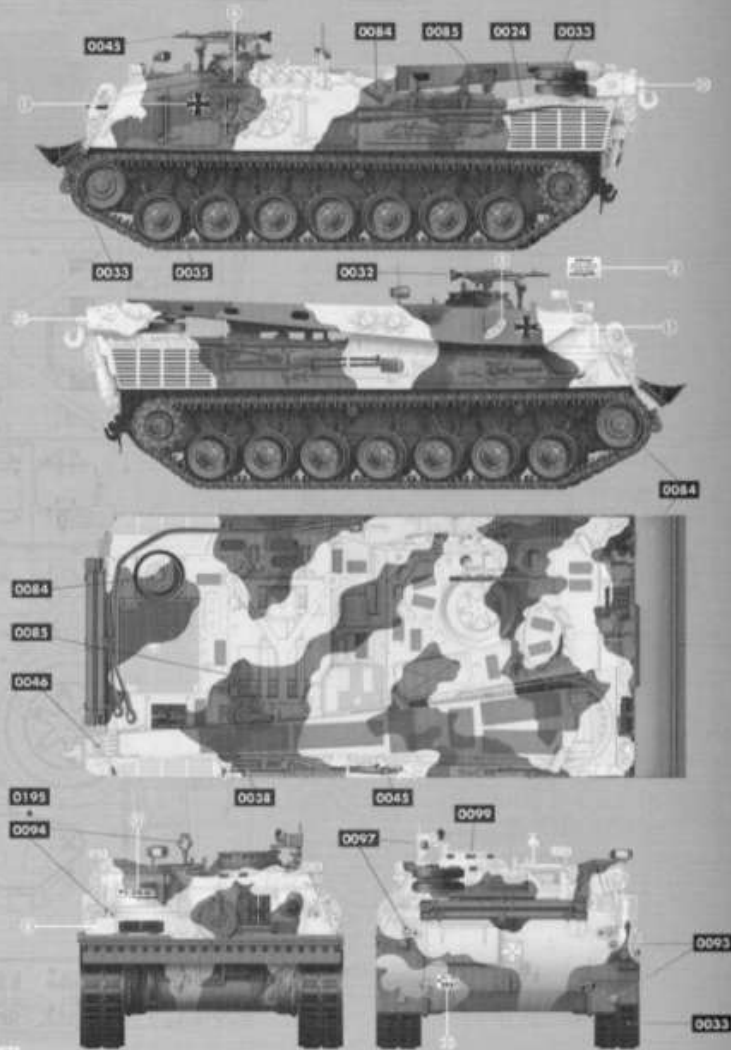
1 CONTROL WASH A.MIG-1000 Dark Wash	3 STEAKING A.MIG-1282 Stealing Green	5 DAMAGING A.MIG-1258 StealingGreen Dust	7 IRON A.MIG-1702 Tarned Earth	9 DIRT A.MIG-1488 Fresh Engine Oil
2 FILTER A.MIG-1506 Brown for Dark Green	4 WASHING A.MIG-1401 Light Wash	6 DIRT A.MIG-2011 Ashed Dust	8 SPLASHES A.MIG-1751 Dry Sludge	10 IRON A.MIG-1488 Fresh Engine Oil

Painting and Marking Guide

TAKOM Ref: 2135

Bergepanzer 2 A2

Winterschlauflage



WEATHERING STEPS WITH AMMO PRODUCTS

1 CONTROL WASH A.MIG-1000 Dark Wash	3 STEAKING A.MIG-1282 Dark Stealing Green	5 DAMAGING A.MIG-1258 StealingGreen Dust	7 IRON A.MIG-1704 Heavy Earth	9 DIRT A.MIG-1488 Fresh Engine Oil
2 FILTER A.MIG-1506 Brown for Dark Green	4 TRACKS WASH A.MIG-1982 Tracks Wash	6 DIRT A.MIG-2004 Damp Earth	8 SPLASHES A.MIG-1751 Tarned Oil	10 IRON A.MIG-1488 Fresh Engine Oil