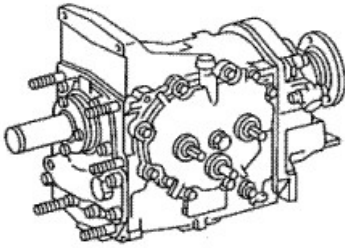
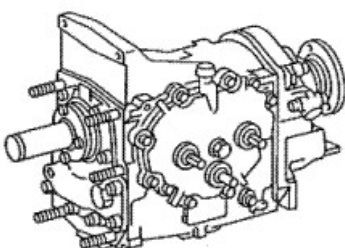
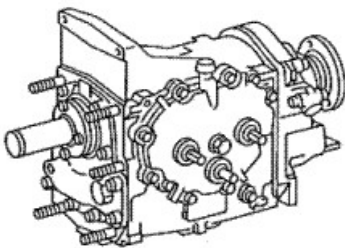
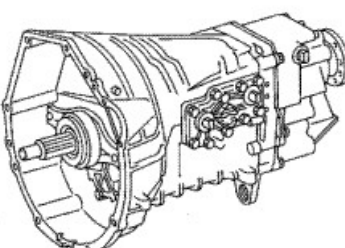
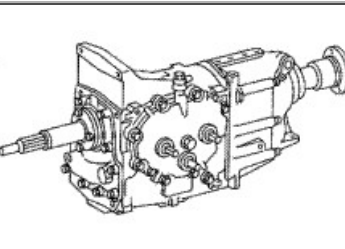
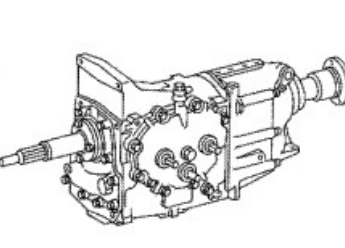
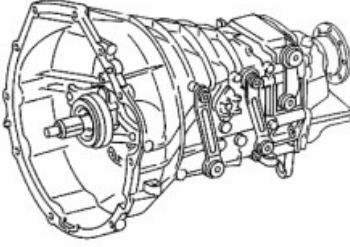
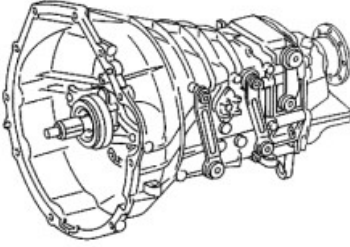
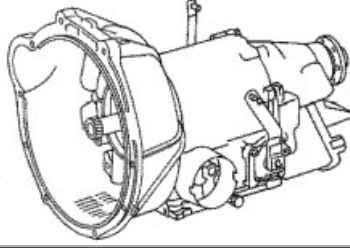
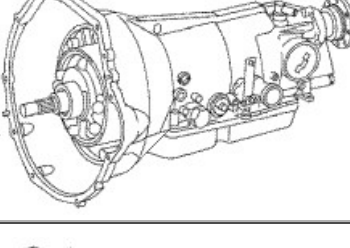
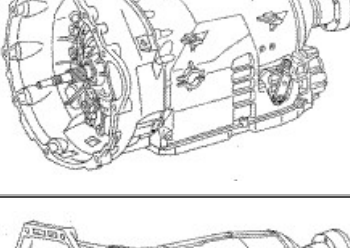
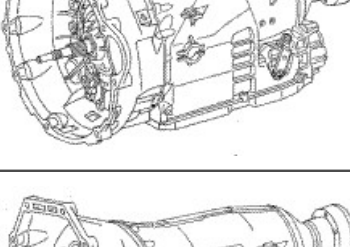
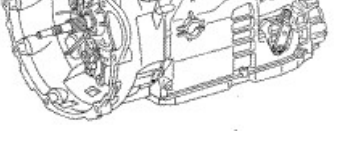


Gelaendewagen transmissions 1979 - 2003

[transmission repair manuals available](#)

	Designation Model Gears 1st gear 2nd gear 3rd gear 4th gear reverse	G1/17-4 711.200 711.202 manual-4 4,628 2,46 1,473 1 4,348	Used for 240GD, 300GD and 230G, gear box: cast alloy bell housing interchangeable
	Designation Model Gears 1st gear 2nd gear 3rd gear 4th gear reverse	G1/18-4 711.1 manual-4 4,403 2,46 1,473 1 4,348	Used for some 460 280 GE, gear box: cast alloy bell housing interchangeable
	Designation Model Gears 1st gear 2nd gear 3rd gear 4th gear reverse	G1/18-4 711.101 manual-4 4,043 2,206 1,381 1 3,787	Used for some 460, like 280 GE, gear box: cast alloy bell housing interchangeable
	Designation Model Gears 1st gear 2nd gear 3rd gear 4th gear 5th gear reverse	GL 275 717.420 manual-5 3,822 2,199 1,398 1 0,813 3,705	5-speed by Getrag, used for all 460, one piece gear box and bell housing, alloy
	Designation Model Gears 1st gear 2nd gear 3rd gear 4th gear 5th gear reverse	G1/18-5/4,7 711.117 manual-5 4,695 2,401 1,436 1 0,806 4,078	5-speed by Mercedes, installed in some 461 similar to G1/18 additional 5th gear sealed for water fording bell housing interchangeable
	Designation Model Gears 1st gear 2nd gear 3rd gear 4th gear 5th gear reverse	G1/18-5/6,15 711.116 manual-5 6,157 3,148 1,743 1,278 1 5,347	5-speed by Mercedes, installed in 461 (G250, G290), 461 running gear, and 461 military version. similar to G1/18 additional granny 1st gear bell housing interchangeable First choice for off- road use!

	Designation Model Gears 1st gear 2nd gear 3rd gear 4th gear 5th gear reverse	GL 76/27 K-5 717.439 manual - 5 3,856 2,182 1,365 1 0,799 4,218	5-speed by Getrag, installed in 460, 461, 463, one piece gear box and bell housing, alloy
	Designation Model Gears 1st gear 2nd gear 3rd gear 4th gear 5th gear reverse	GL 76/33 K-5 717.436 manual - 5 4.905 2.716 1.817 1.261 1.0 4,625	5-speed by Getrag, installed in 460, 461, 463, one piece gear box and bell housing, alloy
	Designation Model Gears 1st gear 2nd gear 3rd gear 4th gear reverse torque converter	W4A018 720.1 Automatic-4 4,007 2,392 1,436 1 5,495 i=1.84	"Old" Mercedes 4-speed automatic, used in all older 460
	Designation Model Gears 1st gear 2nd gear 3rd gear 4th gear reverse torque converter	W4A028 722.394 722.396 Automatic-4 3,871 2,247 1,436 1 5,586 i=1.96	"New" Mercedes 4-speed automatic used in all 461 and early 463
	Designation Model Gears 1st gear 2nd gear 3rd gear 4th gear 5th gear reverse torque converter	W5A330 722.610-611 Automatik-5 3,932 2,408 1,486 1 0,83 3,1 i=?? pls help	Mercedes electronic 5-speed automatic, 3 planetary gears used in 463 G 320, G 300 TD etc
	Designation Model Gears 1st gear 2nd gear 3rd gear 4th gear 5th gear reverse torque converter	W5A330 722.630-611 Automatik-5 3,95 2,42 1,486 1 0,831 3,16 i=?? pls help	Mercedes electronic 5-speed automatic 4 planetary gears used in 463 G 320,
	Designation Model Gears 1st gear 2nd gear 3rd gear 4th gear 5th gear reverse torque converter	W5A580 722.630-634 Automatik-5 3,588 2,186 1,405 1 0,831 3,16 i=?? pls help	Mercedes electronic 5-speed automatic 4 planetary gears used in 463 G 270 CDI, G 500, G 55, G 400 CDI

• [all available G manuals](#)

• [460 Workshop Manual DVD](#)

• [463 Workshop Manual DVD](#)

• [Maintenance Manual CD](#)