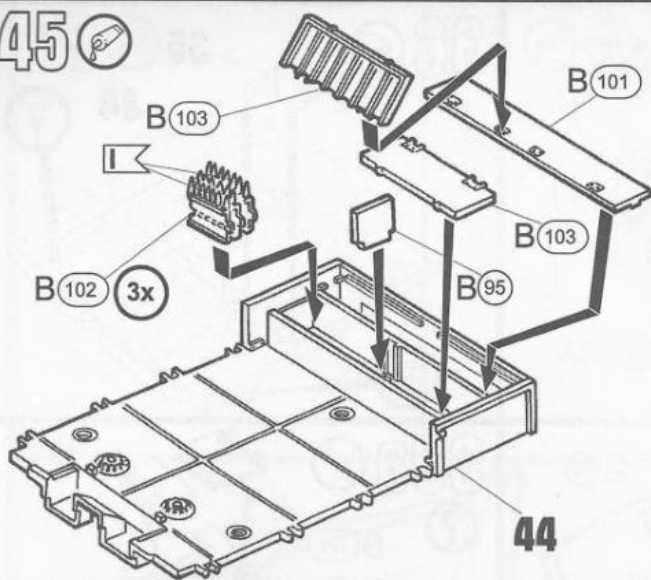
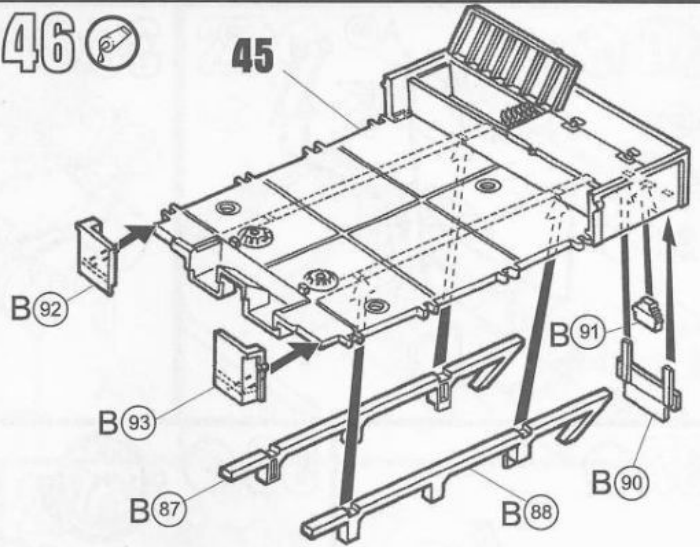


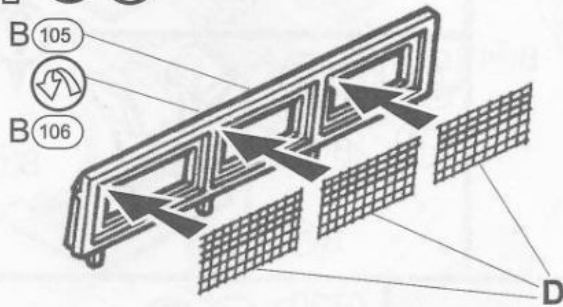
45



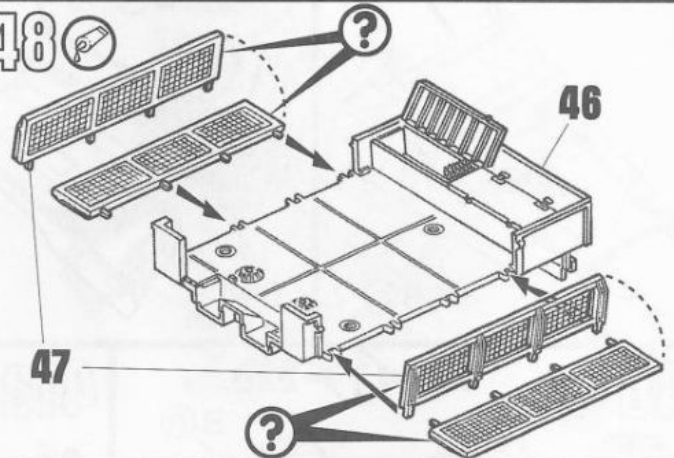
46



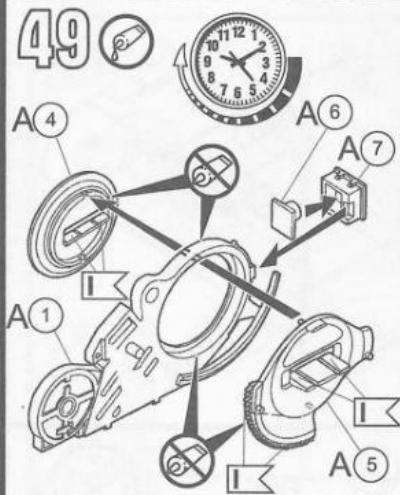
47



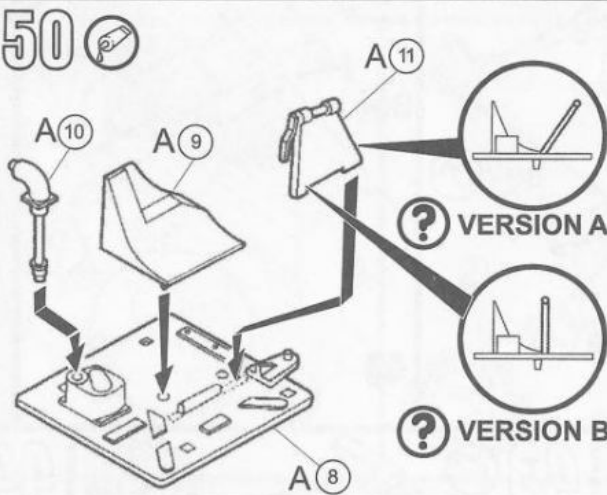
48



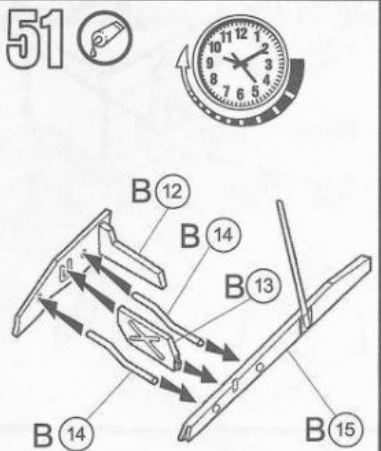
49



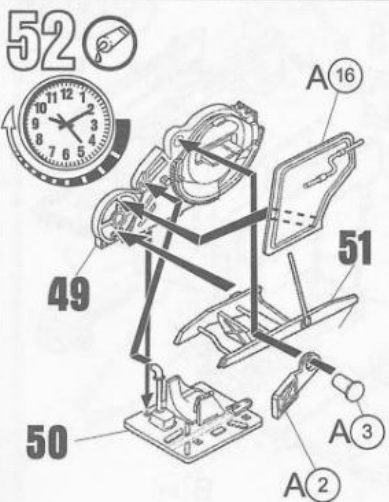
50



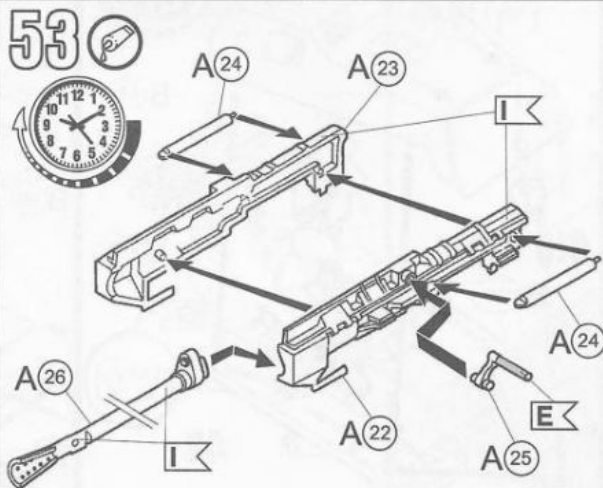
51



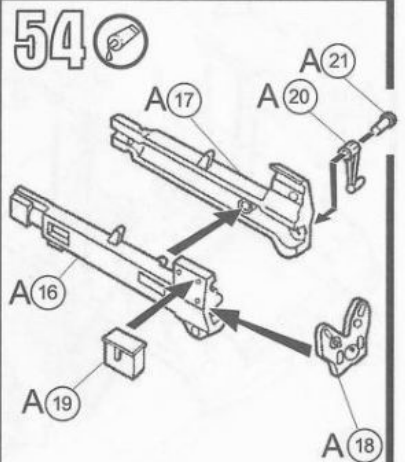
52



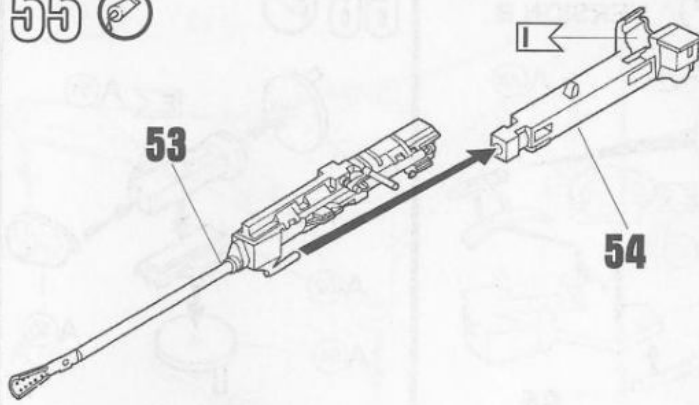
53



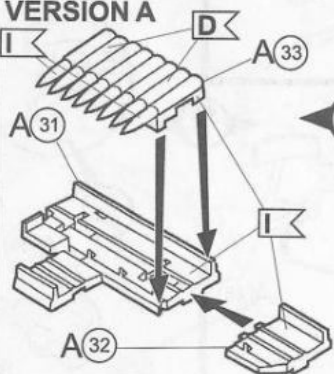
54



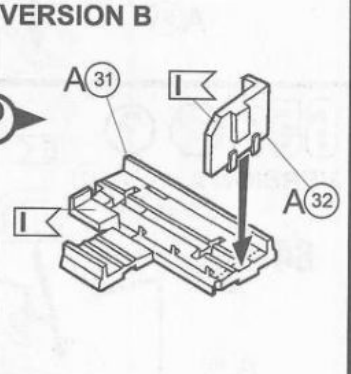
55



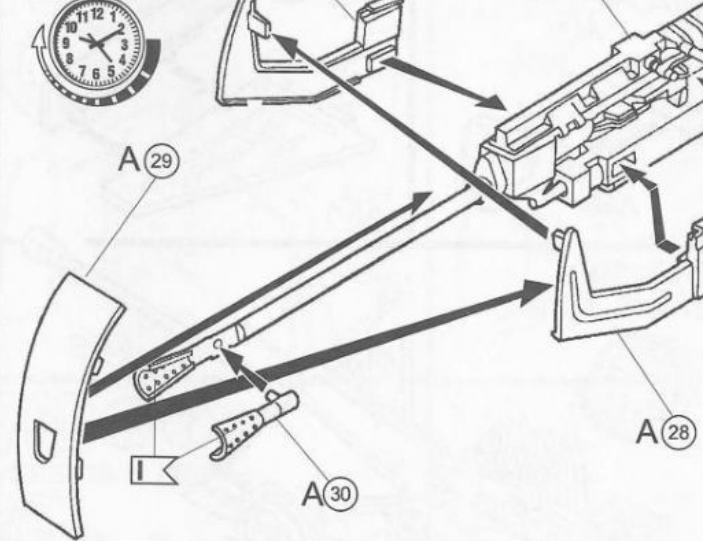
56a



56b



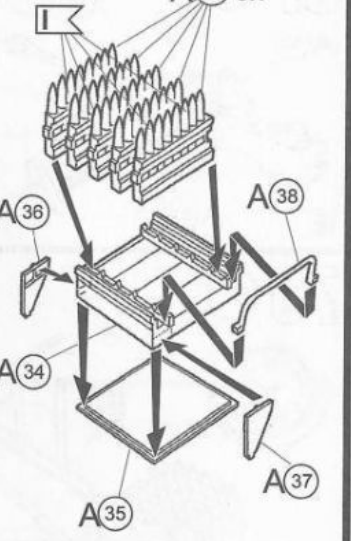
57



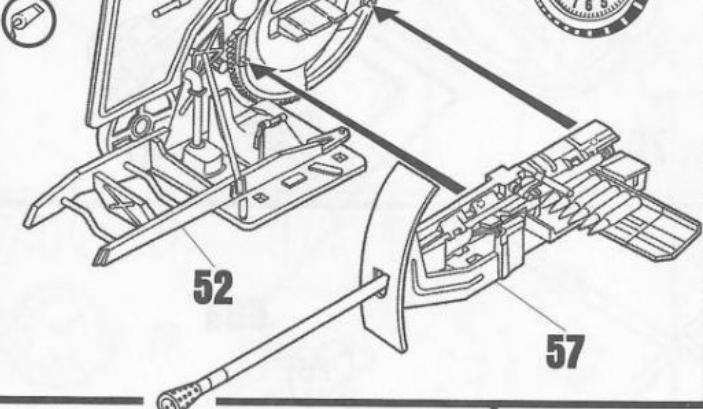
56a VERSION A

56b VERSION B

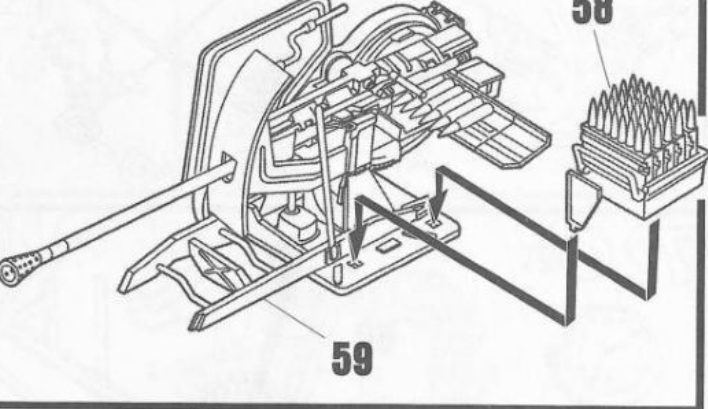
58



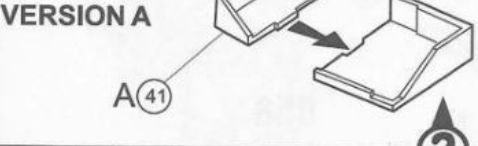
59



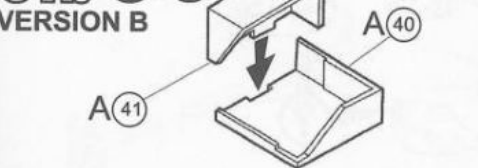
60



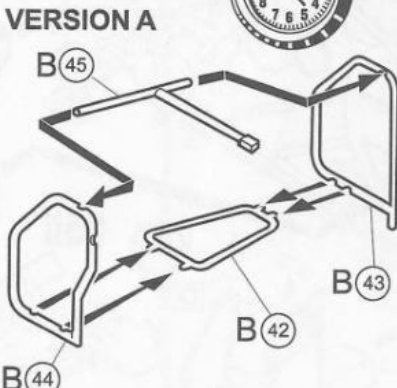
61a



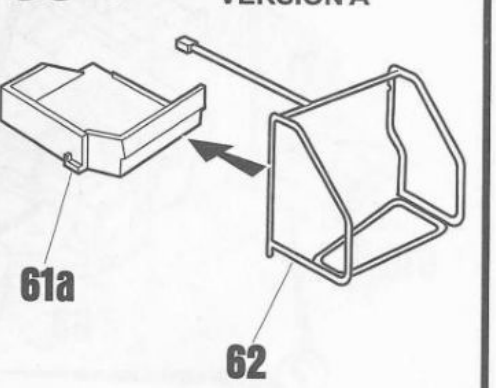
61b

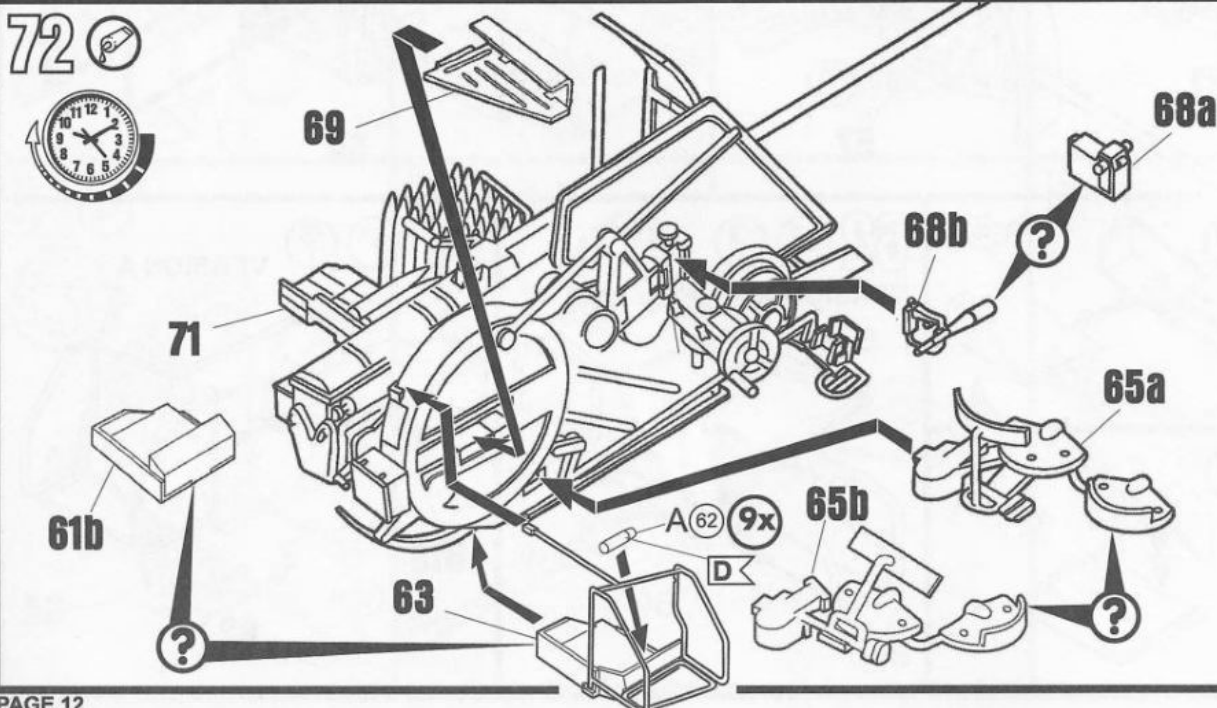
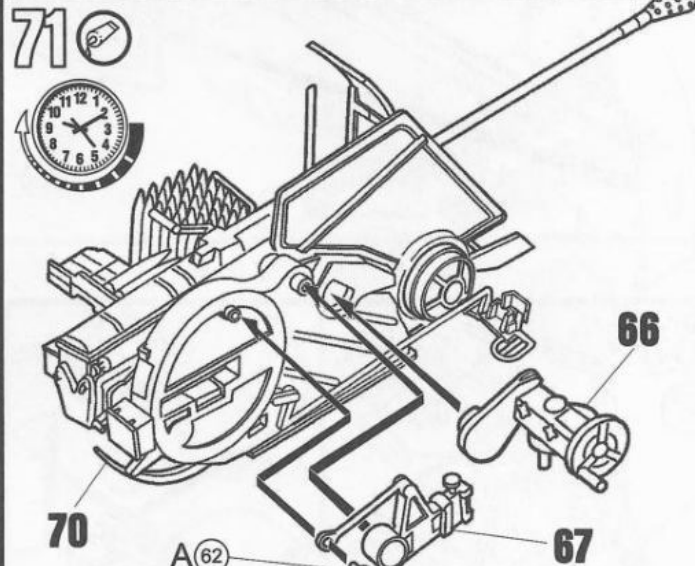
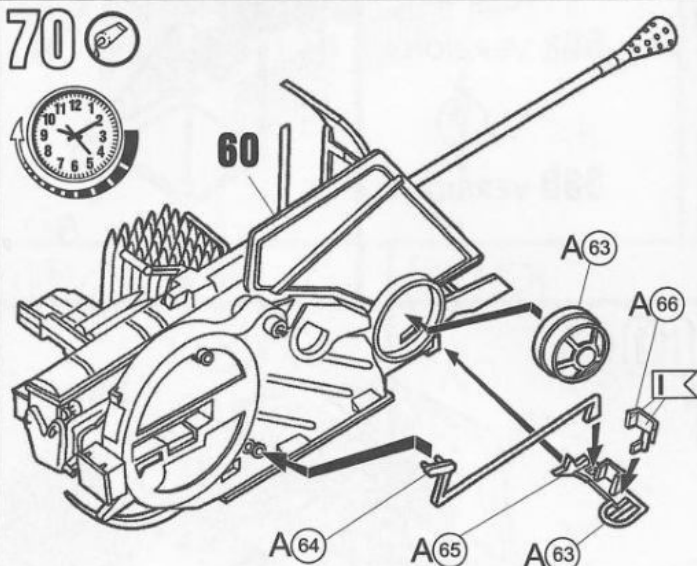
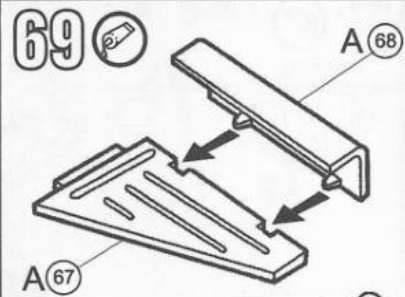
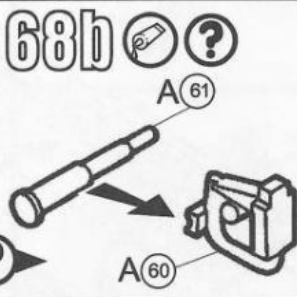
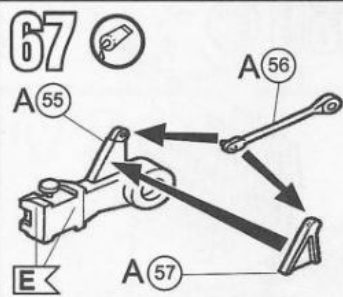
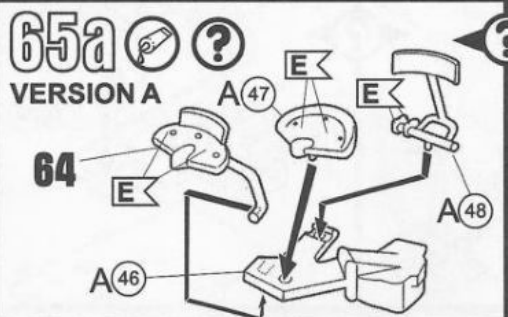
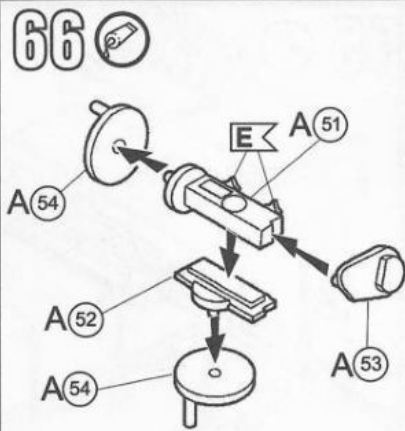
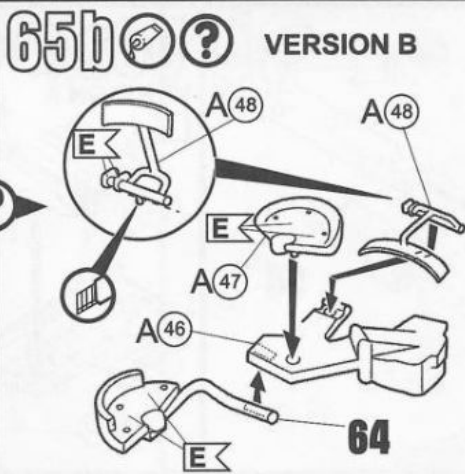
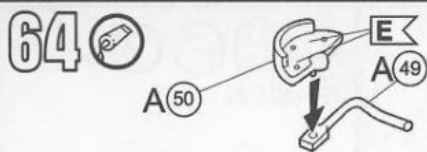


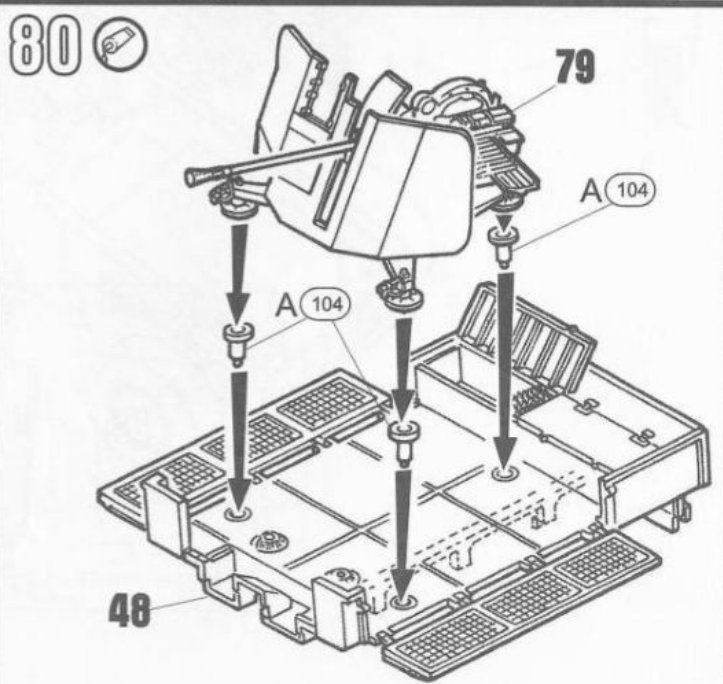
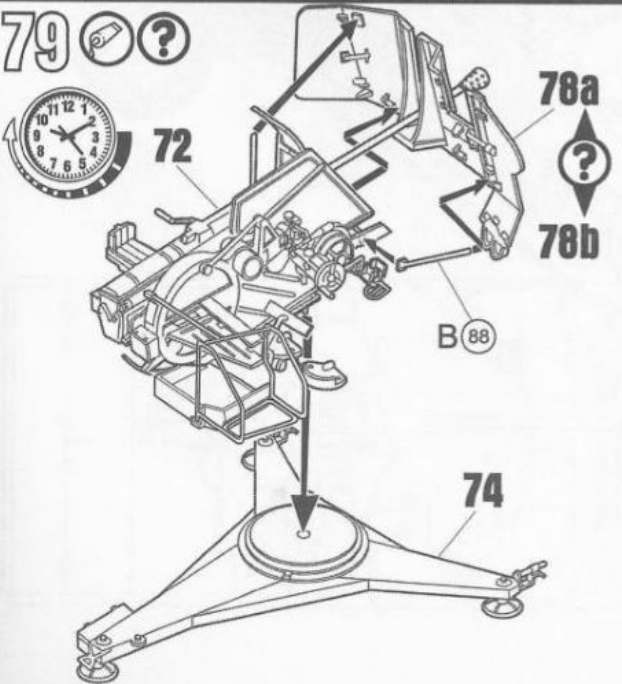
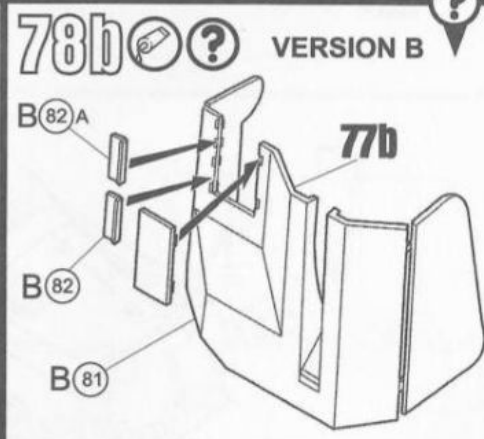
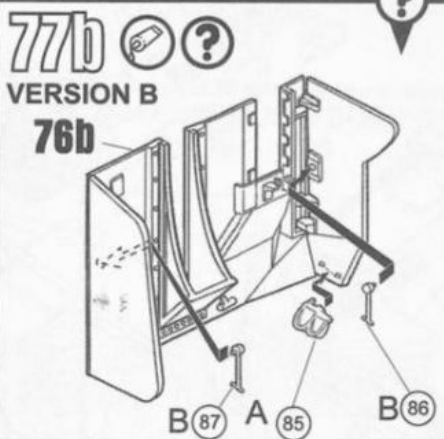
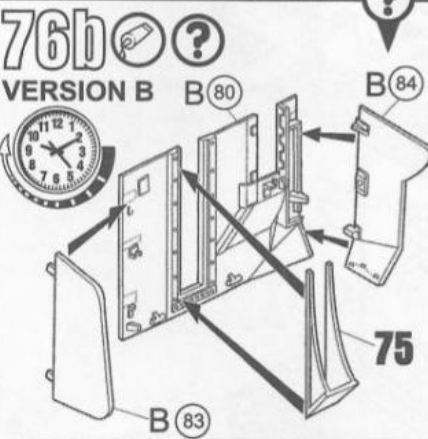
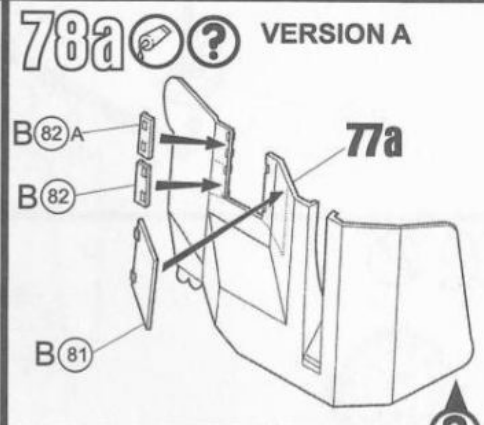
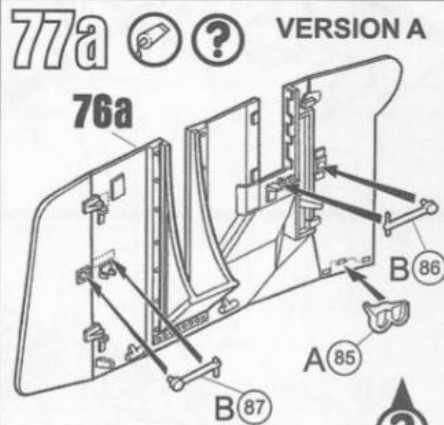
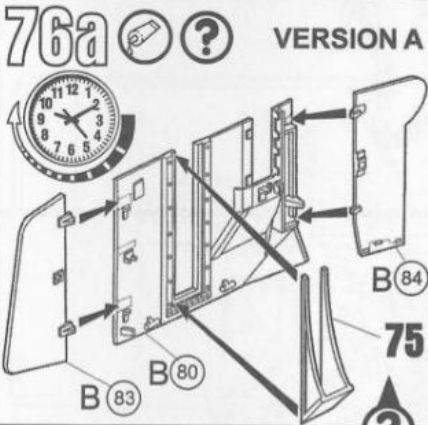
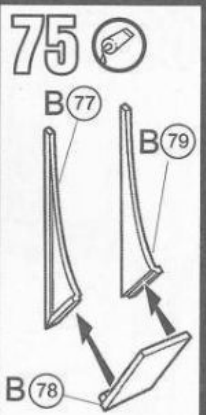
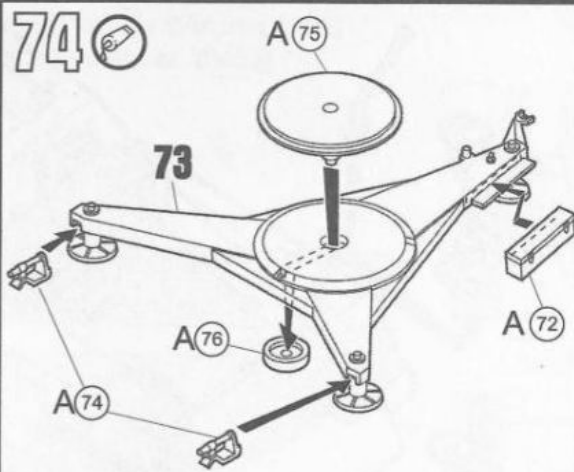
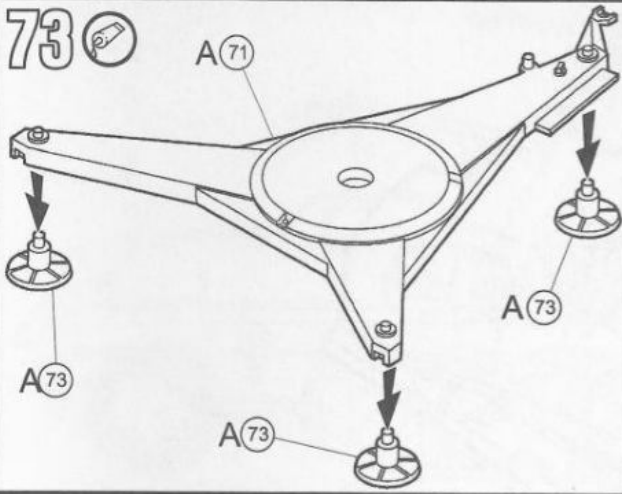
62



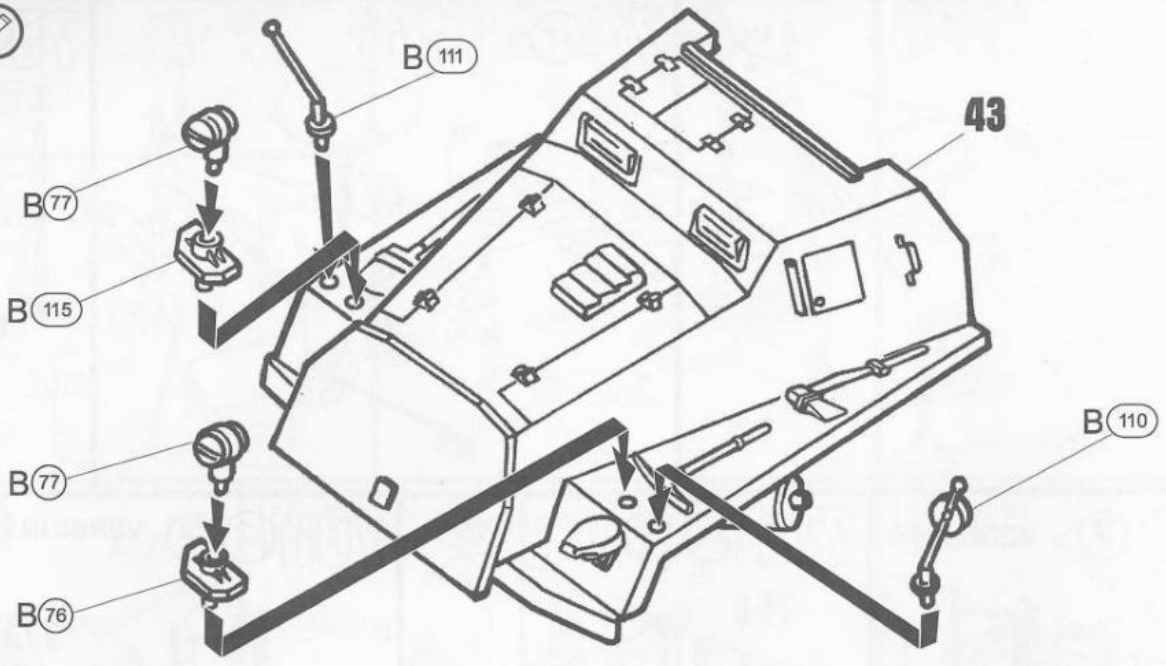
63



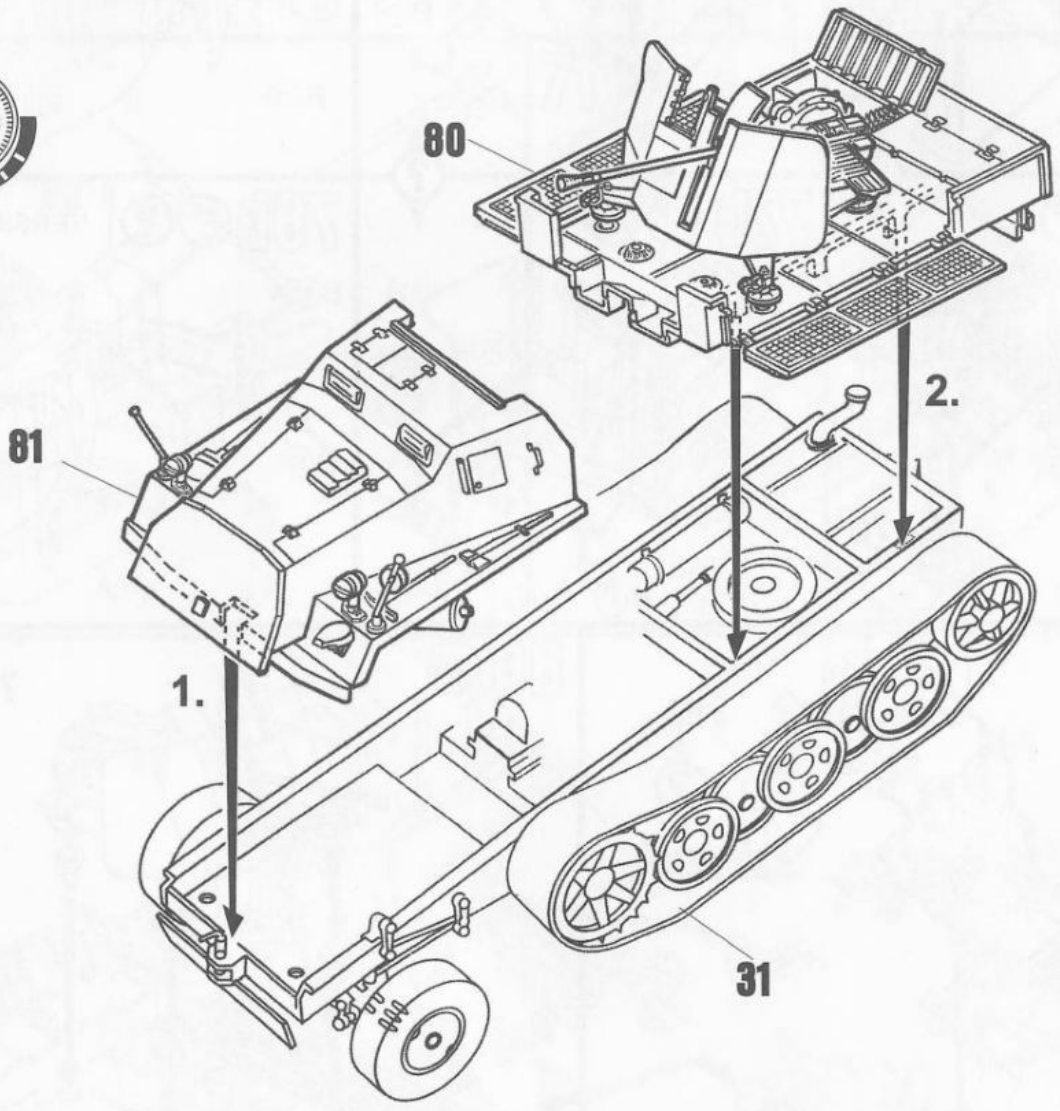




81

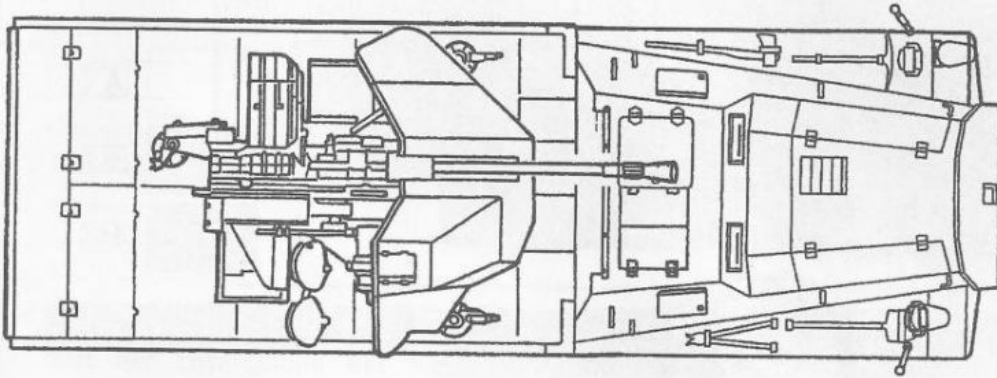
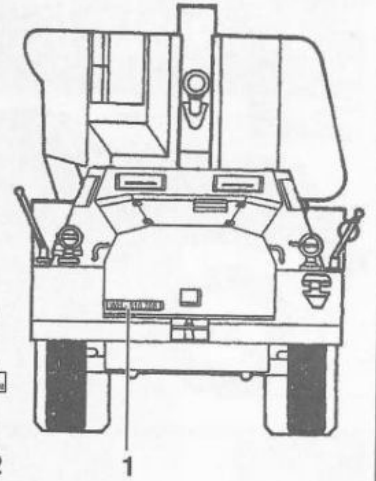
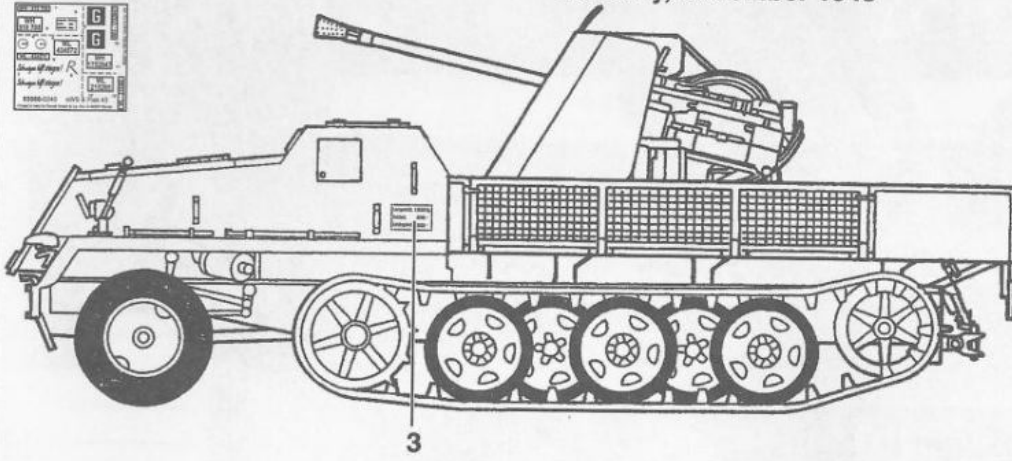


82



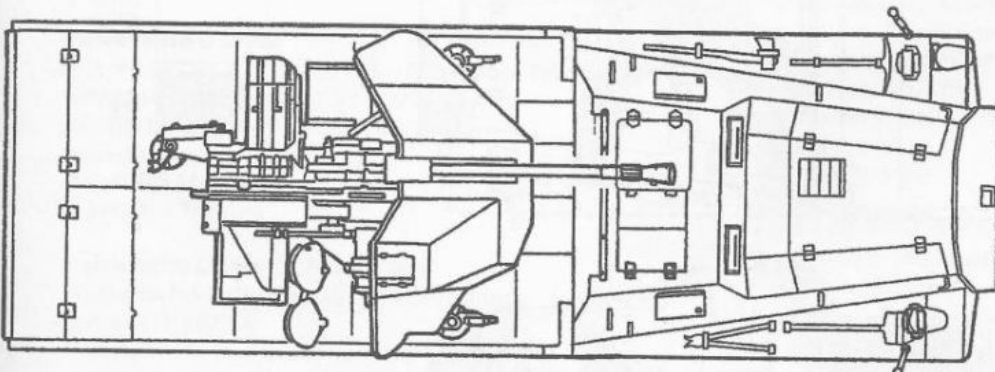
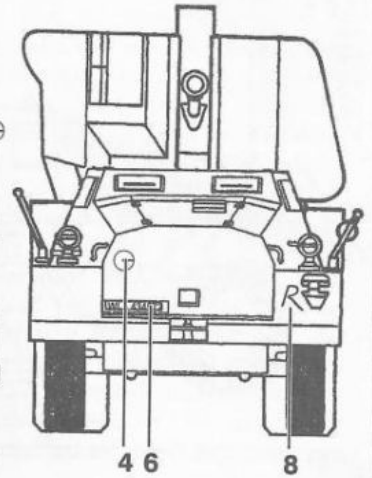
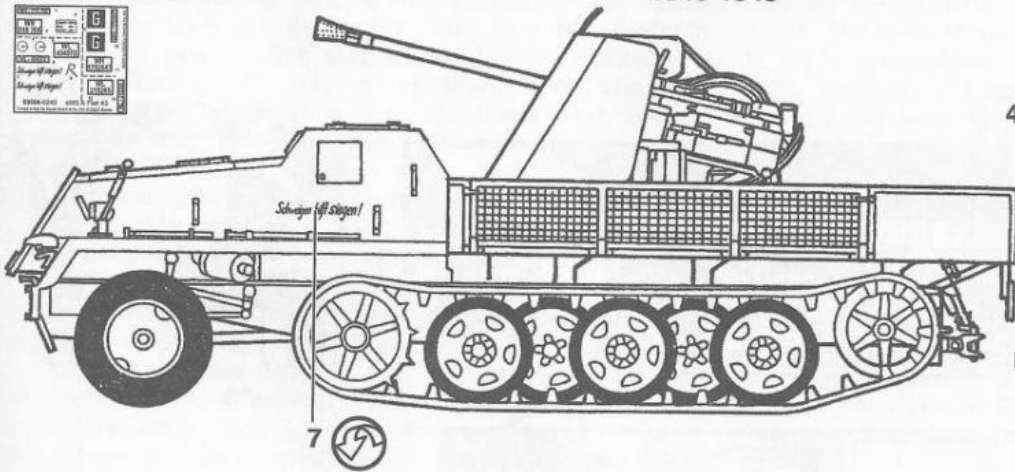
83 ?

1st Production vehicle (by Büssing-NAG)
Germany, December 1943



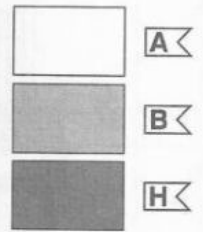
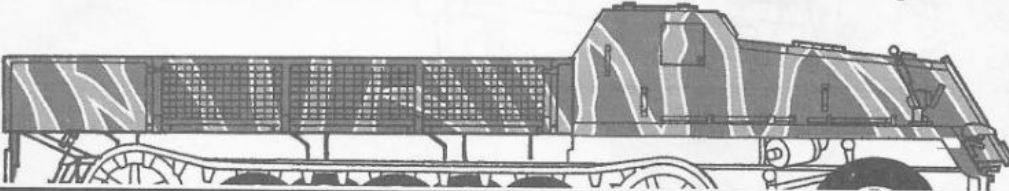
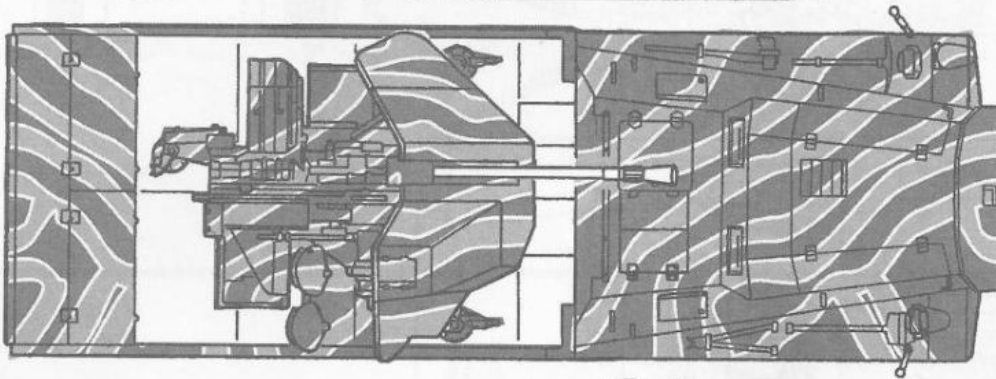
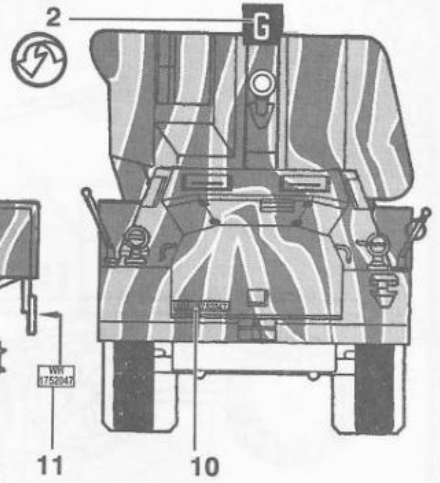
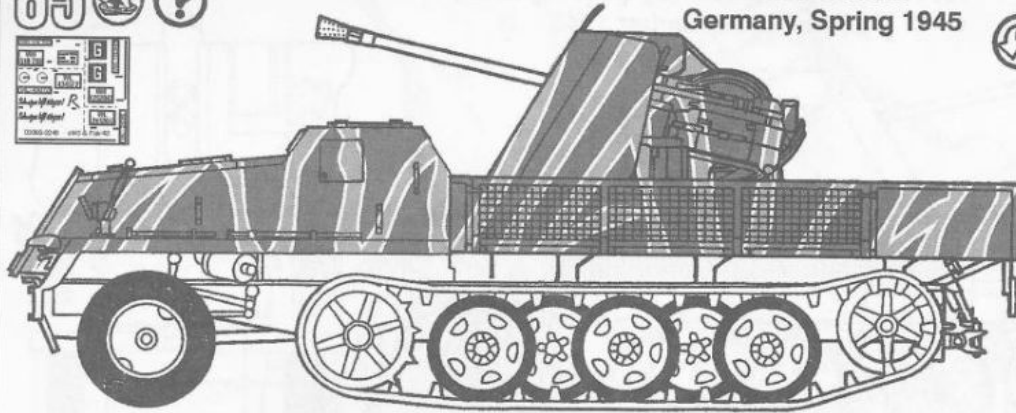
84 ?

Flak Regiment "HERMANN GÖRING" Division
1943-1945



85 ?

Eastern Front
Germany, Spring 1945



86 ?

Ammunition Carrier

