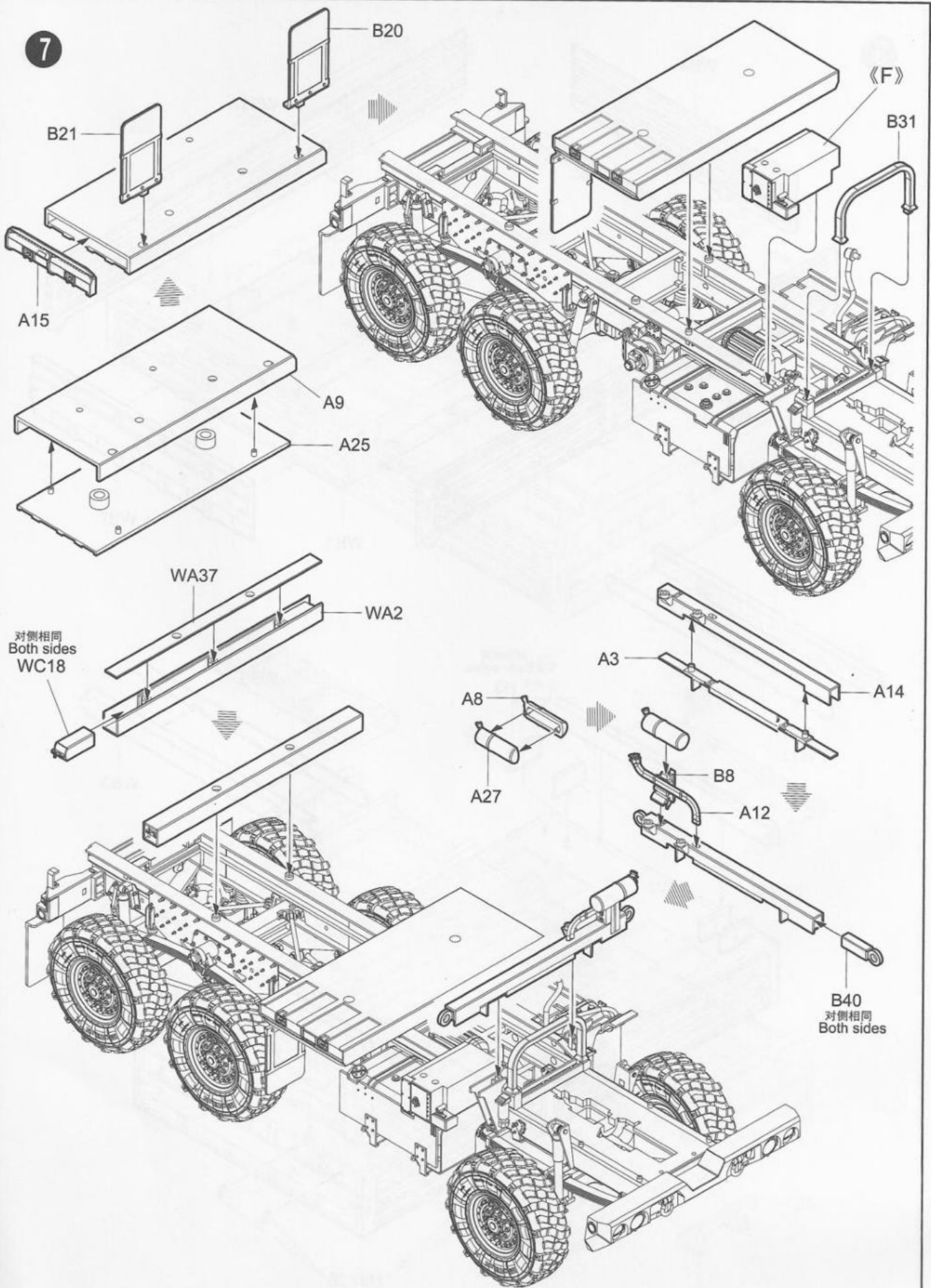


7



B21

B20

《F》

B31

A15

A9

A25

WA37

WA2

对侧相同
Both sides
WC18

A3

A14

A8

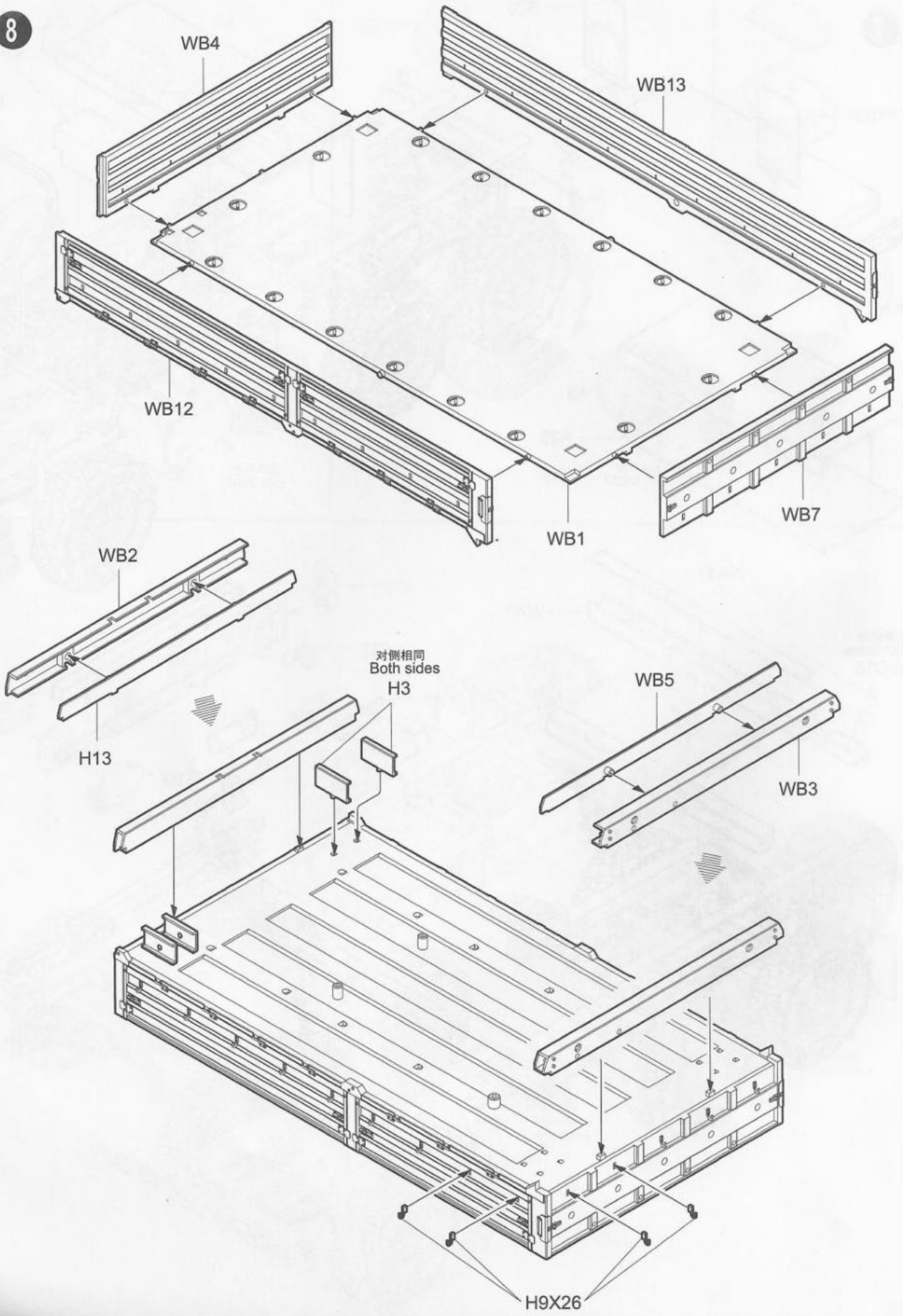
A27

B8

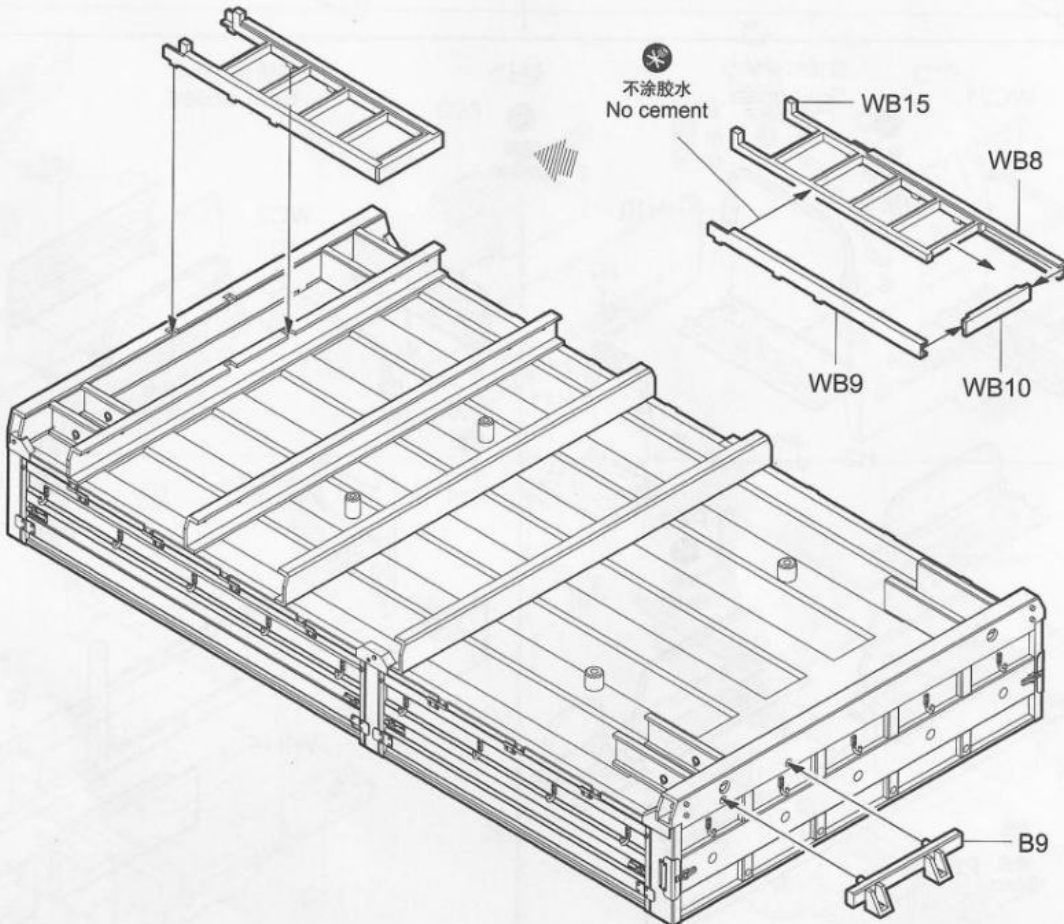
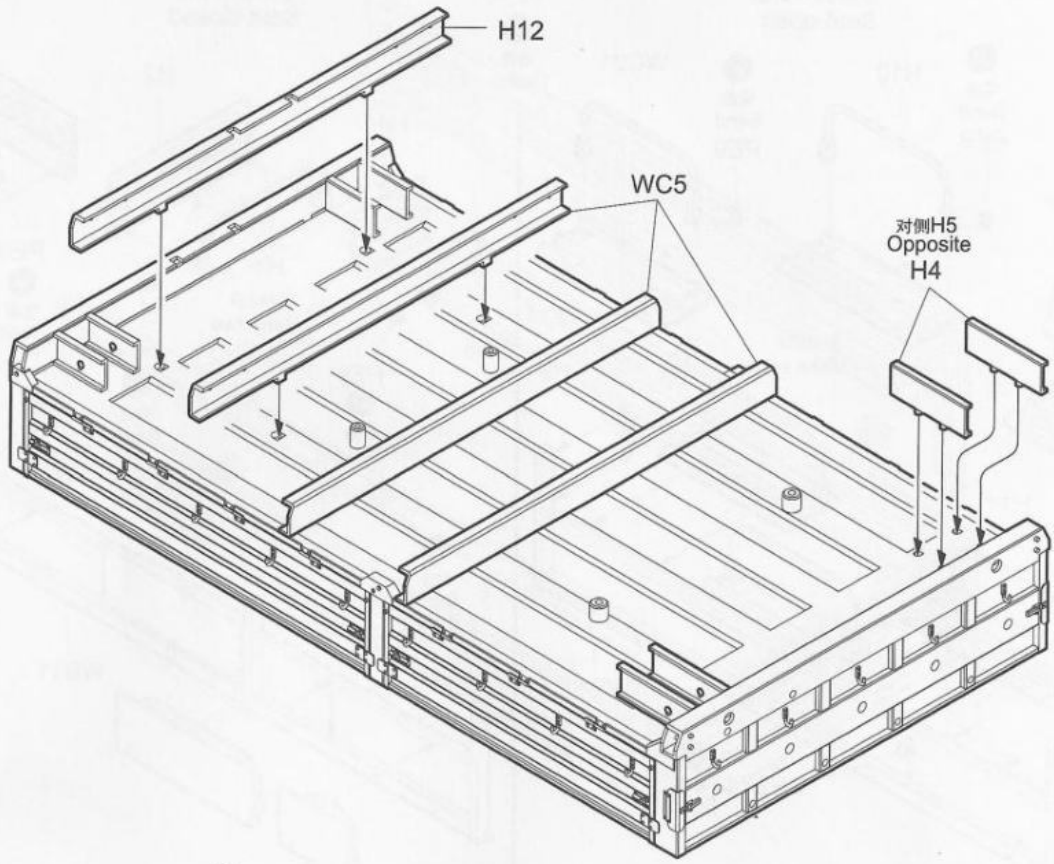
A12

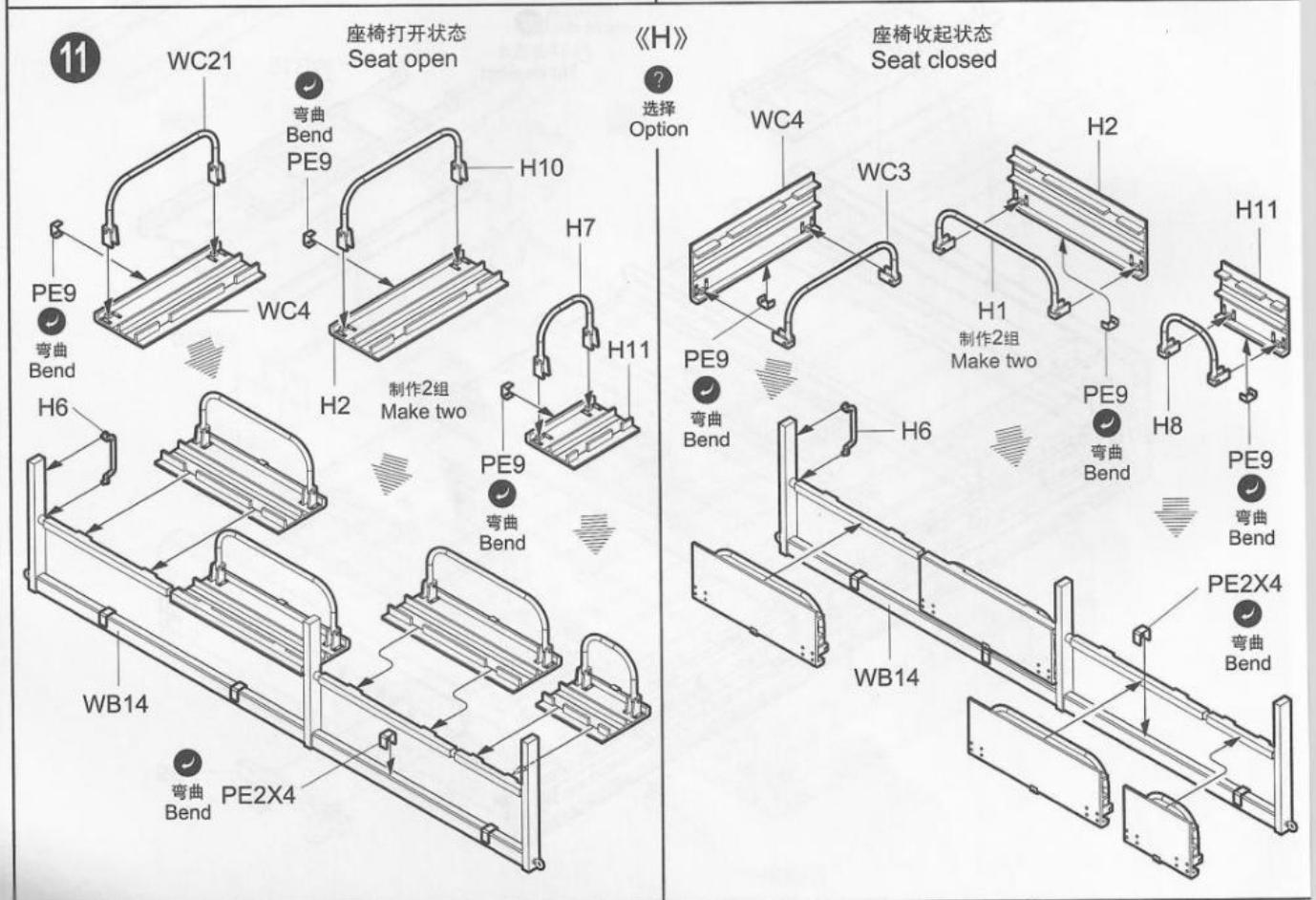
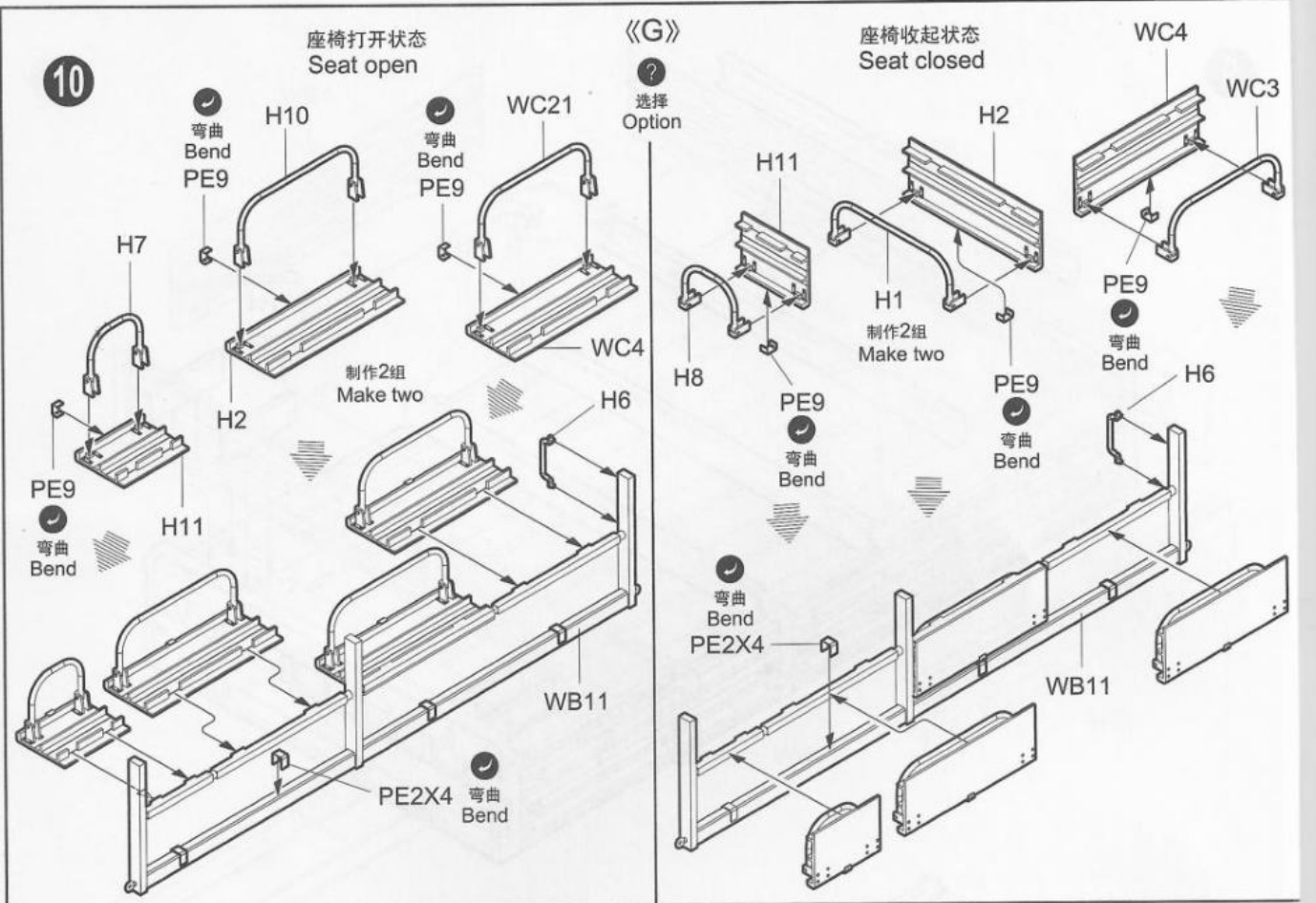
B40
对侧相同
Both sides

8

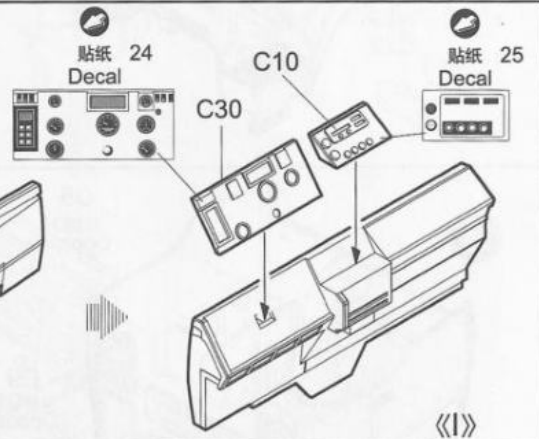
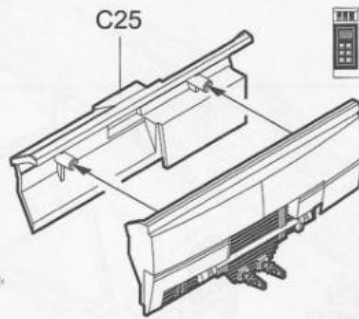
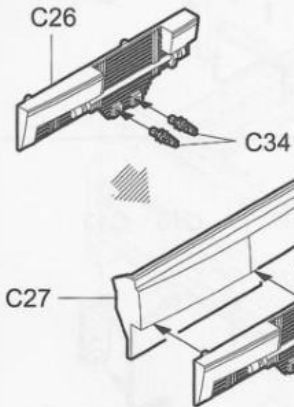
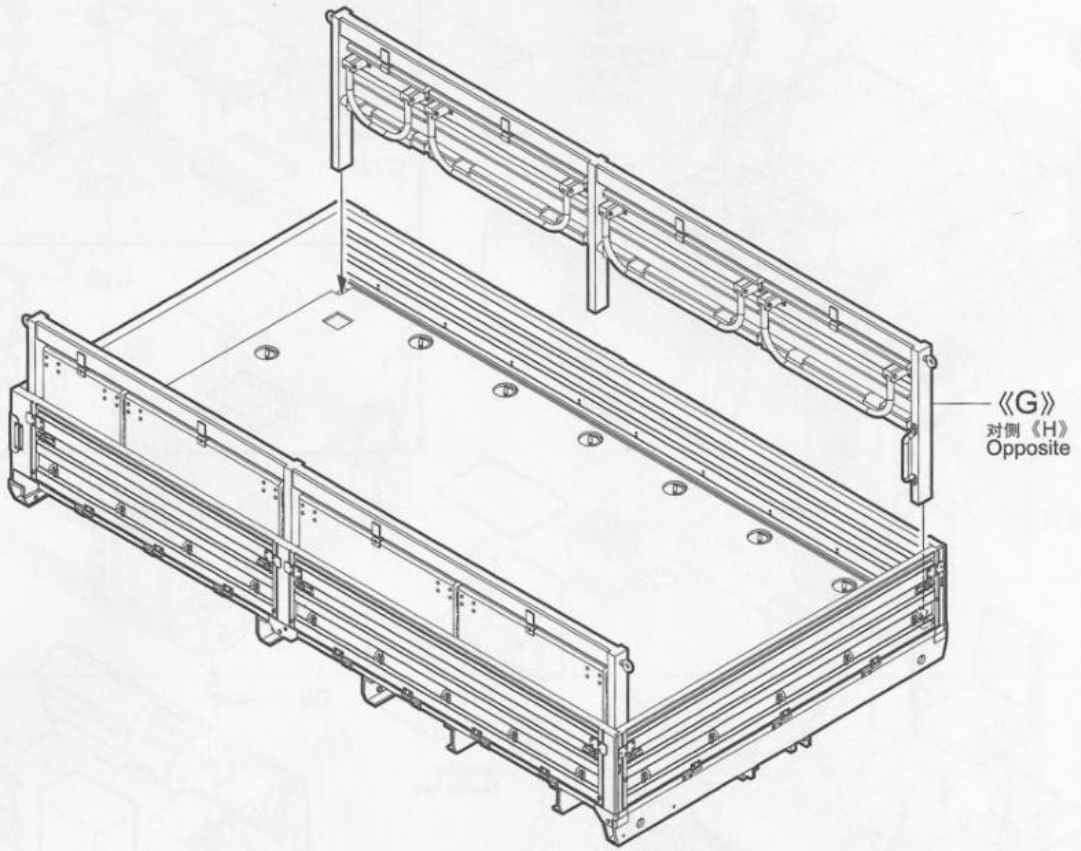


9

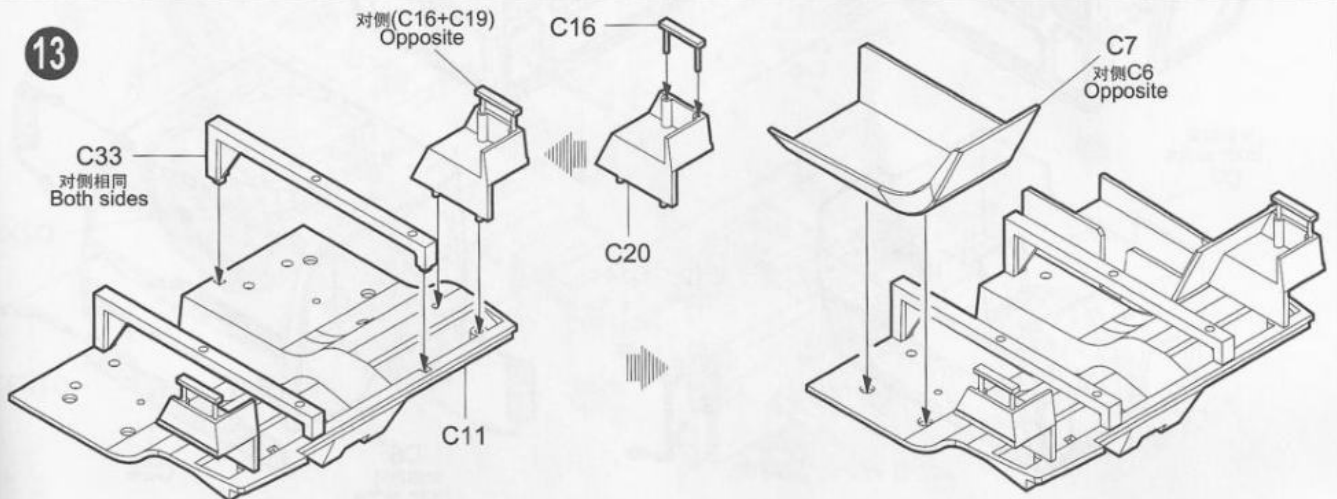




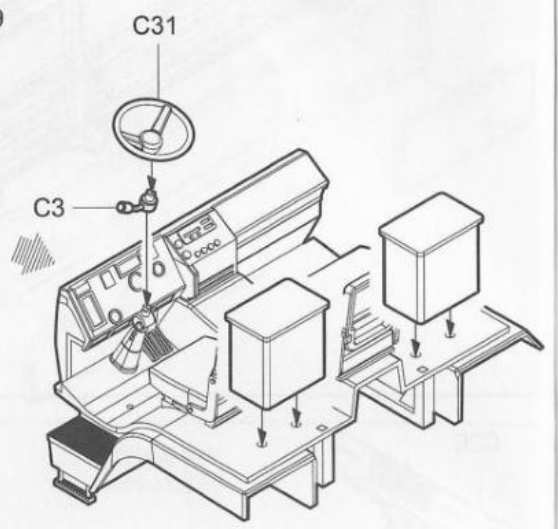
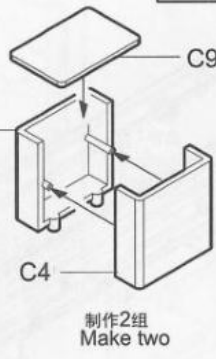
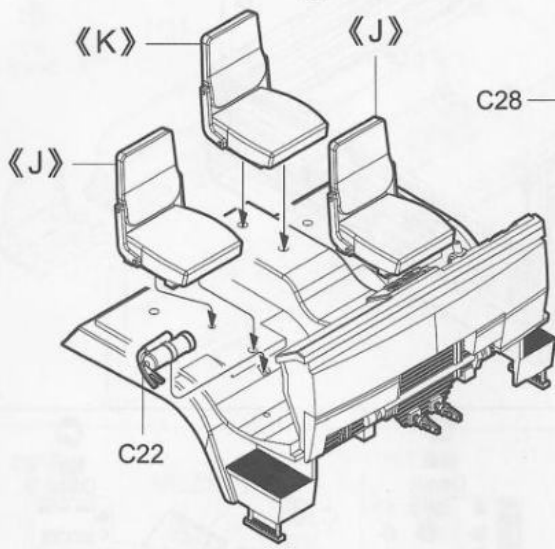
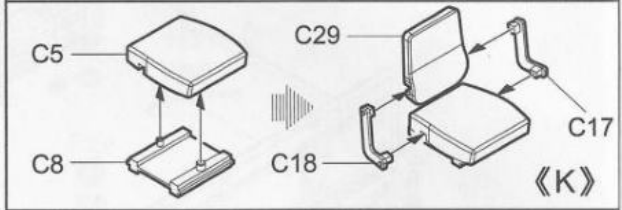
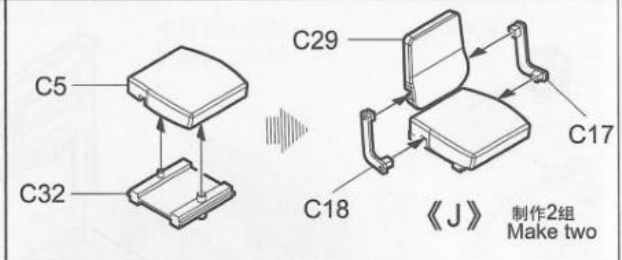
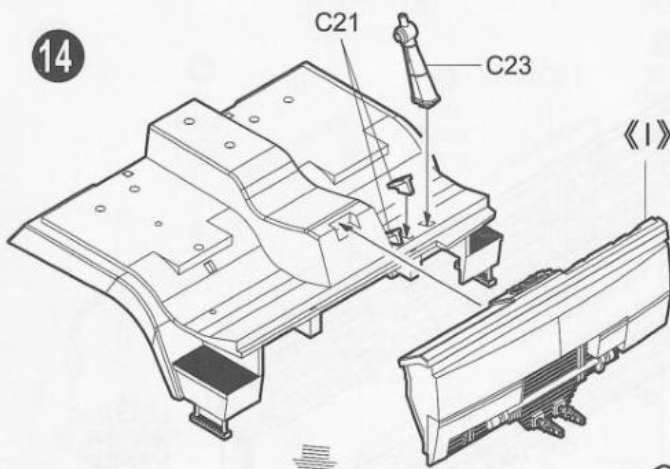
12



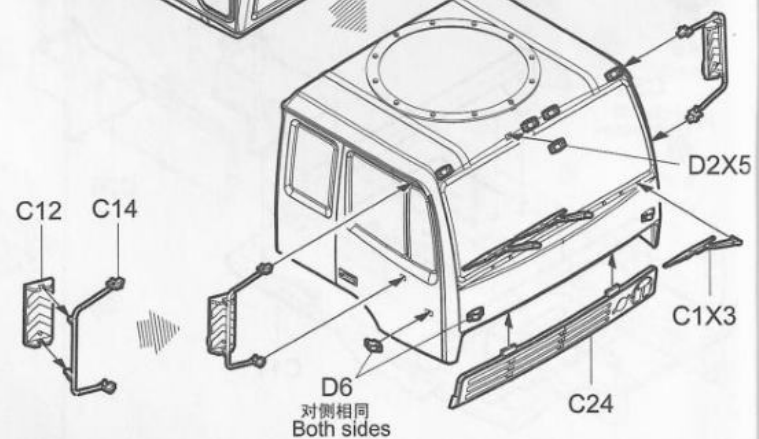
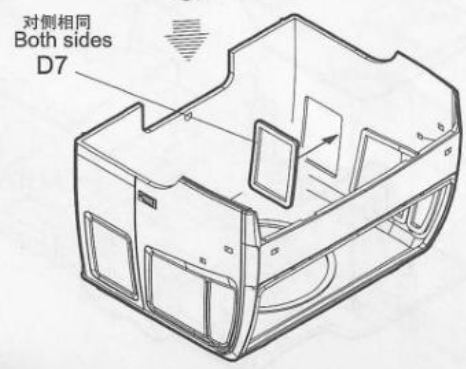
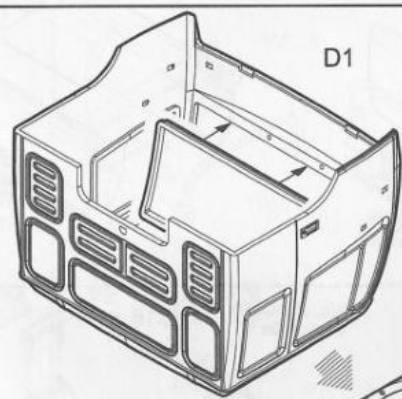
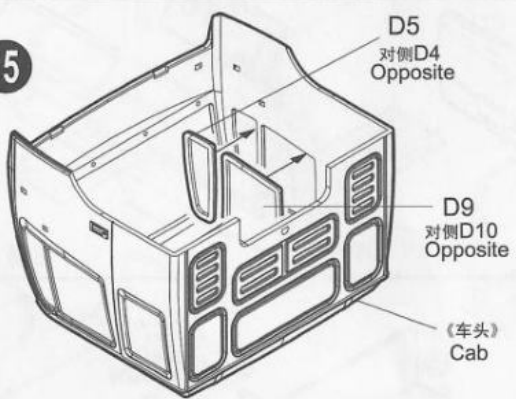
13



14



15



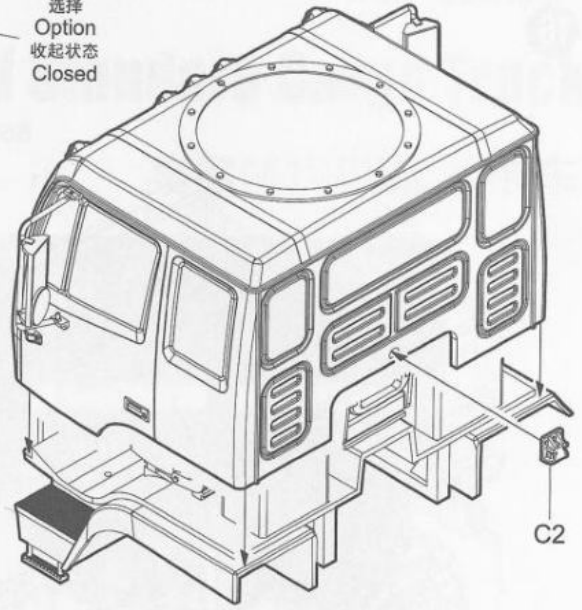
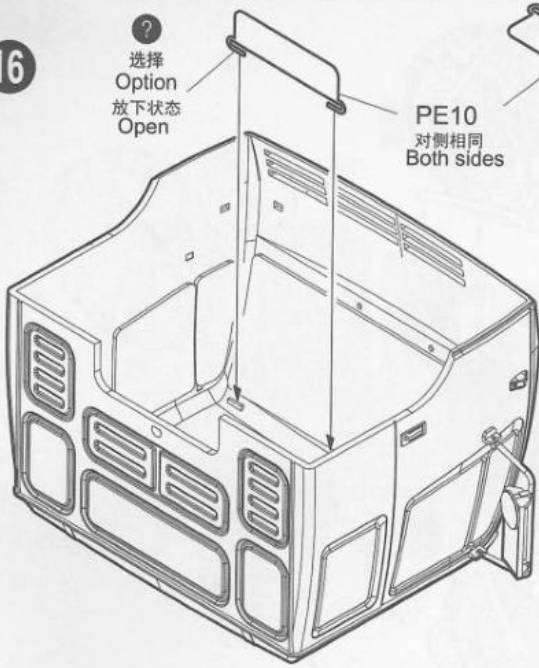
16

选择
Option
放下状态
Open

PE10
对侧相同
Both sides

选择
Option
收起状态
Closed

C2



17

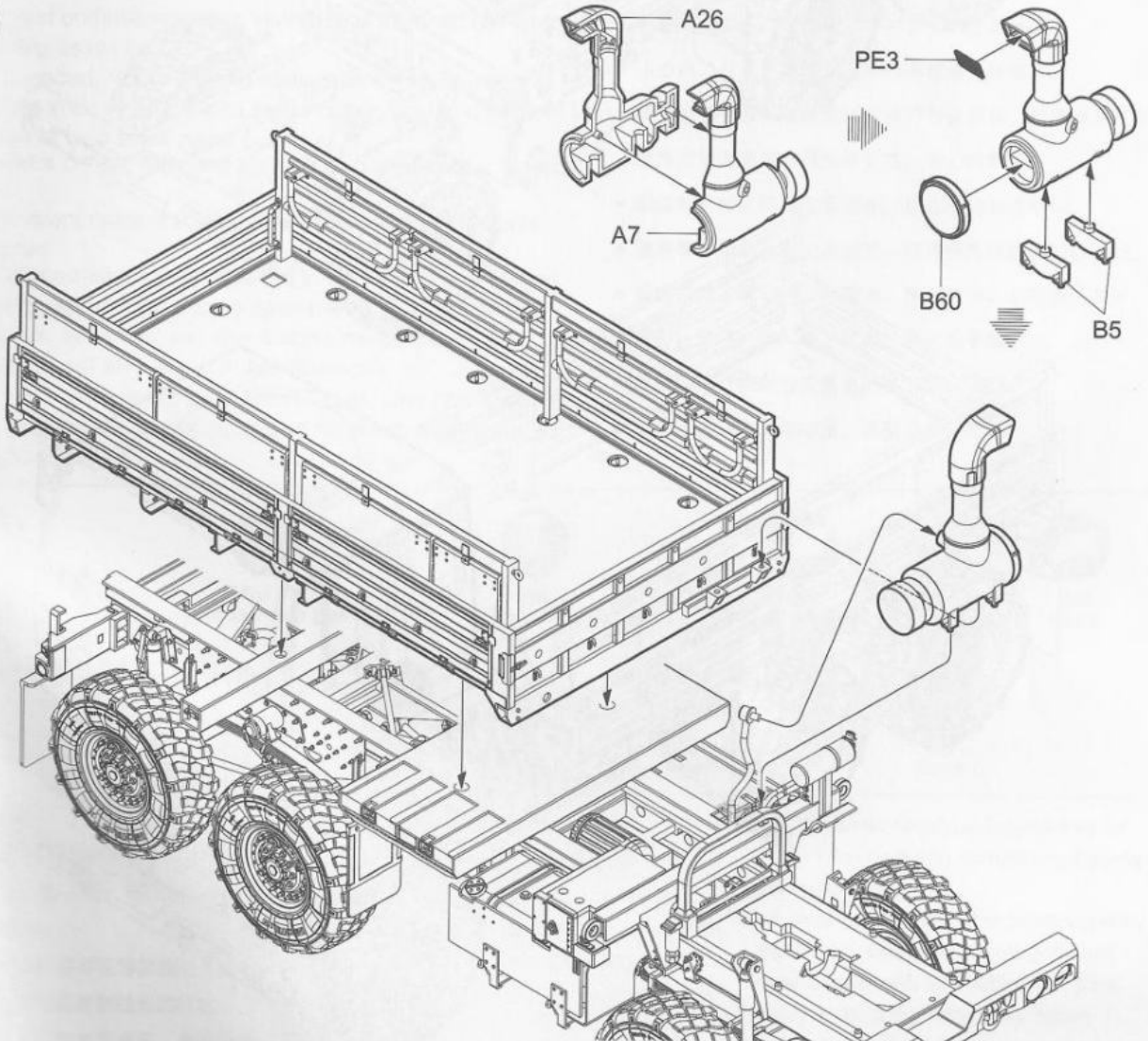
A26

PE3

A7

B60

B5

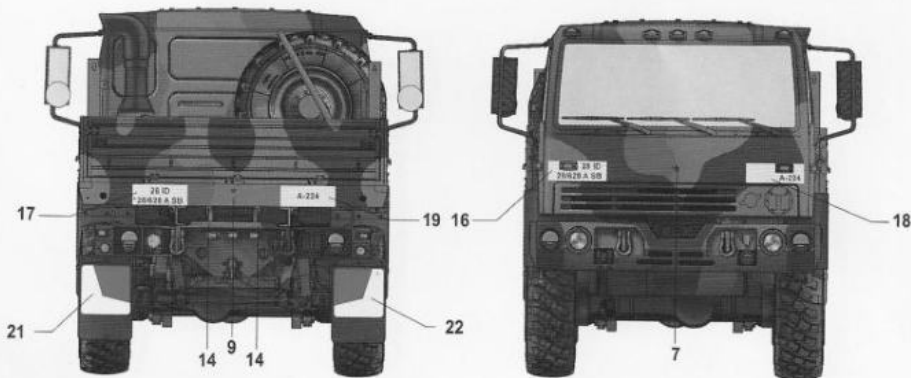
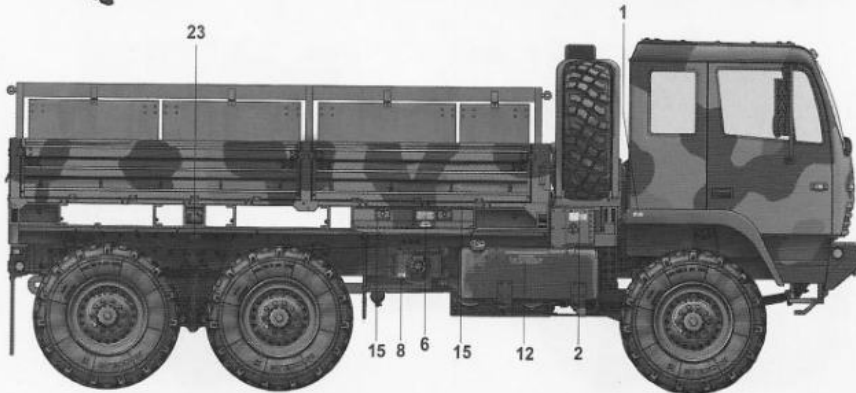
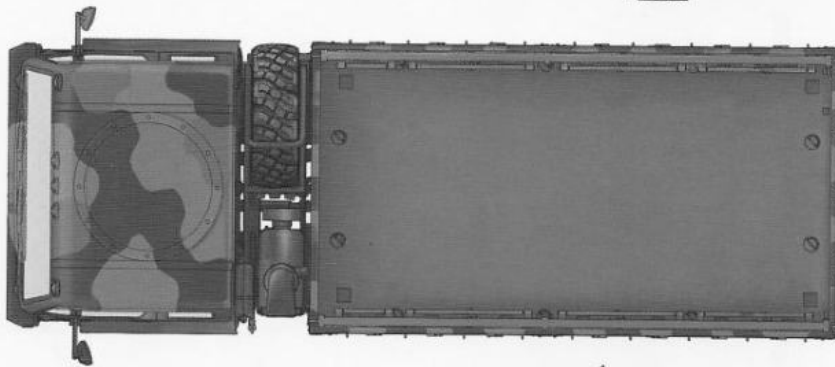
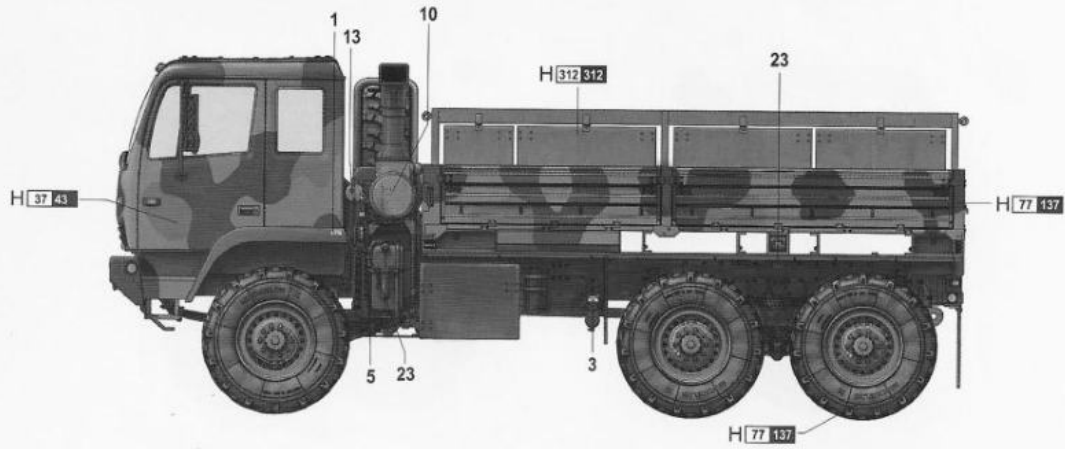


涂装同标贴指示
Painting & Marking guide

PAINT REFERENCE COLOUR

Color	Mr.Hobby	Vallejo	Model Master	Tamiya	Humbrol
Tire Black 胎黑色	H 77 137	-	-	-	-
Light Green 绿色	H 312 312	-	1713	XF20	117
Wood Brown 木棕色	H 37 43	983	1701	-	186

A



H X AQUEOUS HOBBY COLOUR

MR.COLOUR

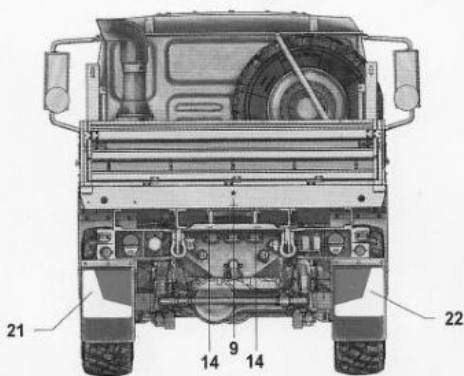
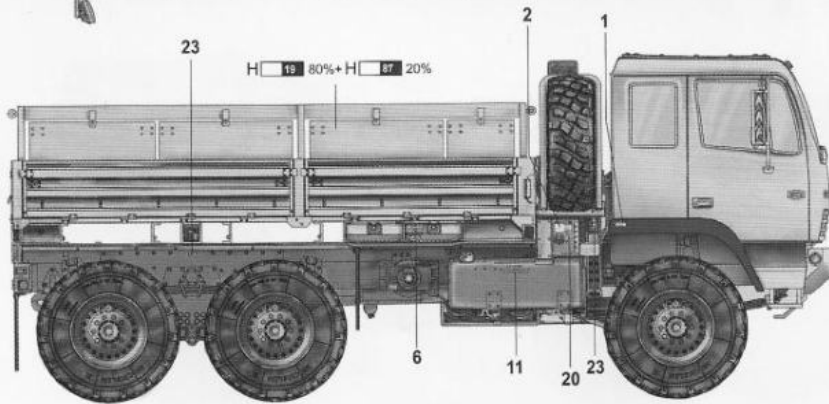
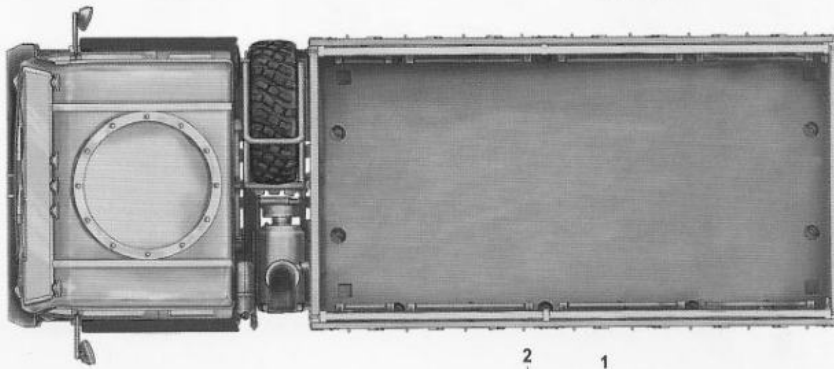
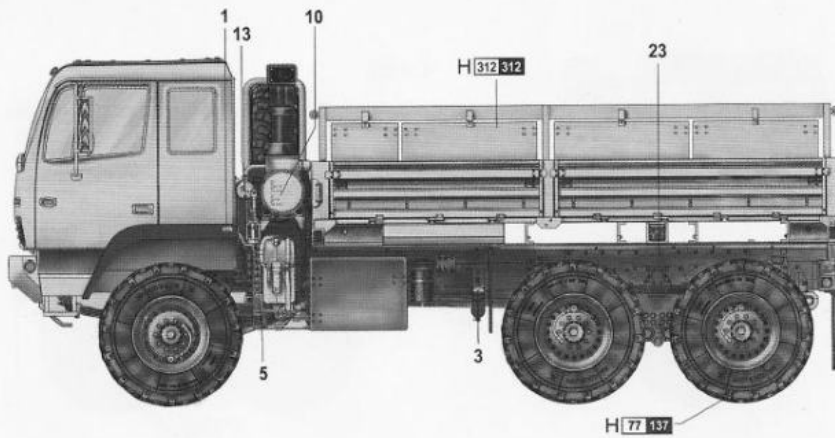
01007 1/35 M1083 FMTV Standard Cargo Truck

涂装同标贴指示
Painting & Marking guide

PAINT REFERENCE COLOUR

Color	Mr.Hobby	Vallejo	Model Master	Tamiya	Humbrol
Tire Black 胎黑色	H 77 137	-	-	-	-
Sandy Brown 沙褐色	H 19	-	-	-	-
Dark Olive 暗绿黄	H 87	-	-	-	-

B



H X AQUEOUS HOBBY COLOUR

X MR.COLOUR

01007 1/35 M1083 FMTV Standard Cargo Truck