



Mil Mi-24V Hind-E Helicopter

1:35 Scale

米里米-24V雌鹿E型武装直升机

READ BEFORE ASSEMBLY

- Study and understand these instructions thoroughly before beginning assembly. Make sure all parts are included by comparing them to those shown on pages 2 & 3 of these instructions.
- Remove parts from sprues as needed, and trim excess with a hobby knife. Be careful not to lose small parts.
- Remove photo-etch parts from sprue as needed using a hobby knife or photo etch cutter.
- Apply cement to photo etch parts as shown on instructions. Applying too much cement will restrict the operation of these

movable parts. Apply cement carefully! Removed photo etch parts can have sharp edges. Take care when handling these to avoid injury.

- Apply decals to necessary parts prior to assembly.
- Additional tools recommended(not included):Sprue cutter, Long nose pliers, hobby knife, file, tweezers, pin vise, scissors, cement, sandpaper, soft cloth, glue and paint.
- Keep all parts out of reach of children, as they pose a choking hazard. Discard all unnecessary bags and sprues when model is completed to avoid accidental injury.

装配之前仔细阅读

- 小心用模型锉刀锉平所有零件表面的注射浇口。
- 小心用刀片切下蚀刻片零件，不要遗失小零件。
- 用强力快干胶水粘合蚀刻片零件和金属轴。过量的快干胶水使用可能导致可动零件会粘住，小心涂胶。
- 取蚀刻片时应特别注意安全，防止利刃划伤手指。
- 某些零件表面需贴上水贴纸，请选择在装配的同时进行。
- 推荐模型工具(自备)：胶水，水口剪刀，长咀钳，刀片，锉刀，镊子钳，钻，剪刀，瞬间快干胶。
- 软布同砂纸同时也应该是必备工具。
- 请使用塑料胶水和油漆，模型内不含。
- 谨防小孩吸吮塑料零件，或者将塑料袋套在头上，制作时应将套材远离小孩接触。

水贴纸的使用:

1. 从水贴上剪下印花;
2. 将印花放入温水中浸10秒, 然后放在干净布上。
3. 拿着印花纸板将印花移到模型上;
4. 手指蘸水将印花移到适当的位置;
5. 用软布轻压印花直至水干, 汽泡消失。

DECAL APPLICATION

1. Cut off decal from sheet.
2. Dip the decal in tepid water 40° C for about 10 sec. and place on a clean cloth.
3. Hold the backing sheet edge and slide decal onto the model.
4. Move decal into position by wetting decal with finger.
5. Press decal gently down with a soft cloth until excess water and air bubbles are gone.



cyanoacrylate glue
使用强力胶



weight
配重



make hole
钻孔



cut / remove
切除



option
选择



no cement
不涂胶水



decal
贴纸

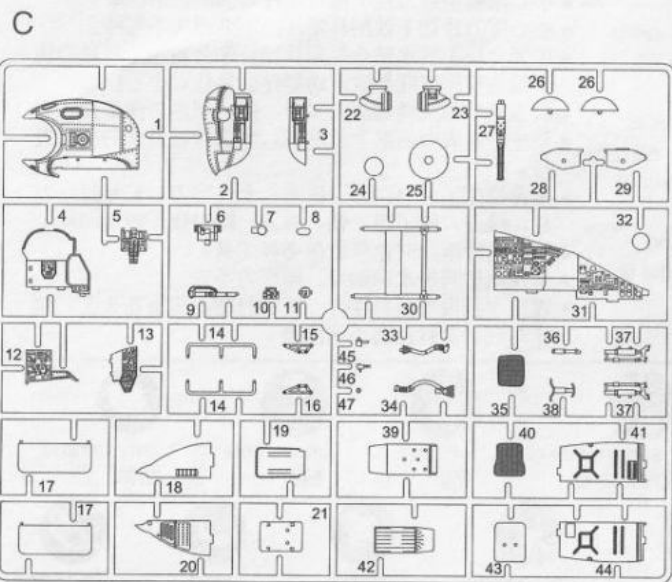
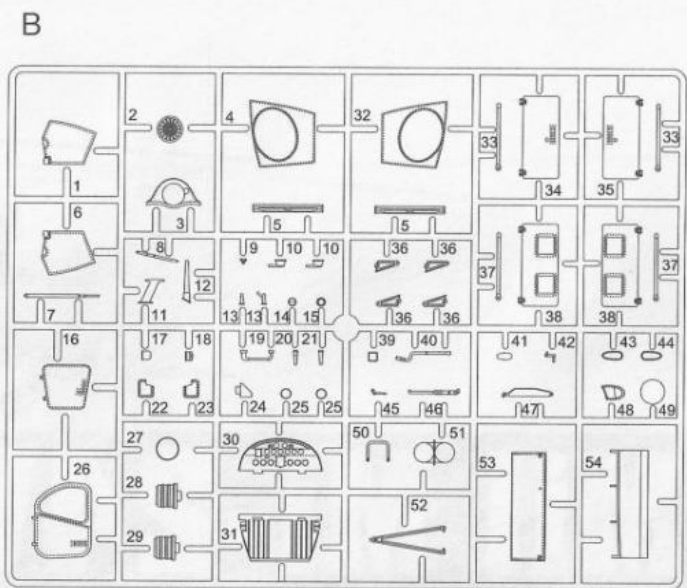
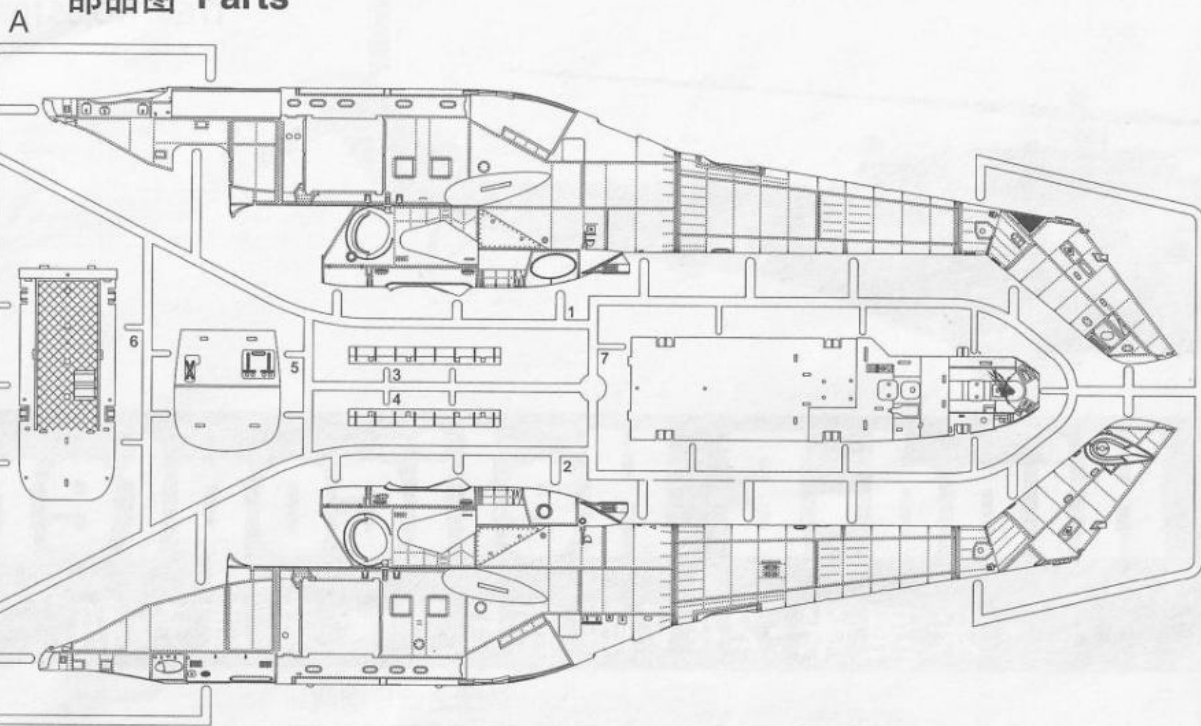


bend
弯曲

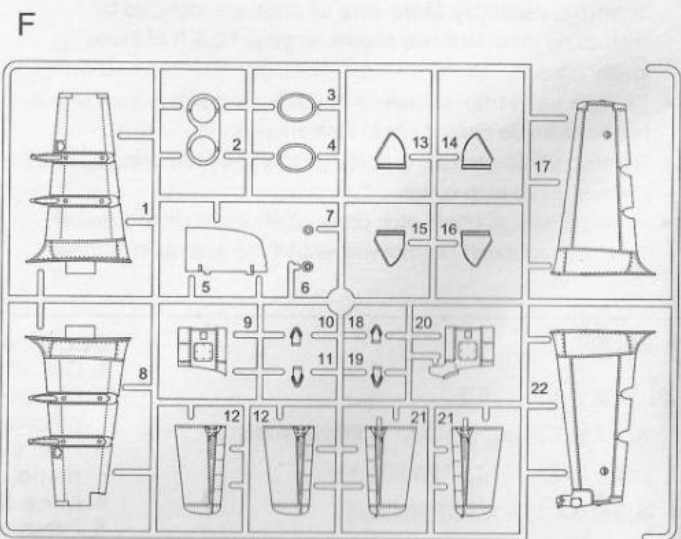
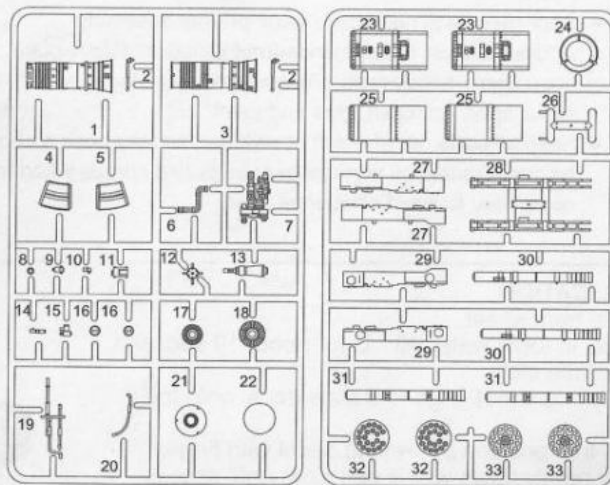


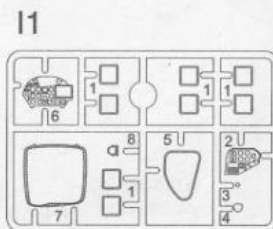
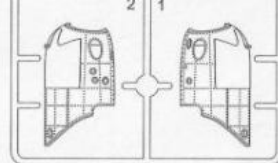
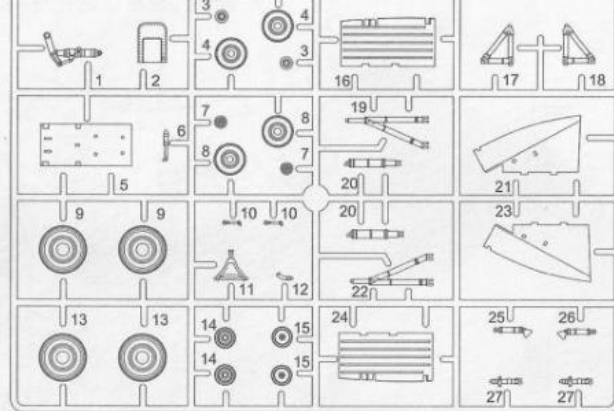
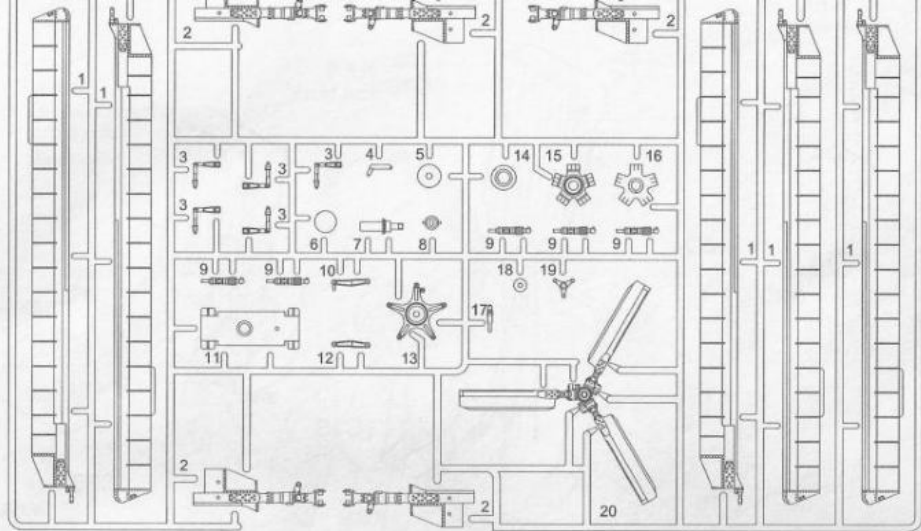
file / sand
锉平

部品图 Parts



DX2

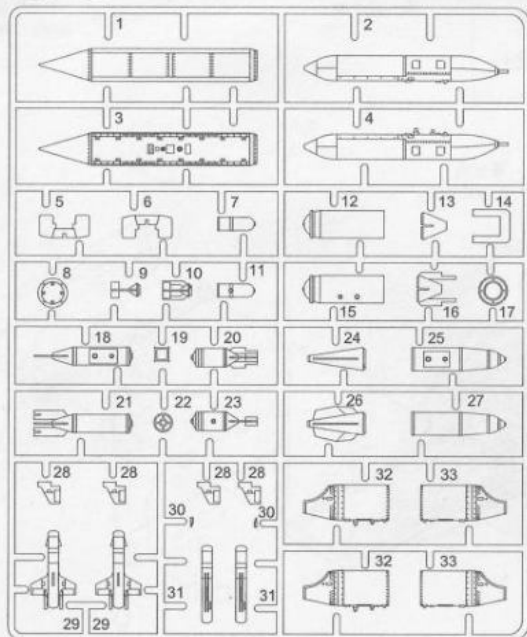




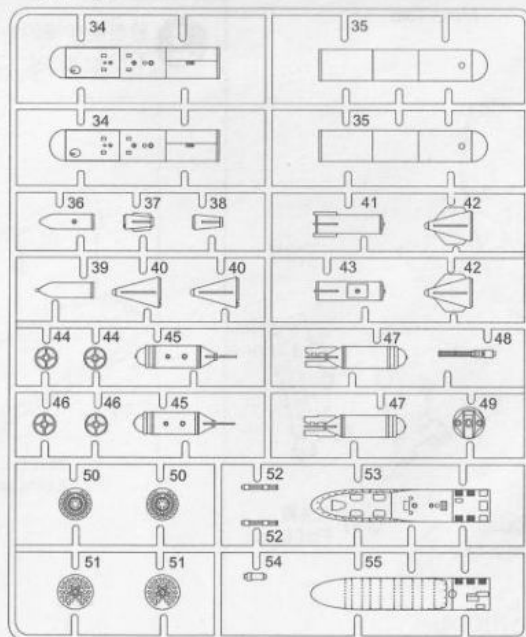
座舱盖
Canopy



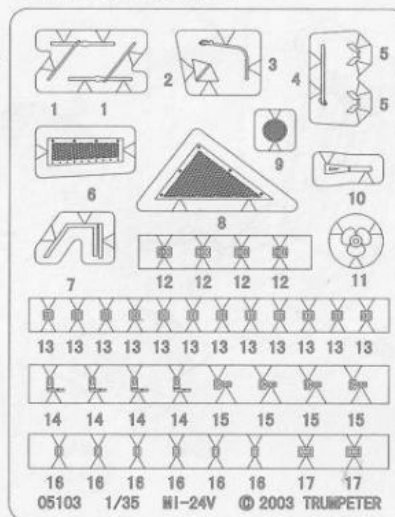
J1 × 2



J2 × 2



蚀刻片
Photo Etched Part (PE)



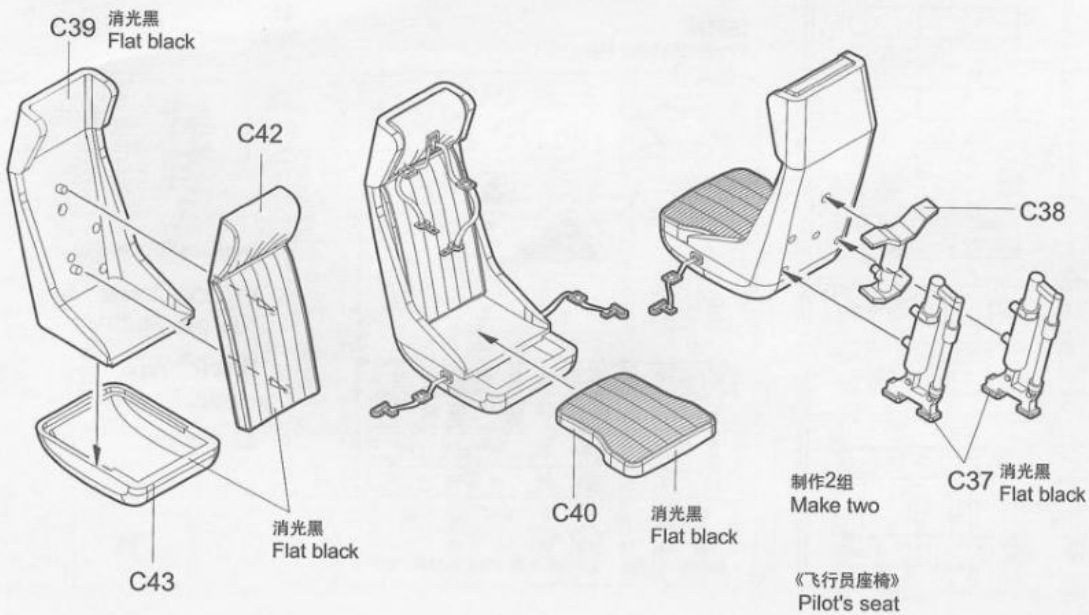
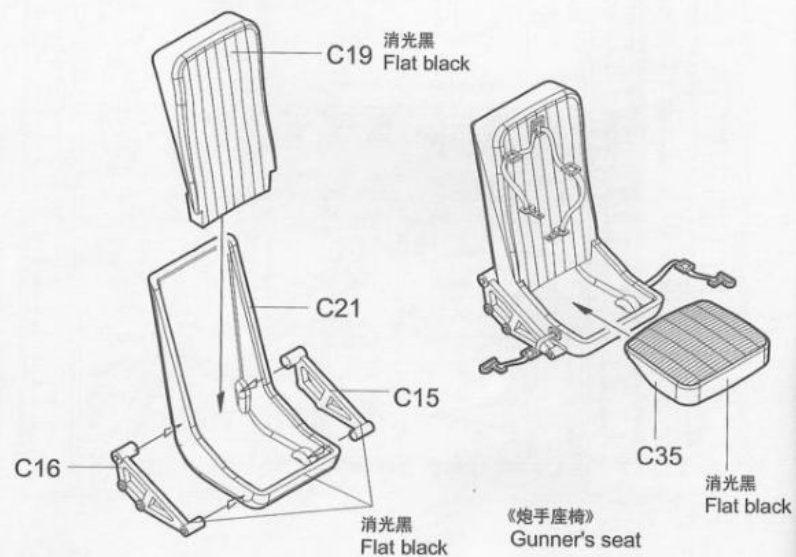
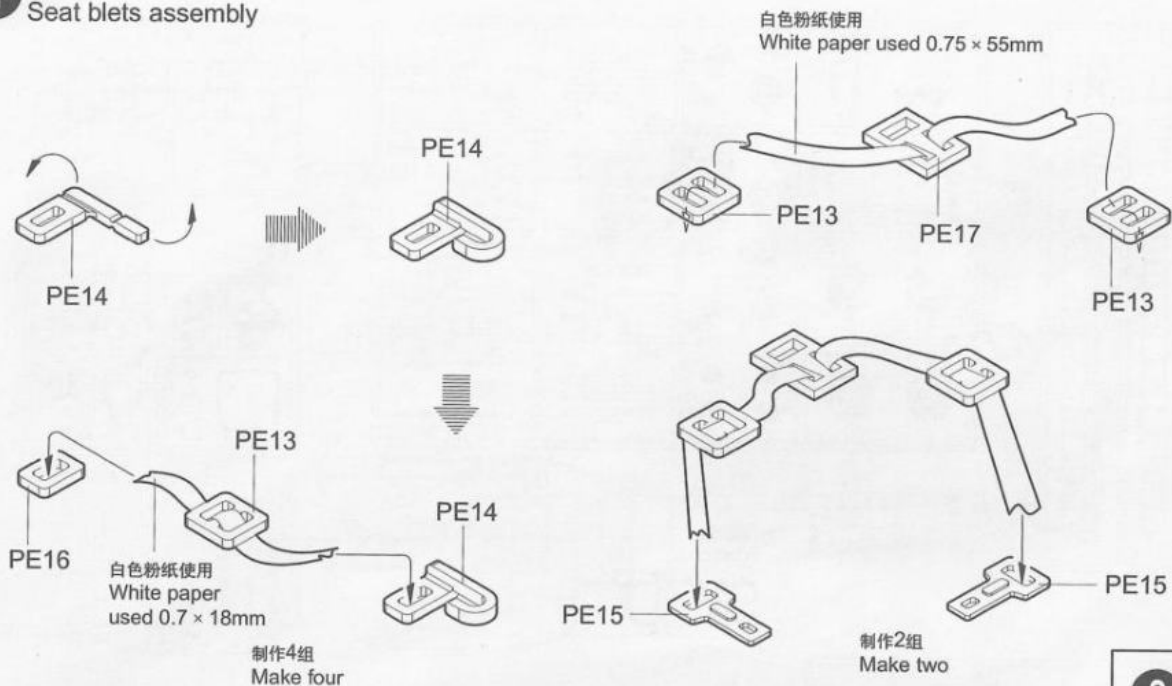
菲林片
Instrument Film 1pcs

贴纸
Decal 1pcs

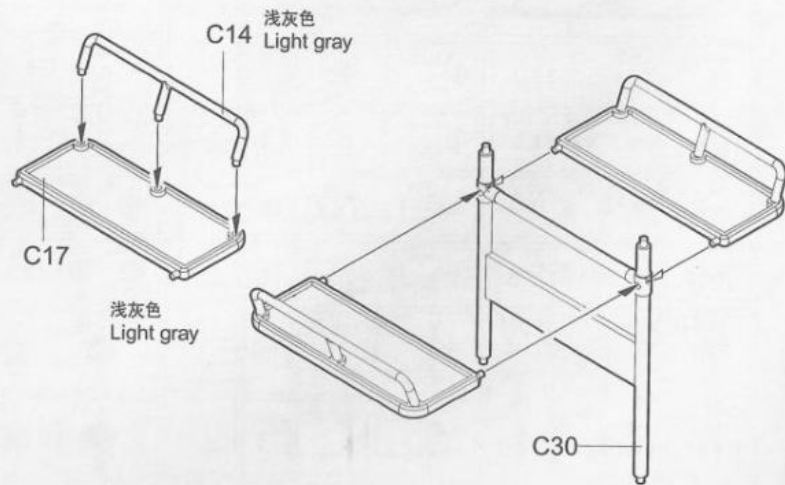
References: (Books)

- ① **VP LOCK ON N° 16**
《Mi-24w HINDE》
- ② **WWP® No.4**
《HIND in detail》
- ③ **4+** 《Mi-24》

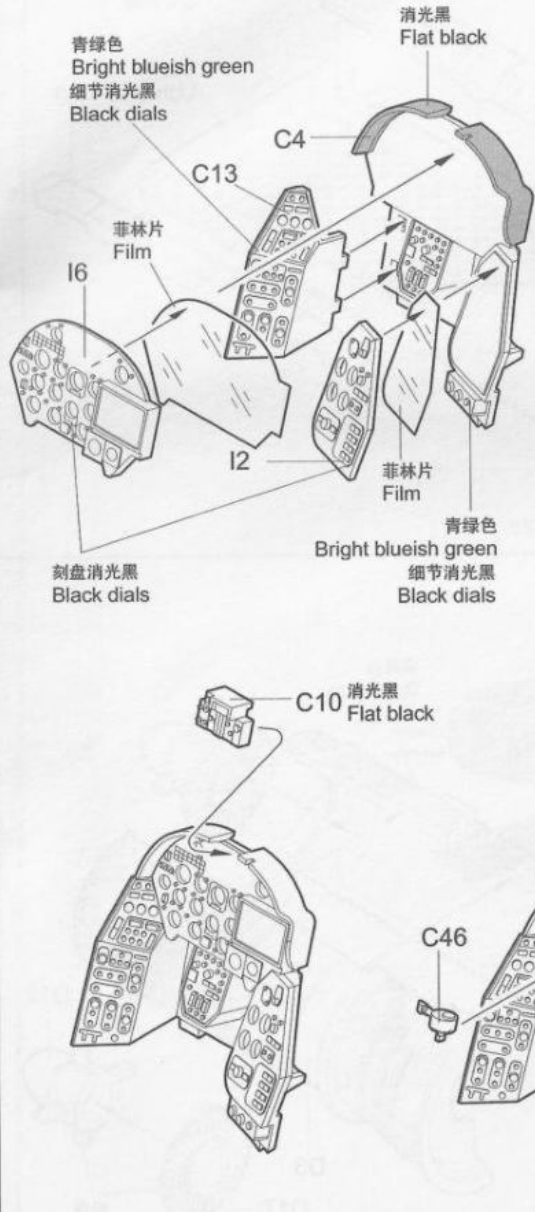
1 安全带的组装 Seat belts assembly



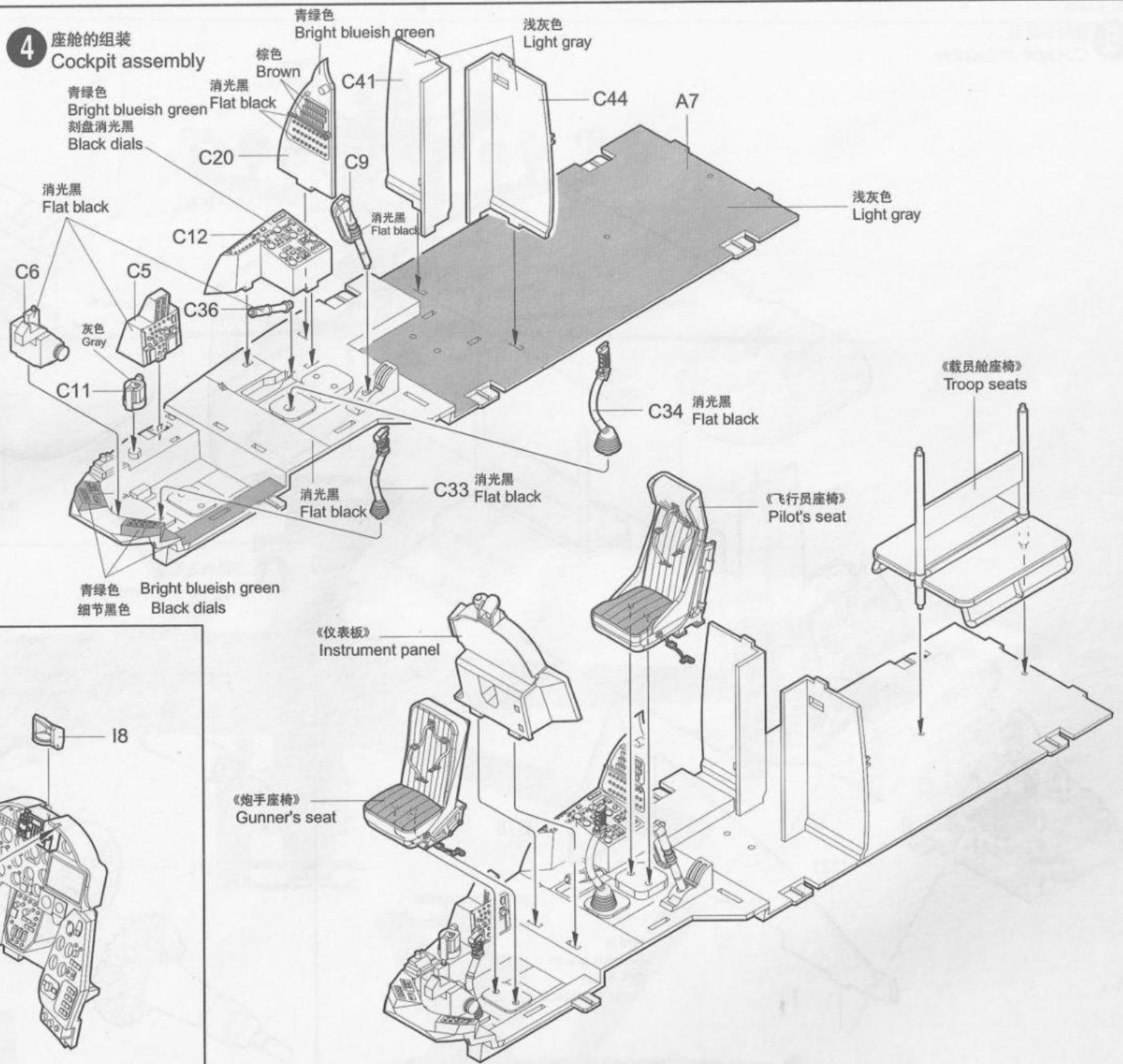
2 载员舱座椅的组装 Troop seats assembly



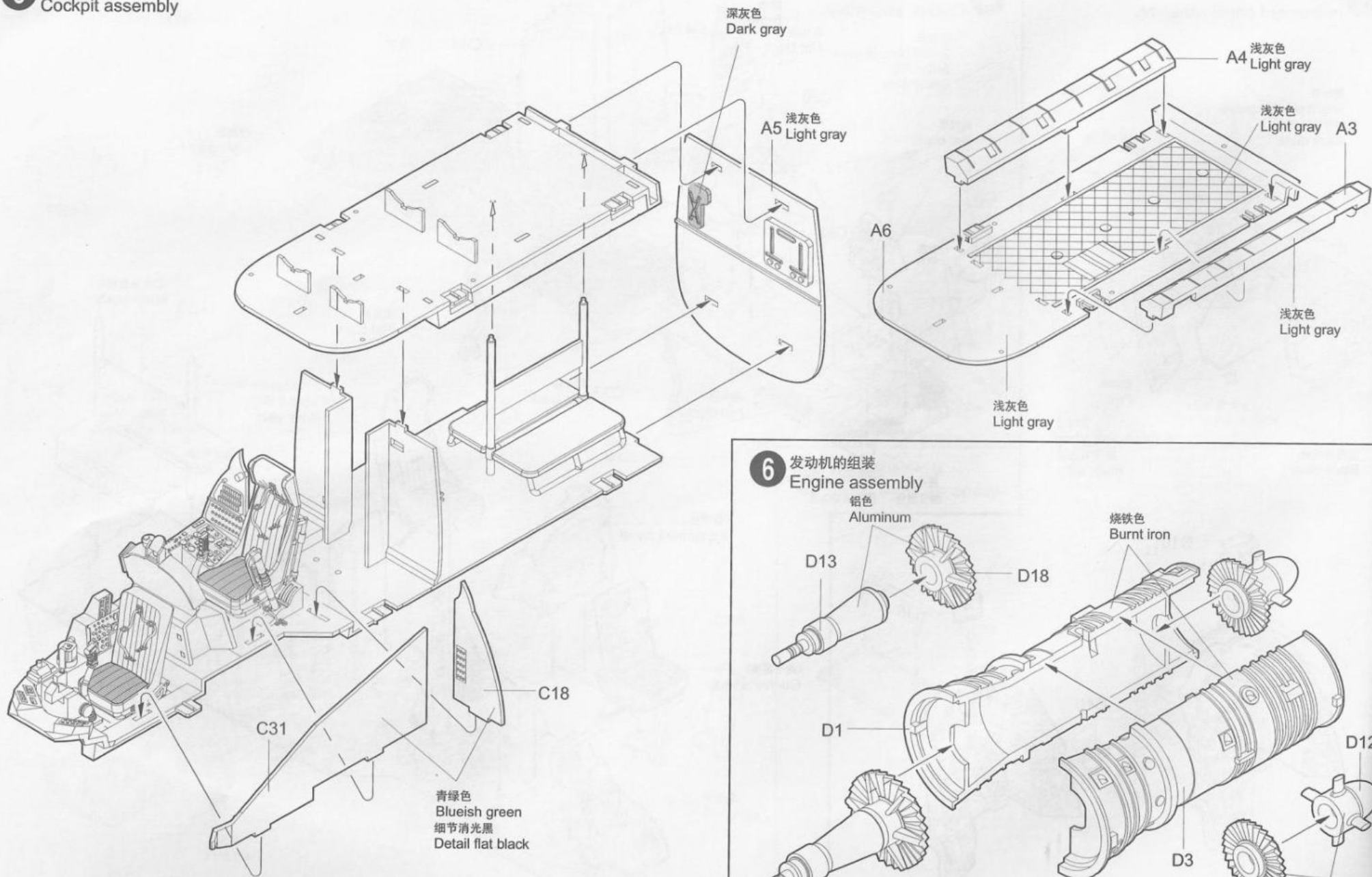
3 仪表板的组装 Instrument panel assembly



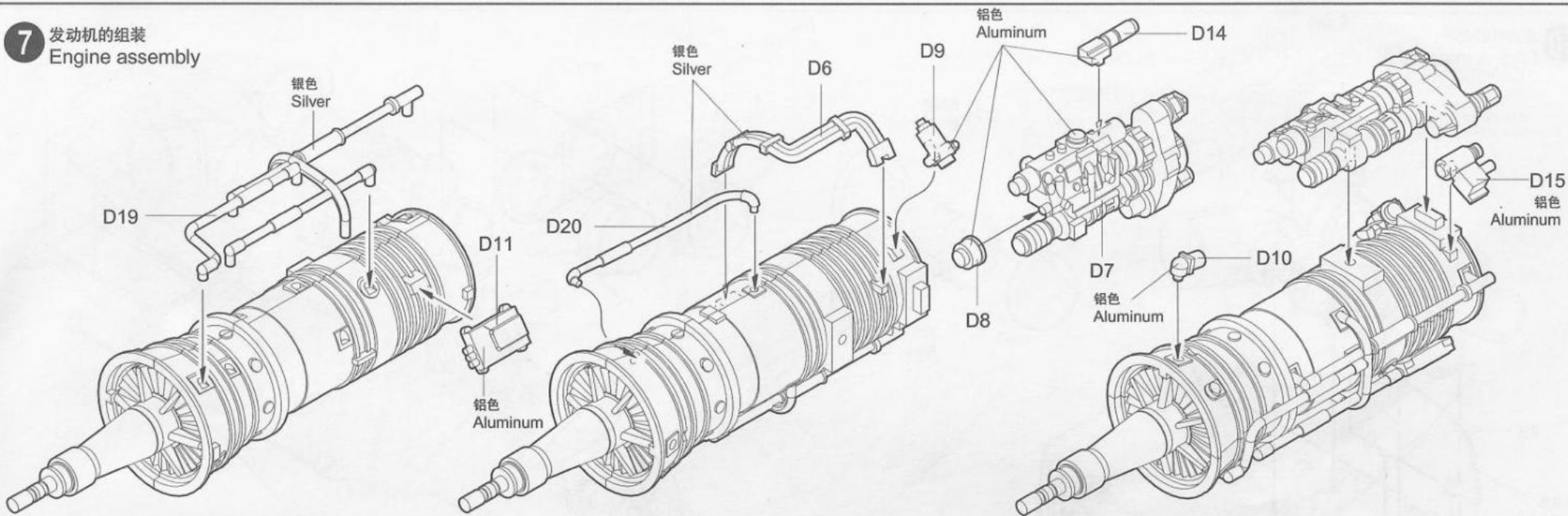
4 座舱的组装 Cockpit assembly



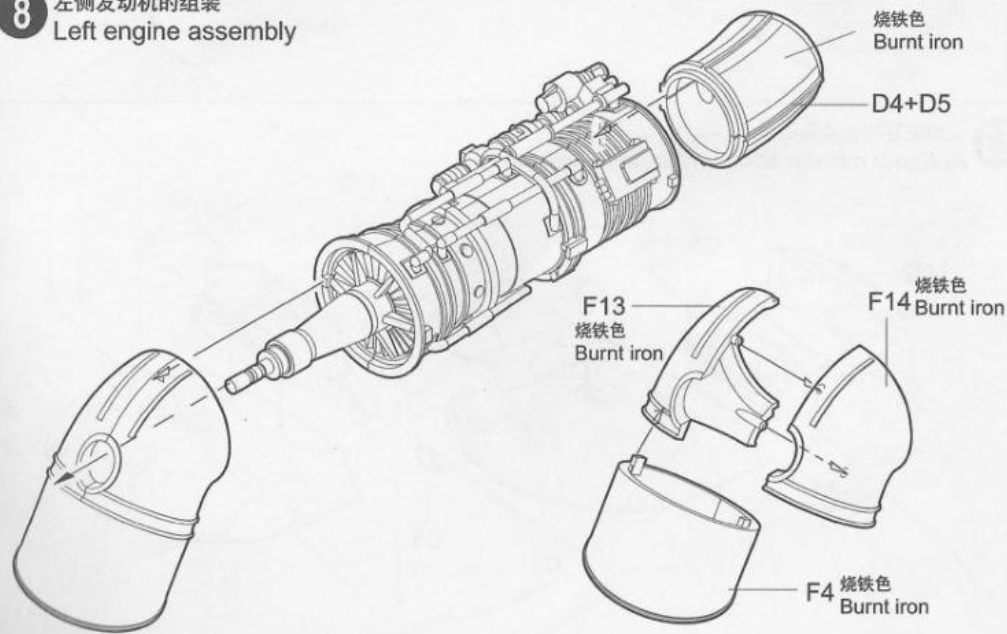
5 座舱的组装
Cockpit assembly



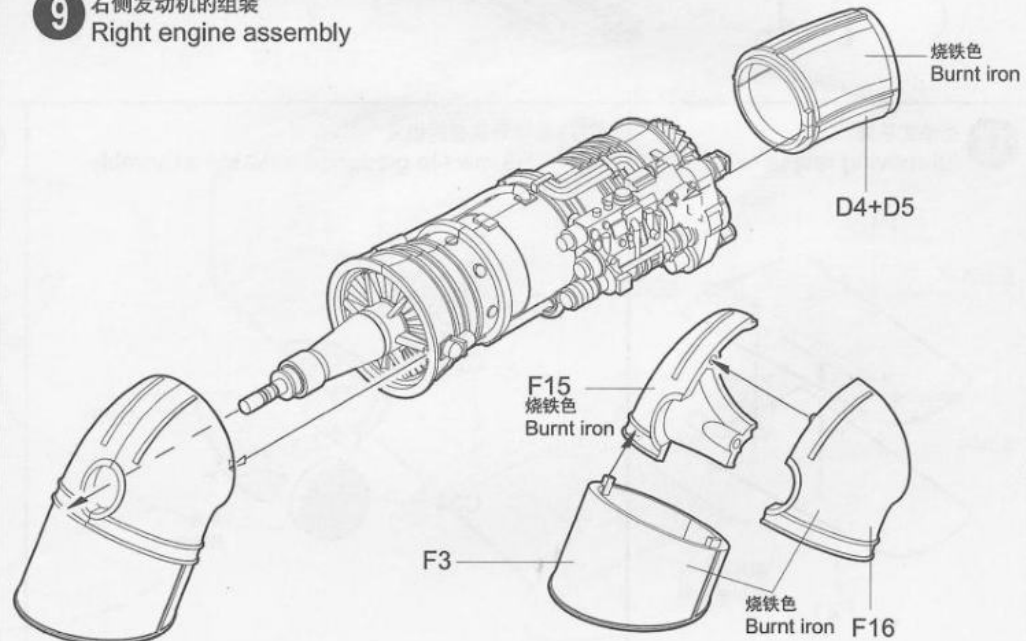
7 发动机的组装
Engine assembly



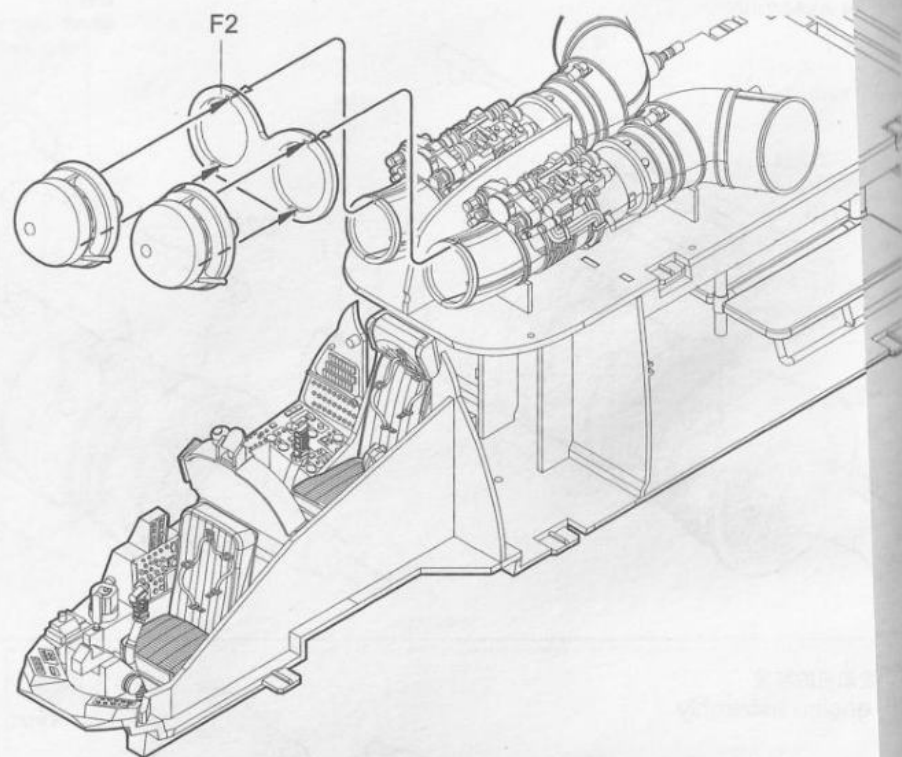
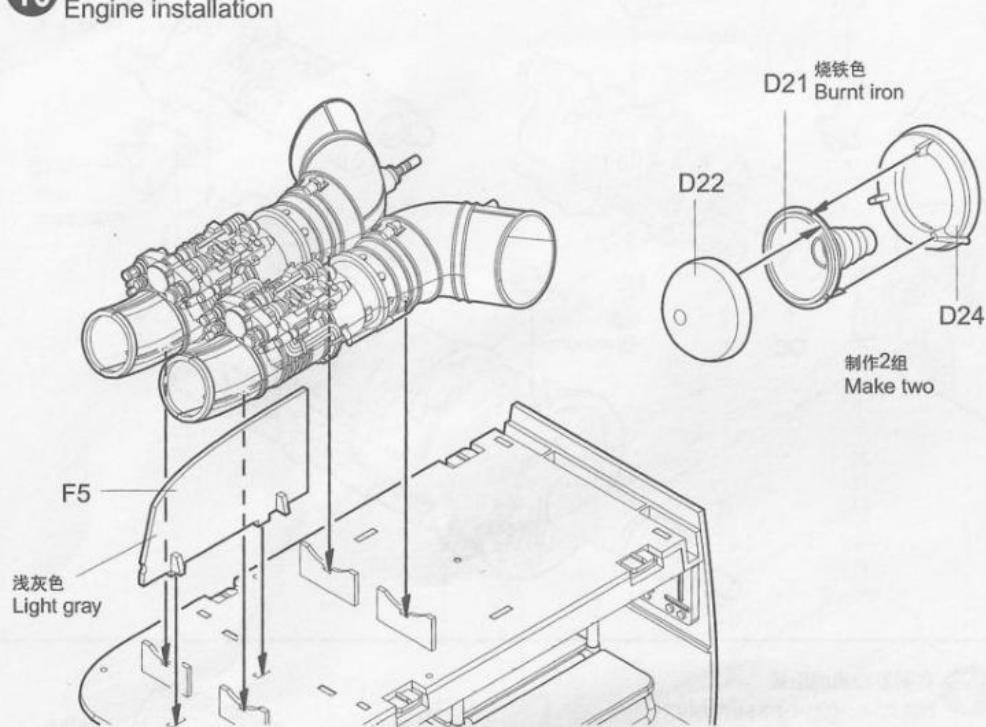
8 左侧发动机的组装
Left engine assembly



9 右侧发动机的组装
Right engine assembly



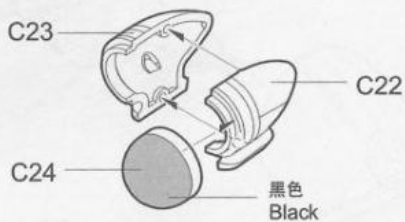
10 发动机的安装
Engine installation



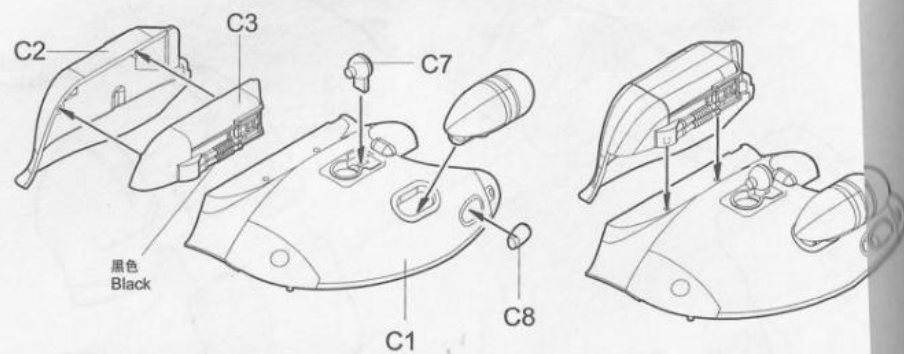
11 全动式平尾
All-moving tailplane



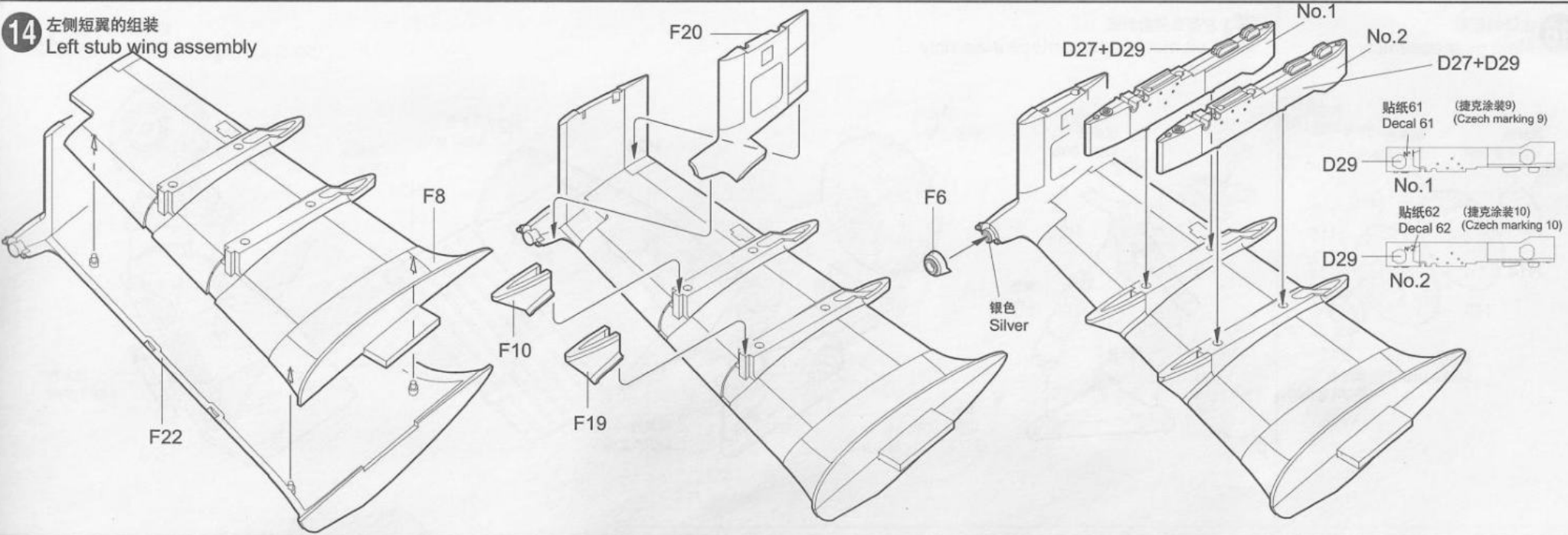
12 导弹导航器的组装
ATG missile guidance antenna assembly



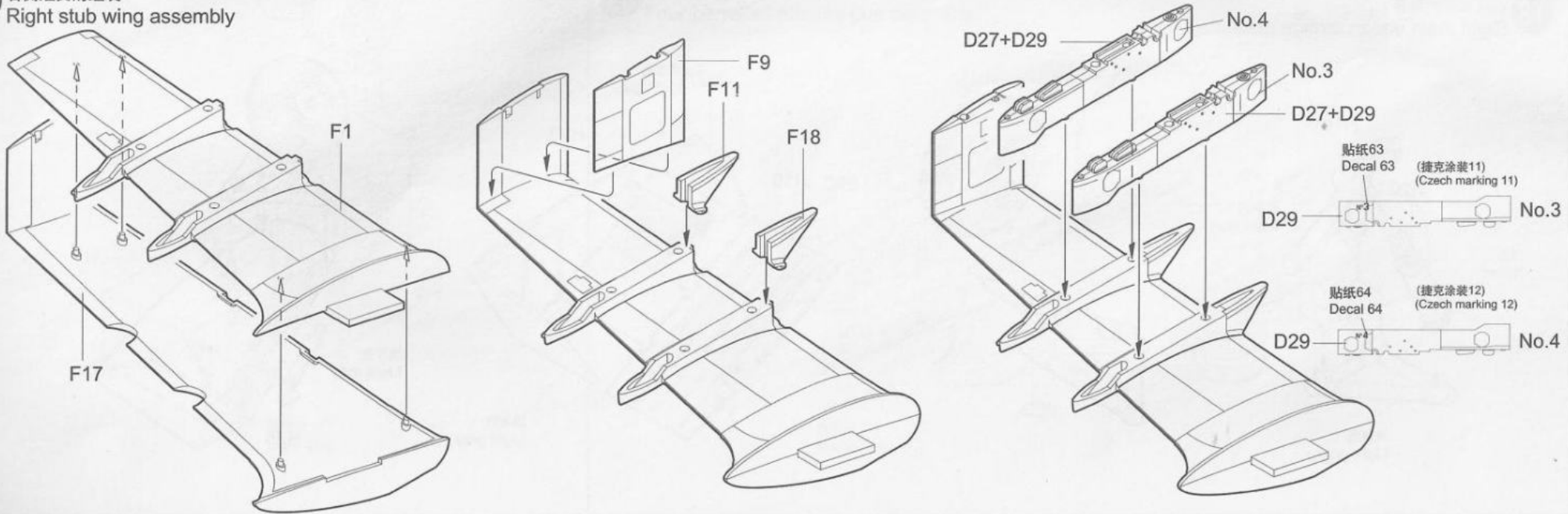
13 反坦克导弹可选导航器
Antitank missile optical-guidance system



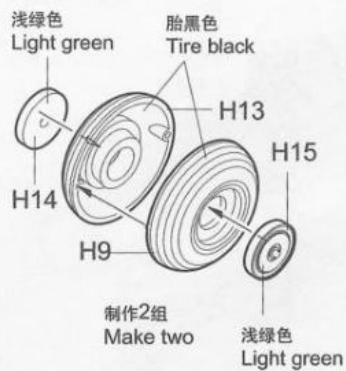
14 左侧短翼的组装
Left stub wing assembly



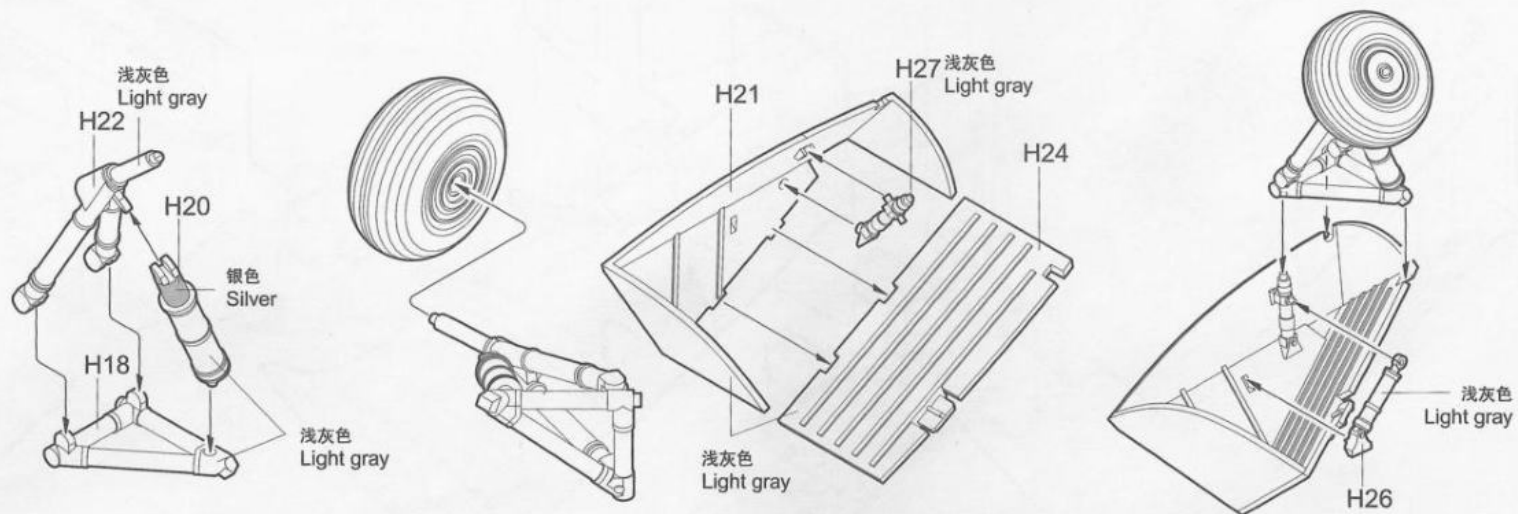
15 右侧短翼的组装
Right stub wing assembly



16 主轮的组装
Main gear assembly



17 左起落架的组装
Left main undercarriage assembly



18 右起落架的组装
Right main undercarriage assembly

