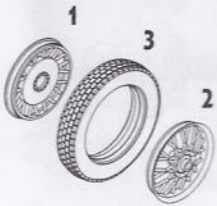


**MB**<sup>TM</sup>  
MASTER BOX LTD

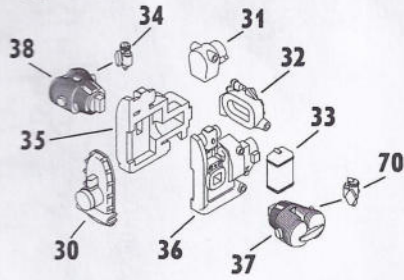
№MB3528

German

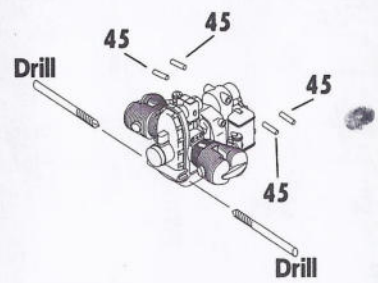
I



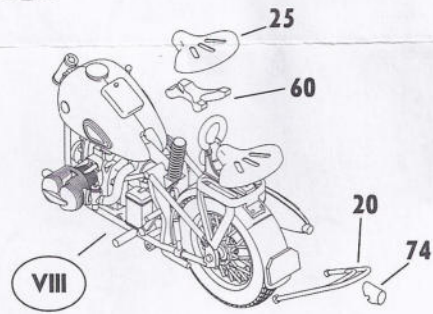
II



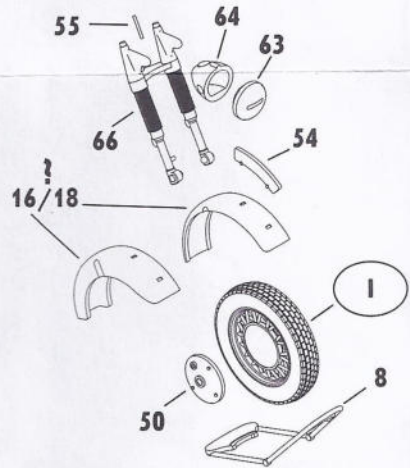
III



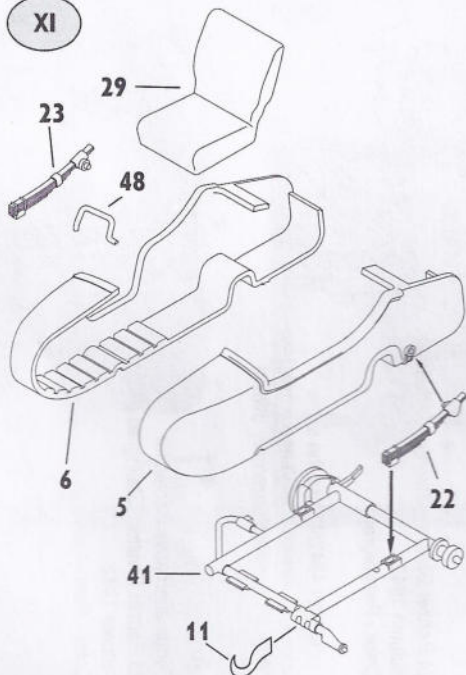
VIII



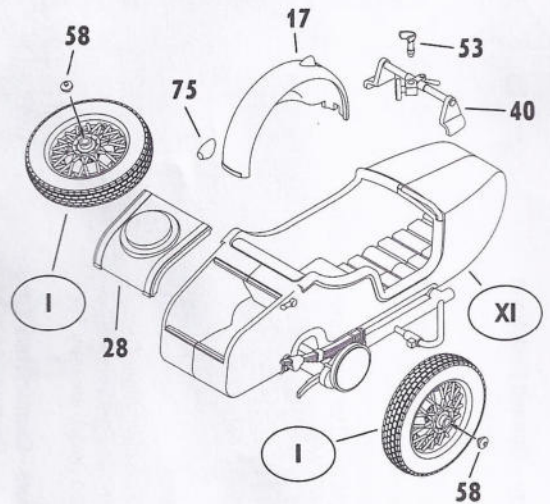
IX



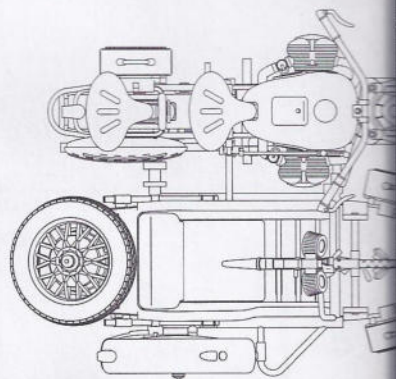
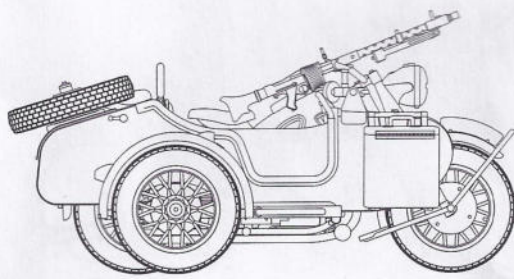
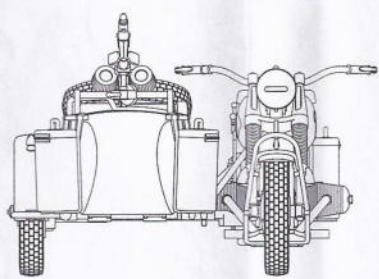
XI



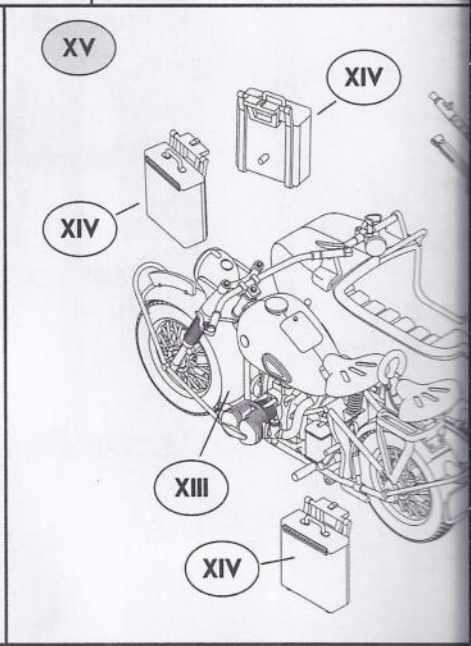
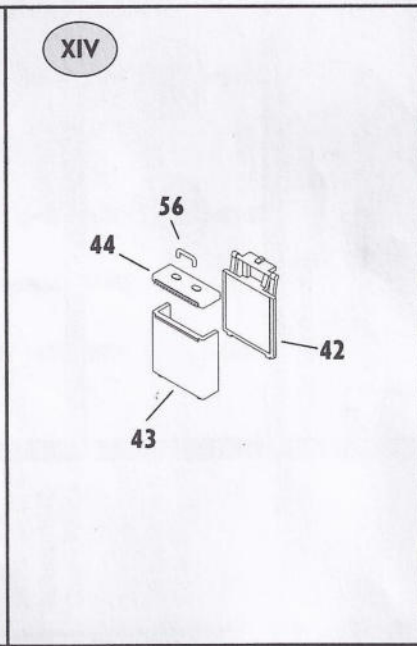
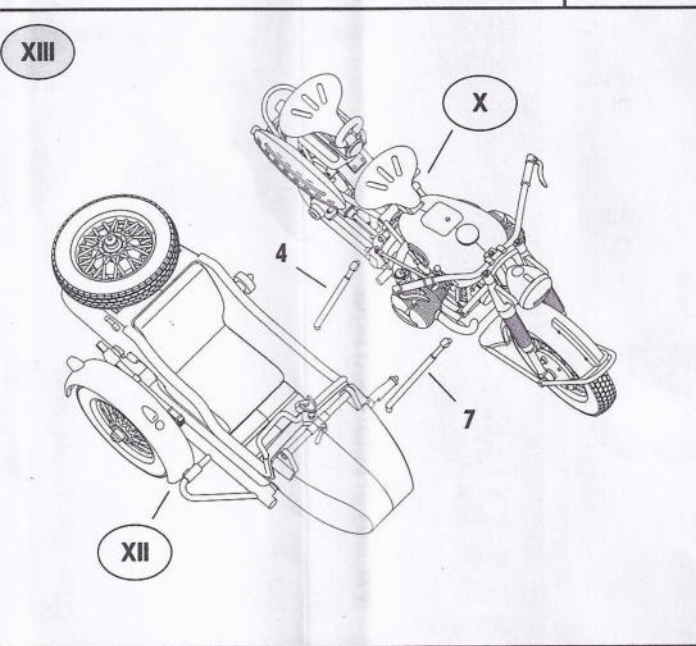
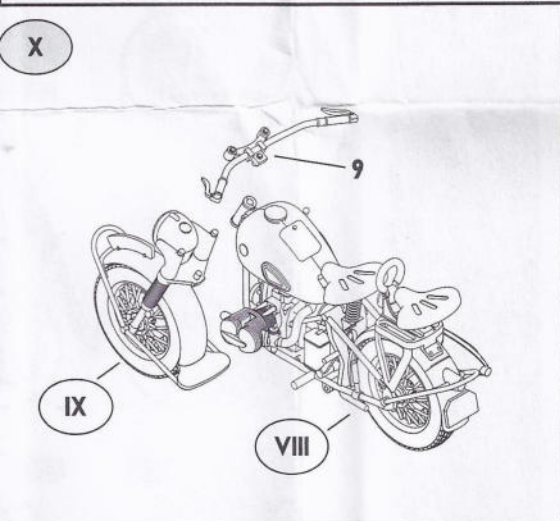
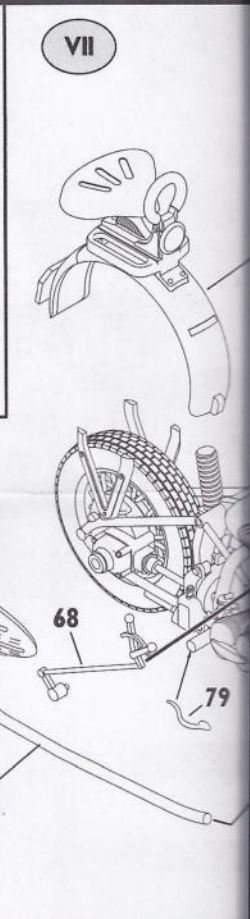
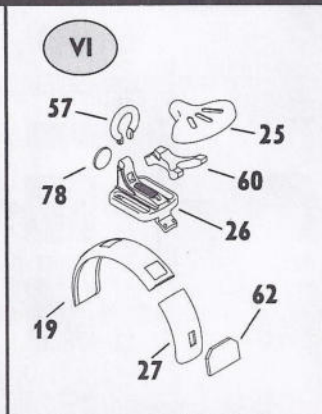
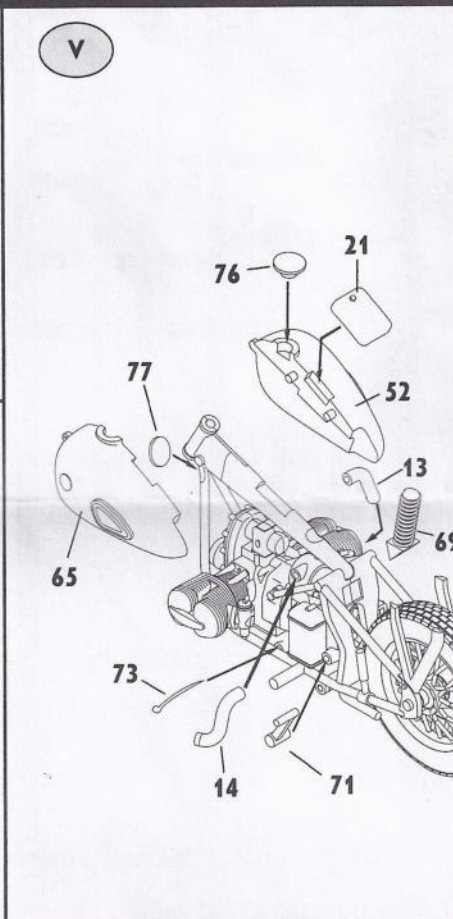
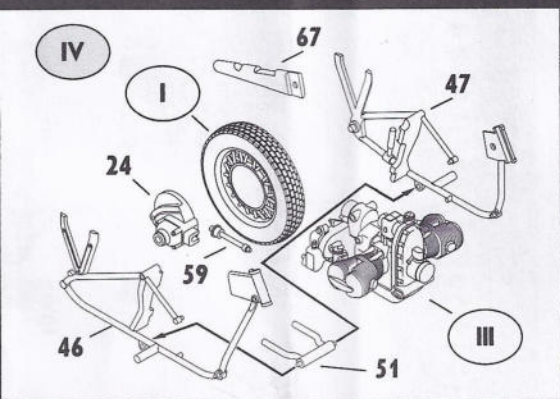
XII



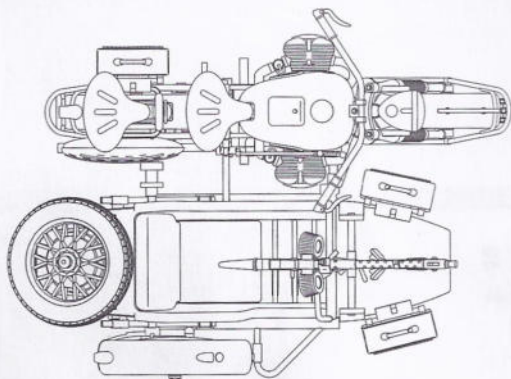
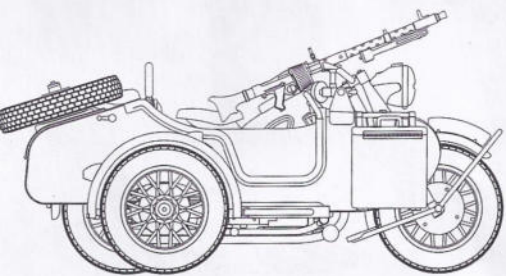




# Motorcycle BMW R75

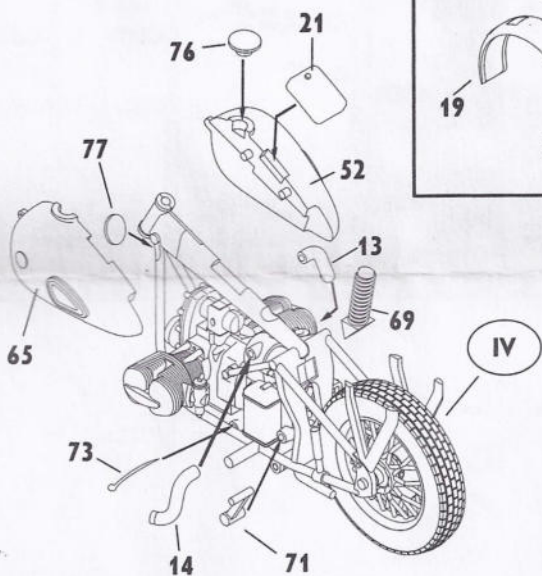




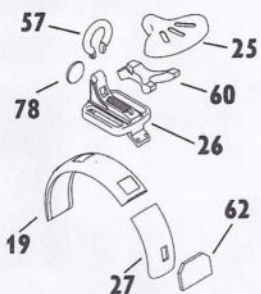


# BMW R75

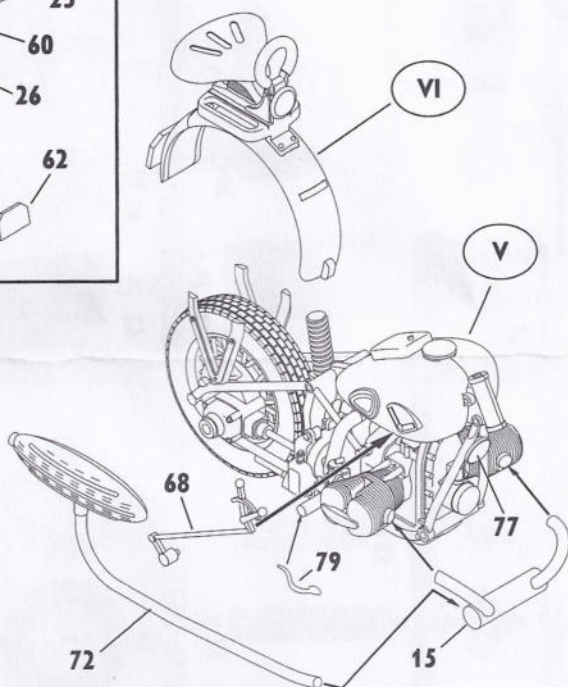
V



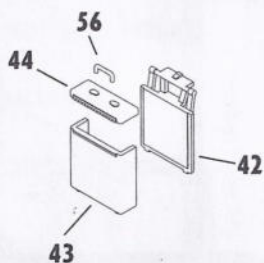
VI



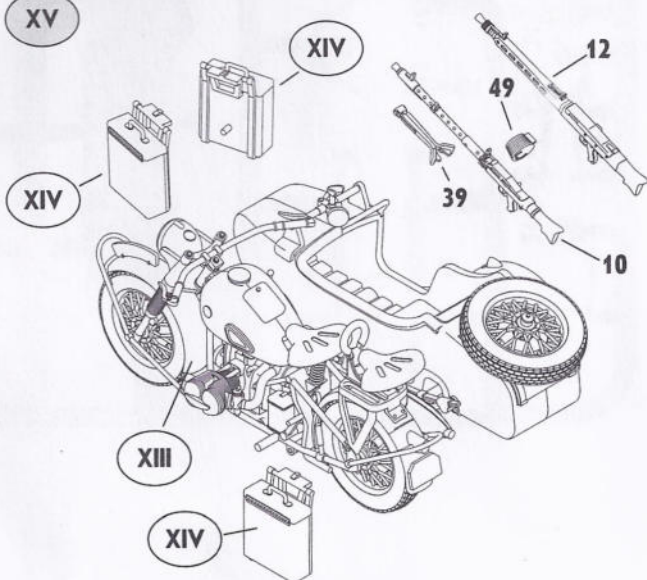
VII



XIV



XV

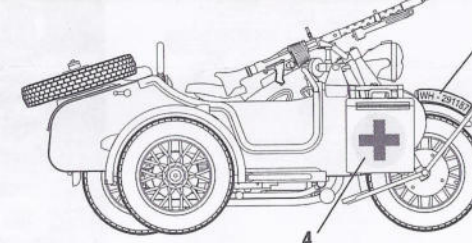
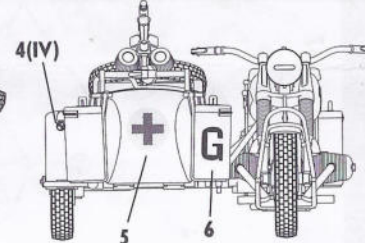
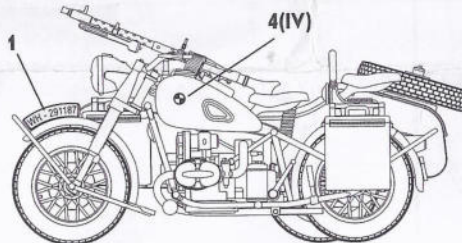
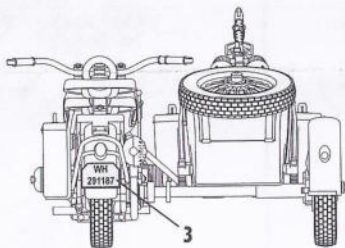




**Variants of colors and signs**

①

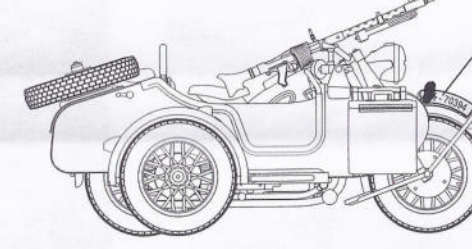
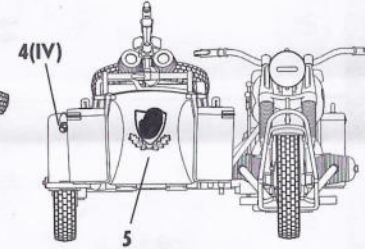
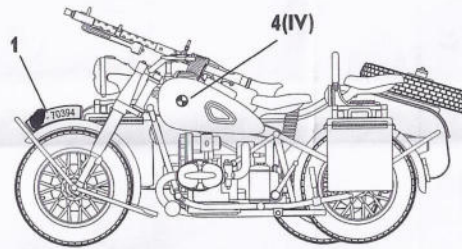
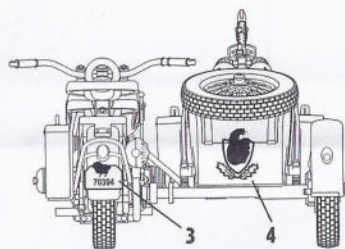
Color - Panzergrey



②

12 SS-Panzer Division Hitlerjugend  
Vehicle of Commander  
Kurt "Panzer" Meyer  
Normandie (France), June 1944

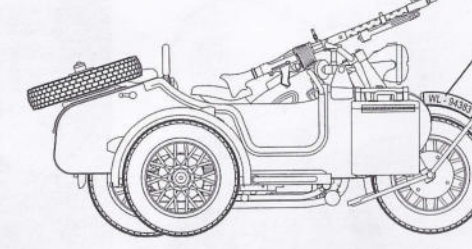
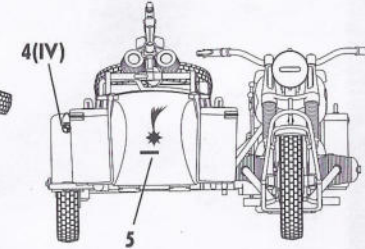
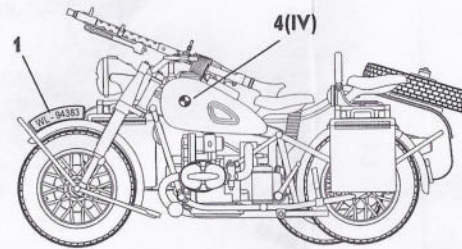
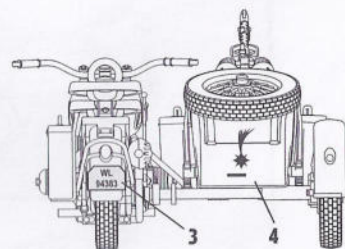
Color - German Dark Sand



③

Ramcke Brigade,  
German Paratroopers  
Lybia and Tunisia - Afrika Korps,  
1942/1943

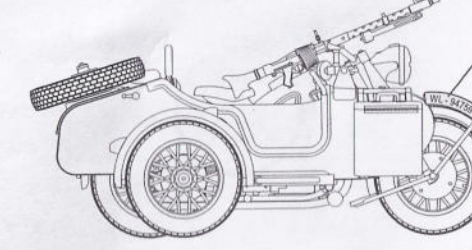
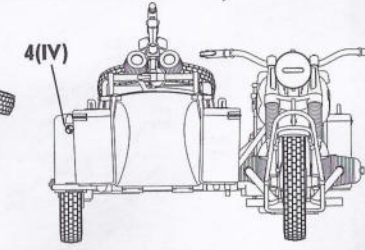
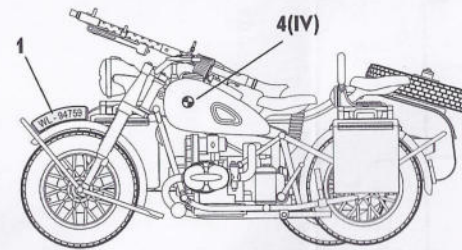
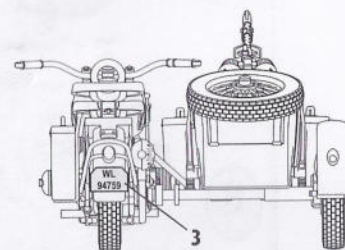
Color - Afrika Korps Desert  
Yellow (TAN)



④

14 Fallschirmjäger Division  
(German Paratroopers)  
Anzio (Italy), January 1944

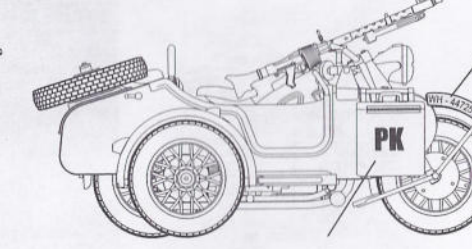
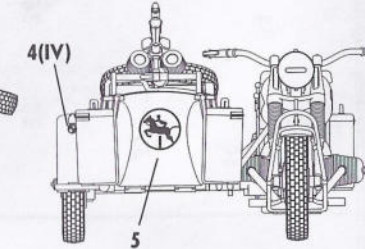
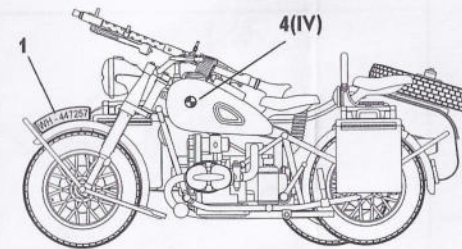
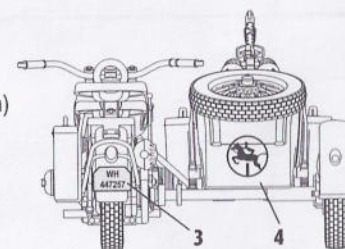
Colors - German Dark Sand  
German Olive Green



⑤

24 Panzer Division, Stalingrad (Russia)  
Autumn 1942  
Color - Panzergrey

For Winter 1942/43 use the same  
Decals of version V or VI and apply  
White (Flat) over Panzergrey overall



⑥

Bonus alternative Decals for  
24 Panzer Division, Stalingrad (Russia)  
Autumn 1942  
Color - Panzergrey

