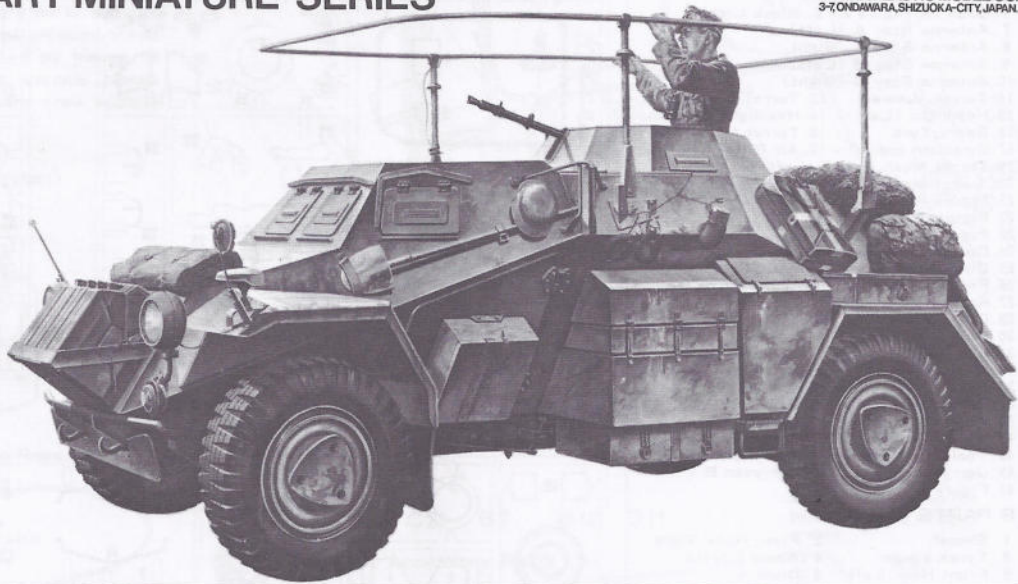


# Sd.kfz 223 LEICHTER PANZERSPÄHWAGEN (Fu)

## 1/35 MILITARY MINIATURE SERIES



Those who are going to enjoy a sport or game will hope to know what sort of a man their opponent is, and take interest in his physique and condition. In actual war for the independence of the country or the freedom of people, apart from movie and television stories of spies and secret underground agents, it forms an important part of fighting to collect information about the enemy. It is the reconnaissance battalion that performed such a very risky and important mission on the ground. The reconnaissance mission had been entrusted to cavalry for a long time. Cavalry with superior mobility and cross-country ability was able to carry out long-distance reconnaissance mission as well as to make a dash in mass formation which was referred to as the flower of the battlefield. In World War I, by which time weapons of many countries much increased in fire power, the mobile attacks by cavalry became nothing but suicidal acts and cavalry came to be used only in secondary reconnaissance.

After the end of the long war, many countries refrained from attaching much importance to horses and started mechanizing their forces — supply troops, artillery and newly born tank troops in this order. On the other hand, cavalry which had been charged with mobile missions so far was trying to maintain its venerable traditions and smart appearance. In Germany after the war, there was no competition between arms of service because of the arms limitations placed by the Treaty of Versailles. The Germans, however, soon pushed forward the mechanization of their troops. In 1939, Germany declared rearmament and signs of another great war were daily increasing. German cavalry employed mechanical vehicles in place of horses as if it had been a matter of course changed itself into the reconnaissance battalion.

The German Army planned to use the new reconnaissance battalion both in secret reconnaissance on the battlefield and in forced reconnaissance. The former mission was, as implied by the name, to steal into the enemy's territory and feel the enemy without being noticed. Owing to the progress of aircraft, however, its use in this mission became much limited. On the other hand, the latter was a special mission that could be performed only by ground troops. This mission was to wage a small fight for the purpose of grasping the

numerical strength, organization, disposition and counterattack system of the enemy.

Thus, the forced reconnaissance was a limited attack to expose the enemy's defensive positions. The interception of the enemy's code telegrams was also a part of this very risky mission. For these reasons, the reconnaissance battalion was referred to as the "eye" and "ear" of the division.

At the beginning of World War II, the German Army employed armored reconnaissance cars and armored radio cars with regimental level wireless equipment as the main body of the reconnaissance battalion. In addition to these two types of cars, small vehicles and motorcycle infantry company were also included in the battalion.

The light armored radio car SdKfz 223 had been developed as one of the important vehicles for the mechanized reconnaissance battalion. Like the light armored reconnaissance car SdKfz 222, it used the chassis and engine, i.e. the most important parts of vehicle, that had been originally designed for use in Auto-Union's large passenger car and standardized as such.

The SdKfz 223 was a light-armed vehicle. It carried a machine gun on the low-silhouette open-top turret. In addition to this, an MP-38 machine pistol and signal pistol were used as the standard equipment.

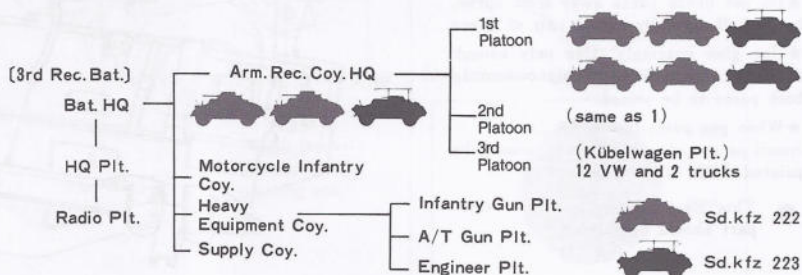
It carried a crew of three men. The driver sat in front of the compact vehicle and the radio operator was on his rear left. In the turret on the rear right of the radio operator was the commander who also served as machine gunner. Wireless equipment of great impor-

tance to the vehicle was mounted in front of the radio operator. As such equipment, standard vehicles carried a wireless telephone and 30 w medium-wave wireless apparatus FU-8. The FU-8 had a coverage of 50 kw and consisted of a transmitter, receiver and their power source. Its frequency range was 1,130 to 3,000 kc/s or 580 to 3,000 kc/s. Some vehicles used by the signal platoon of the regimental headquarters had an ultra-short wave wireless apparatus FU-7 which could be used even in communication with aircraft.

The armored radio car was characterized by its folding square frame antenna of all others. The folding mechanism of the frame antenna was easy to handle but was seldom used. It seems that the antenna was kept erect in many cases. As a result, the folding mechanism, which was originally considered to be an advantage of this antenna, ironically turned out to have the disadvantage of being too weak in construction. Because the antenna was not so large as that of the 8-wheeled armored car SdKfz 232, this vehicle had the further disadvantage of being incapable of carrying long-distance wireless equipment.

In the first half of World War II when German tank troops took the leadership in battle and swept over the European Continent, German armored radio cars not only fulfilled the important mission to feel the enemy but also contributed through their radio net toward bringing out a closer union of fighting power of all arms of service, which was indispensable to modern warfare.

Organization of 5th Light Division (later 21st Division), 3rd Rec. Battalion (Mechanized) 1940~41

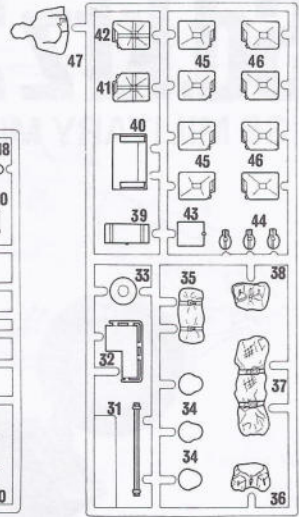
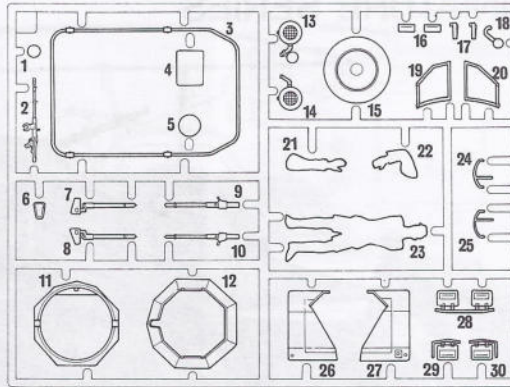


# PARTS

## A PARTS

1. Fender Mirror
2. MG 34
3. Antenna
4. Radio Apparatus Rack
5. Base for Figure B
6. Black Light
7. Antenna Stay A (Left)
8. Antenna Stay A (Right)
9. Antenna Stay B (Left)
10. Antenna Stay B (Right)
11. Turret (Lower)
12. Turret (Upper)
13. Headlight (Left)
14. Headlight (Right)
15. Spare Tyre
16. Turret Visor
17. Direction Indicator
18. Air Filter
19. Turret Mesh Frame (Left)
20. Turret Mesh Frame (Right)
21. Figure A (Right Arm)
22. Figure A (Left Arm)
23. Figure A (Body)
24. Direction Indicator Guard (Left)
25. Direction Indicator Guard (Right)
26. Front Fender (Right)
27. Front Fender (Left)
28. Front Visor
29. Side Visor (Left)
30. Side Visor (Right)
31. Iron Bar
32. Radio Apparatus
33. Wash Basin
34. Helmets
35. Seat
36. Bag A
37. Camouflage Net
38. Bag B
39. Wood Case
40. Jerrycan Stay
41. Water Tank A
42. Water Tank B
43. Tool Box
44. Water Bottle
45. Jerrycan A
46. Jerrycan B
47. Figure B

## A PARTS



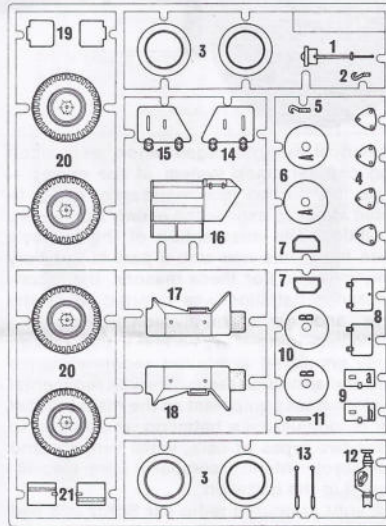
## B PARTS

1. Shovel
2. Front Hook, Right
3. Tyres, Inside
4. Wheel Covers
5. Front Hook, Left
6. Drum A
7. Number Plate
8. Engine Room Hatch
- 9-a. Tool Box A Right
- 9-b. Tool Box A Left
10. Drum B
11. Jack Handle
12. Jack
13. Pole
14. Side Hatch, Right
15. Side Hatch, Left
16. Tool Box
17. Rear Fender, Right
18. Rear Fender, Left
19. Front Mudguard
20. Tyres, Outside
21. Tool Box B

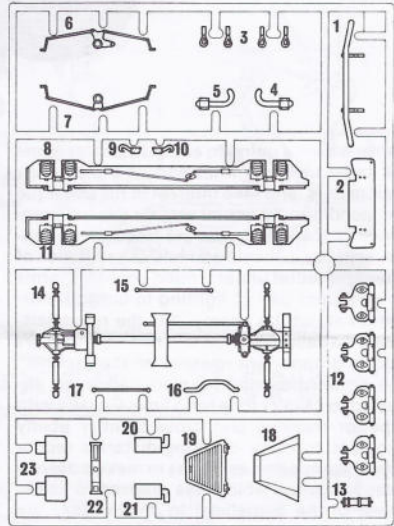
## C PARTS

1. Front Bumper
2. Front Underguard
3. Wire Rope Parts
4. Exhaust Pipe, Left
5. Exhaust Pipe, Right
6. Rear Tie Rod
7. Front Tie Rod
8. Side Frame, Left
9. Rear Hook, Right
10. Rear Hook, Left
11. Side Frame, Right
12. Upright Arm
13. Fire Extinguisher
14. Differential & Shaft
15. Lead Arm B
16. Brake Rod
17. Lead Arm A
18. Tail Cover
19. Engine Rear Cover
20. Muffler, Left
21. Muffler, Right
22. Support
23. Rear Mudguard

## B PARTS



## C PARTS

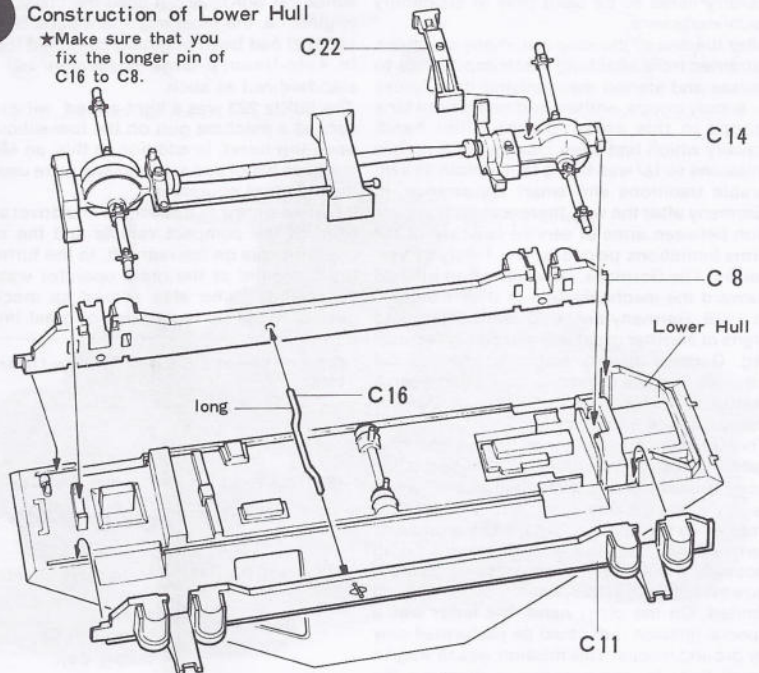


- ★ Study the instructions and photographs before commencing assembly.
- ★ You will need a sharp knife, a pair of tweezers, a file, and a pair of pliers.
- ★ Do not break parts away from sprue, but cut off carefully with a pair of pliers.
- ★ Use glue sparingly. Use only enough to make a good bond. Apply cement to both parts to be joined.
- ★ When you paint the model..... Small parts and internal parts should be painted while still on the sprue.

◆ This mark shows the colour this part should be painted.

## 1 Construction of Lower Hull

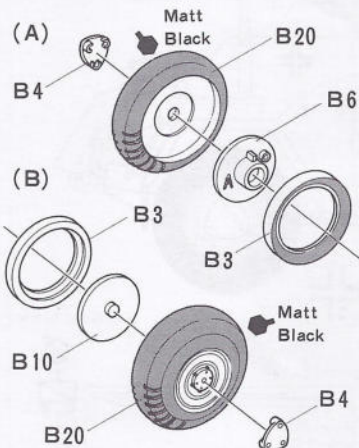
★ Make sure that you fix the longer pin of C16 to C8.



## 2 (Installation of Wheels)

Wheel Parts B6 are marked with letter "A" and Wheel Parts B10 with letter "B". Check these marks when installing Wheels.

### (Construction of Wheels)

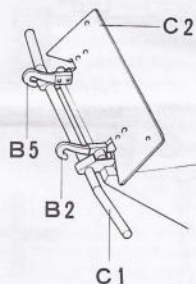


★Make each 2 sets.

## 3 (Fixing of Tie Rods)

Front and Rear Tie Rods are alike in shape. Make sure of their number and fix.

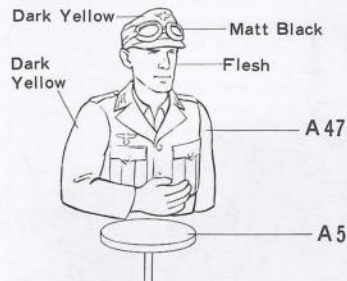
### (Front Hook Fixing Illustration)



## 4 (Fixing of Upper Hull)

First, fix A4, A5, A32 and Model Figure B. Then, firmly cement the Upper Hull to the Lower Hull. Since the hull halves have large contact surface, it is recommended to hold them together for a while by means of adhesive tape or the like.

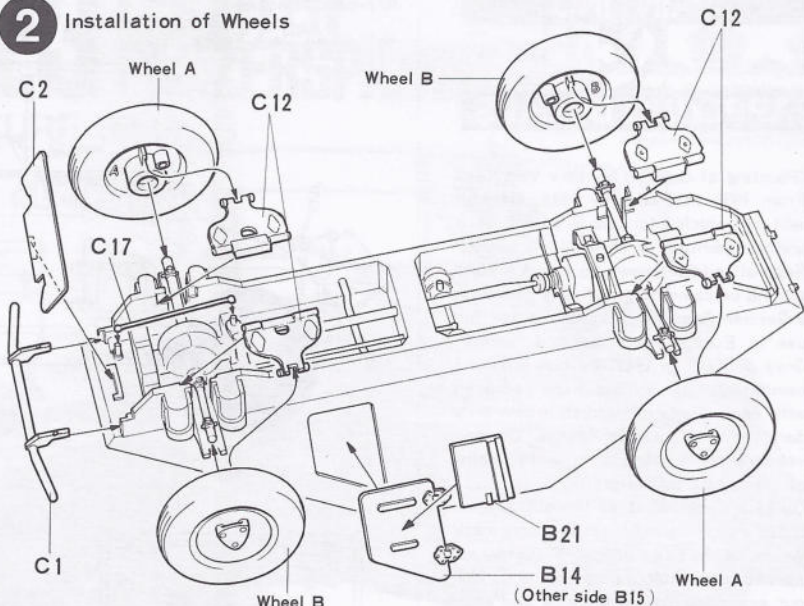
### (Construction and Painting of Figure B)



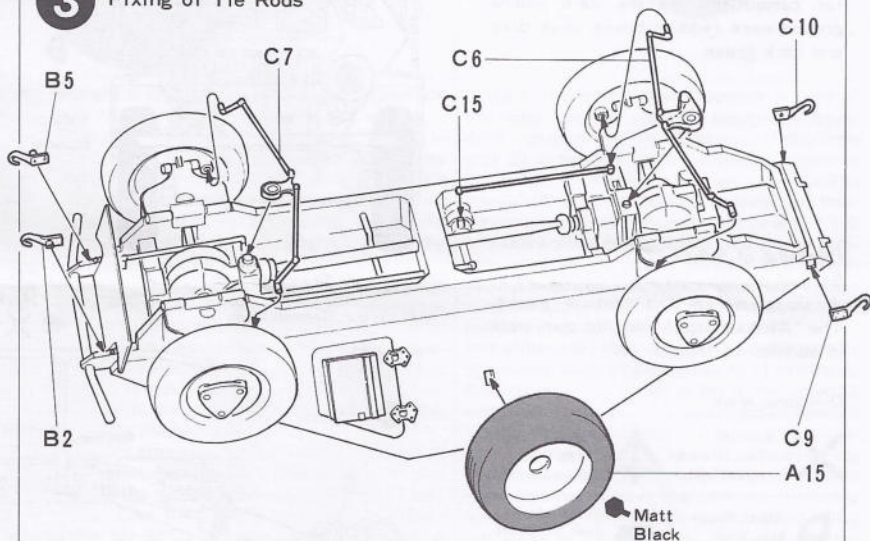
### TAMIYA FARBKATALOG IN DEUTSCHER SPRACHE

Letzte Neuheiten von Autos, Booten, Tanks und Schiffen. Im Tamiya-Katalog in deutscher Sprache sind alle Modelle, ob Motorisierte, Ferngesteuerte oder Museum-Qualitates-Modelle, farbig Abgebildet.

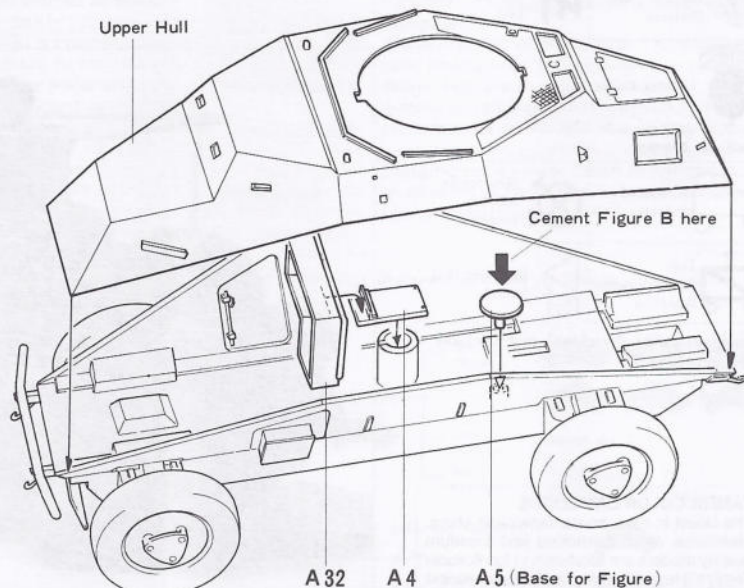
## 2 Installation of Wheels



## 3 Fixing of Tie Rods



## 4 Fixing of Upper Hull

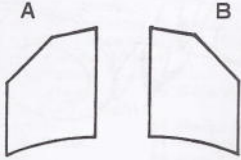


### 5 (Fixing of Fenders)

Before cementing, fit each fender in place by way of trial to make sure where to apply cement.

### 6 (Construction of Turret)

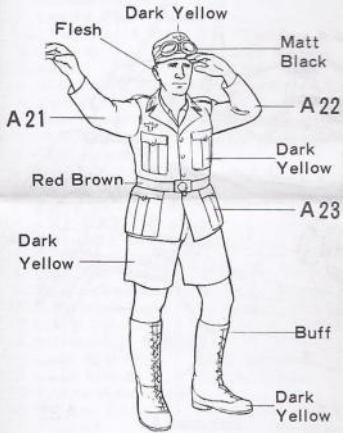
Cement meshes to Turret Mesh Frames. The Frames should be fixed to the Turret in an open or closed position. If you are to put Model Figure in the turret, it is better to keep them open. Mesh patterns drawn to scale are given below. Reproduce them on other paper to facilitate use.



### 7 (Fixing of Upper Hull Parts)

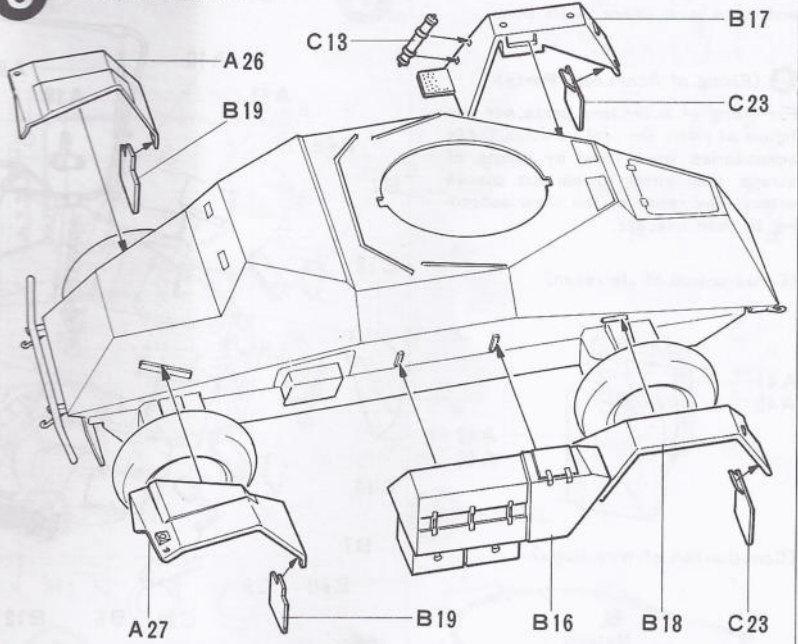
Before fixing parts, check their number and make sure where to fix them. Put the Turret in the direction shown in the figure and then turn it.

#### (Construction and Painting of Figure A)

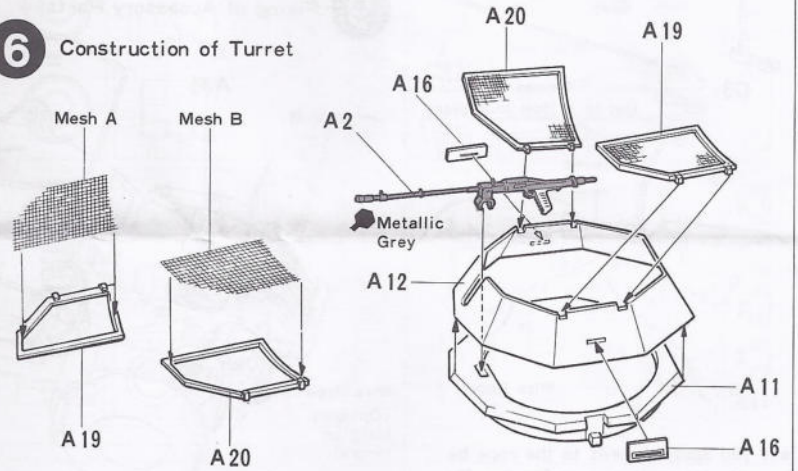


★Let the right arm of Figure A touch Antenna. See the box top.

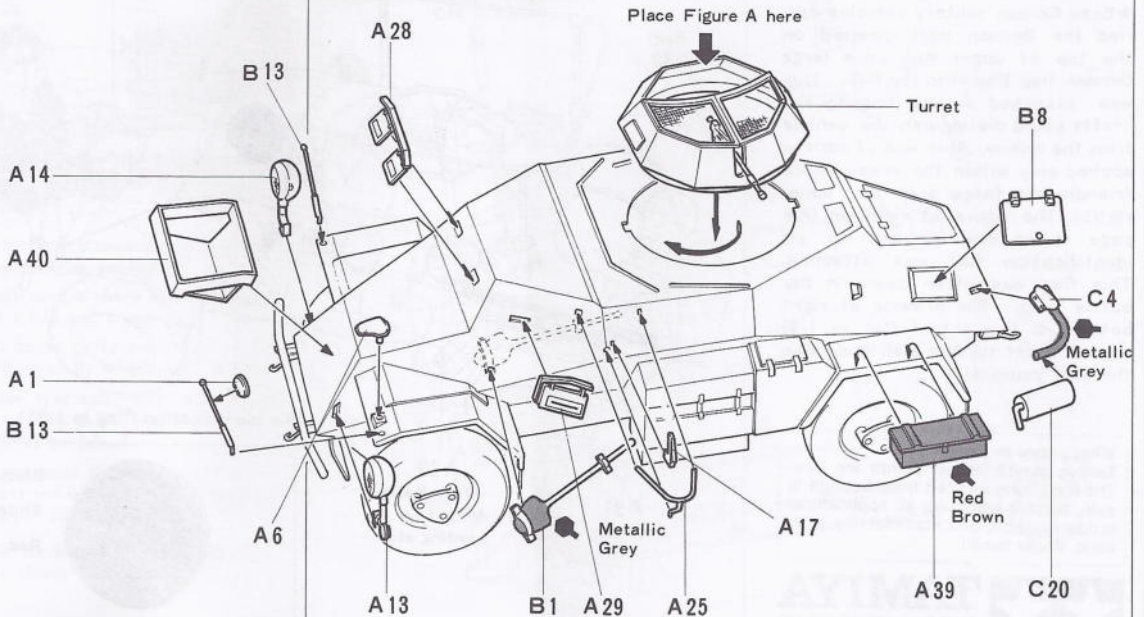
### 5 Fixing of Fenders



### 6 Construction of Turret



### 7 Fixing of Upper Hull Parts



### 8 (Fixing of Antenna)

Before fixing parts, check their number and make sure where to fix them.

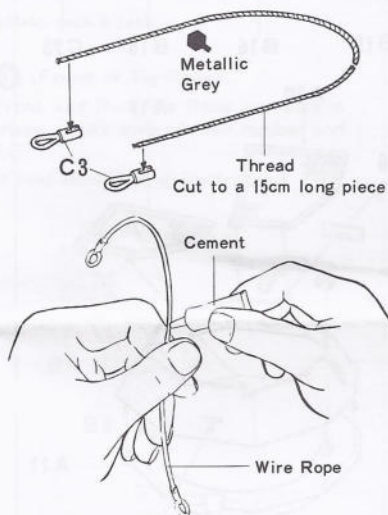
### 9 (Fixing of Accessory Parts)

For fixing of accessory parts, see the figure at right. On real vehicles, these accessories were fixed by means of straps and wires to various places within easy reach of the crew according to their use, etc.

#### (Construction of Jerrycan)



#### (Construction of Wire Rope)



★If you apply cement to the rope before stretching it around Bumper, the rope will be added the natural curve when dried.

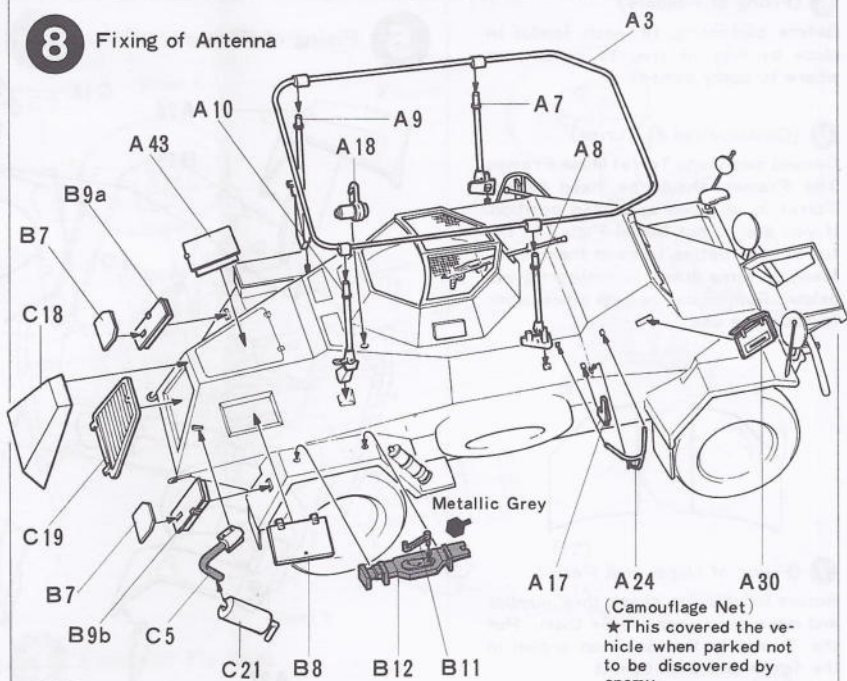
#### (Air Identification Flag)

★Some German military vehicles carried the German mark painted on the top of upper hull or a large German flag tied onto the hull. This was attached so that friendly aircrafts could distinguish the vehicle from the enemy. This was of course applied only within the areas where friendly air force took air superiority. The figure at right on this page shows one to which an air identification flag was attached. This flag was often seen on the battle field. The drawing at right bottom is the actual flag in 1/35 scale. Refer to this plan and make the flag yourself.

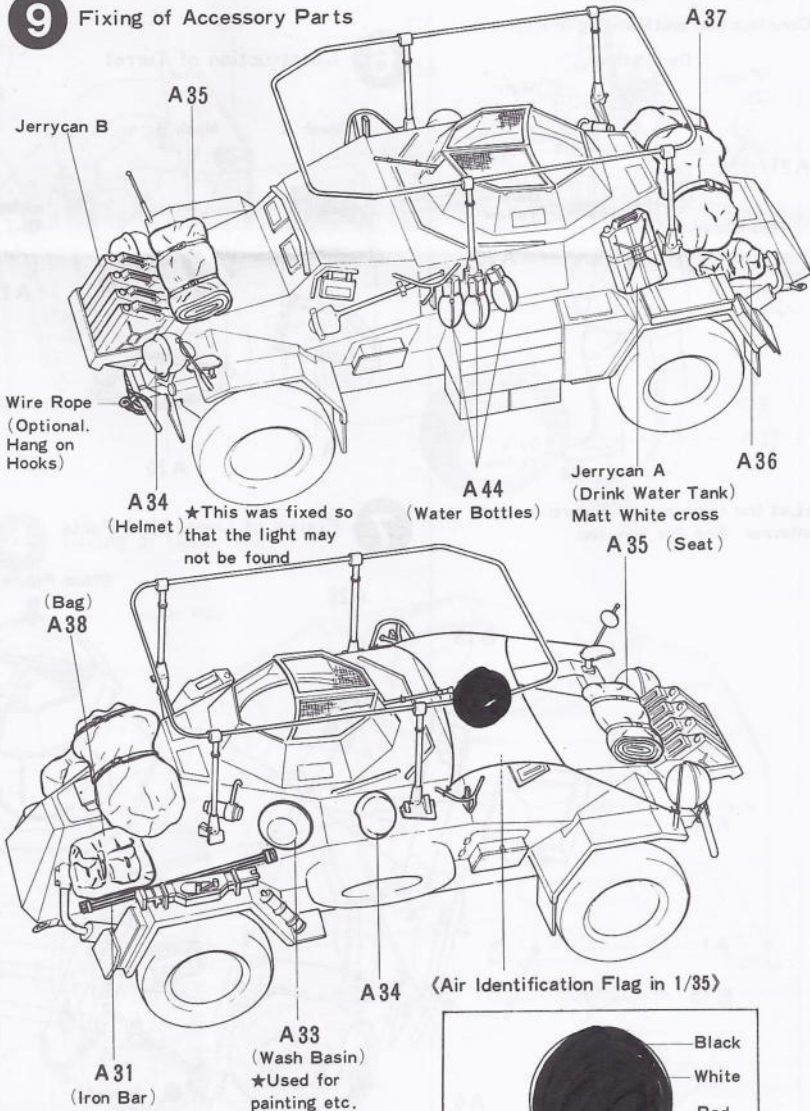
#### What's New in Finishes?

Tamiya acrylic model paints are new. The final, long awaited breakthrough in safe, durable paints for all applications is now available. Low Flammability, Non-toxic, Water based.

### 8 Fixing of Antenna



### 9 Fixing of Accessory Parts



Black  
White  
Red



**TAMIYA**  
TAMIYA PLASTIC MODEL CO.  
3-7, ONDAWARA, SHIZUOKA-CITY, JAPAN.

# PAINTING



# APPLYING DECALS

(Painting of German Military Vehicles)  
From 1935 to February 1943, German military vehicles for use in Africa wore uniform painting of dark yellow, camouflage of reddish brown on a dark yellow ground or camouflage of dark green on a German Grey ground, while those for use in Europe were painted German Grey overall. In 1942, the two kinds of camouflage for Africa were replaced with camouflage of reddish brown on a dark yellow ground. In Russia, German vehicles were painted in water paint of flat white in winter.

On 18th February 1943, the military authorities decided to accept only dark yellow as the basic colour. Field forces applied other colours on the basic colour according to the terrains and gave various camouflage patterns. Applied for camouflage on the dark yellow ground were reddish brown, olive drab and dark green.

### (Marking of Sdkfz 223)

German marking generally consisted of divisional marks and tactical marks. The "Afrika Korps" used its own mark in addition to them.

#### Divisional Mark

	Wehrmacht 5th Tank Division European Theatre		Africa Corps 15th Tank Division
	Africa Corps 21st Tank Division		Wehrmacht Tank Grenadier Division "Gross- deutschland"
	Waffen SS 1st SS Tank Division		Waffen SS 2nd SS Tank Division



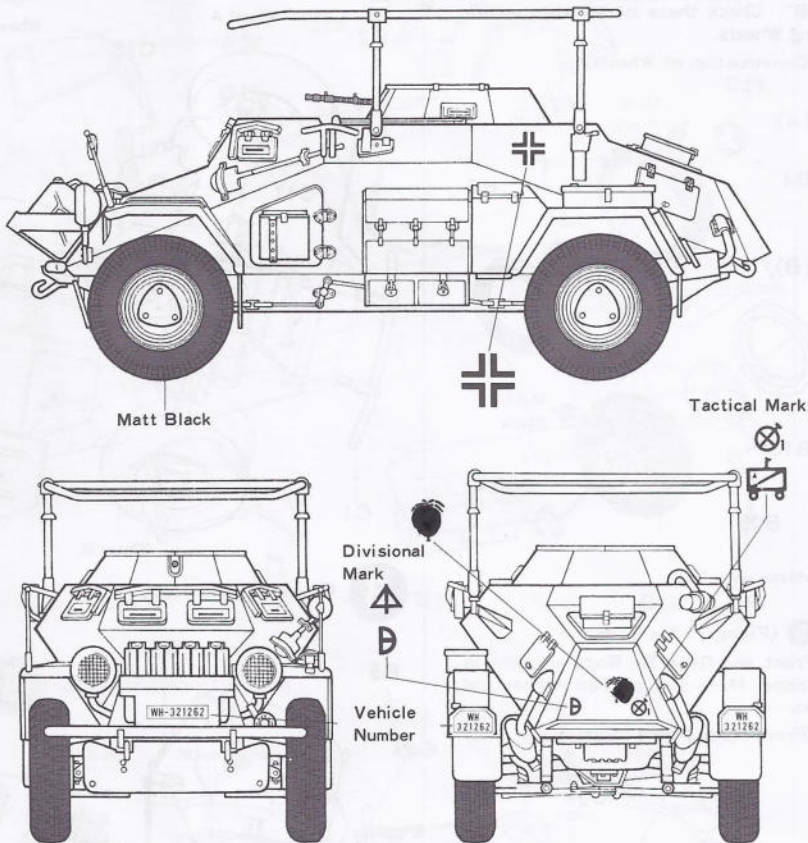
#### Tactical Marks

	Armoured Vehicles Unit		Motorcycle Infantry Battalion
	Tank Reconnaissance Battalion		Battalion H.Q. Vehicle

Combination of divisional and tactical marks are free.

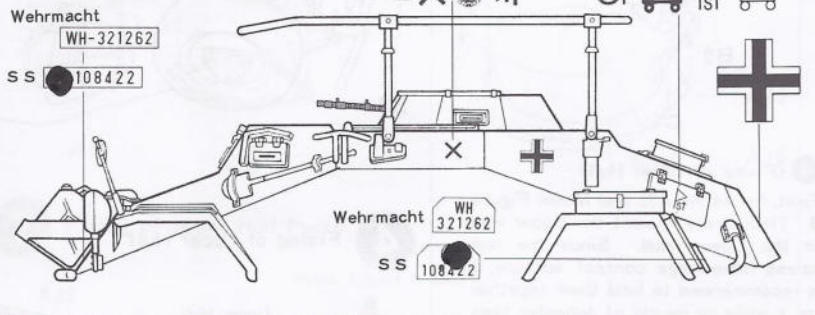
### African Theatre

Hull colour: Dark Yellow



### European Theatre

Hull colour: German Grey



### TAMIYA COLOR CATALOGUE

The latest in cars, boats, tanks and ships. Motorized, radio controlled and museum quality models are all shown in full color in Tamiya's latest catalogue. At your nearest hobby supply house.