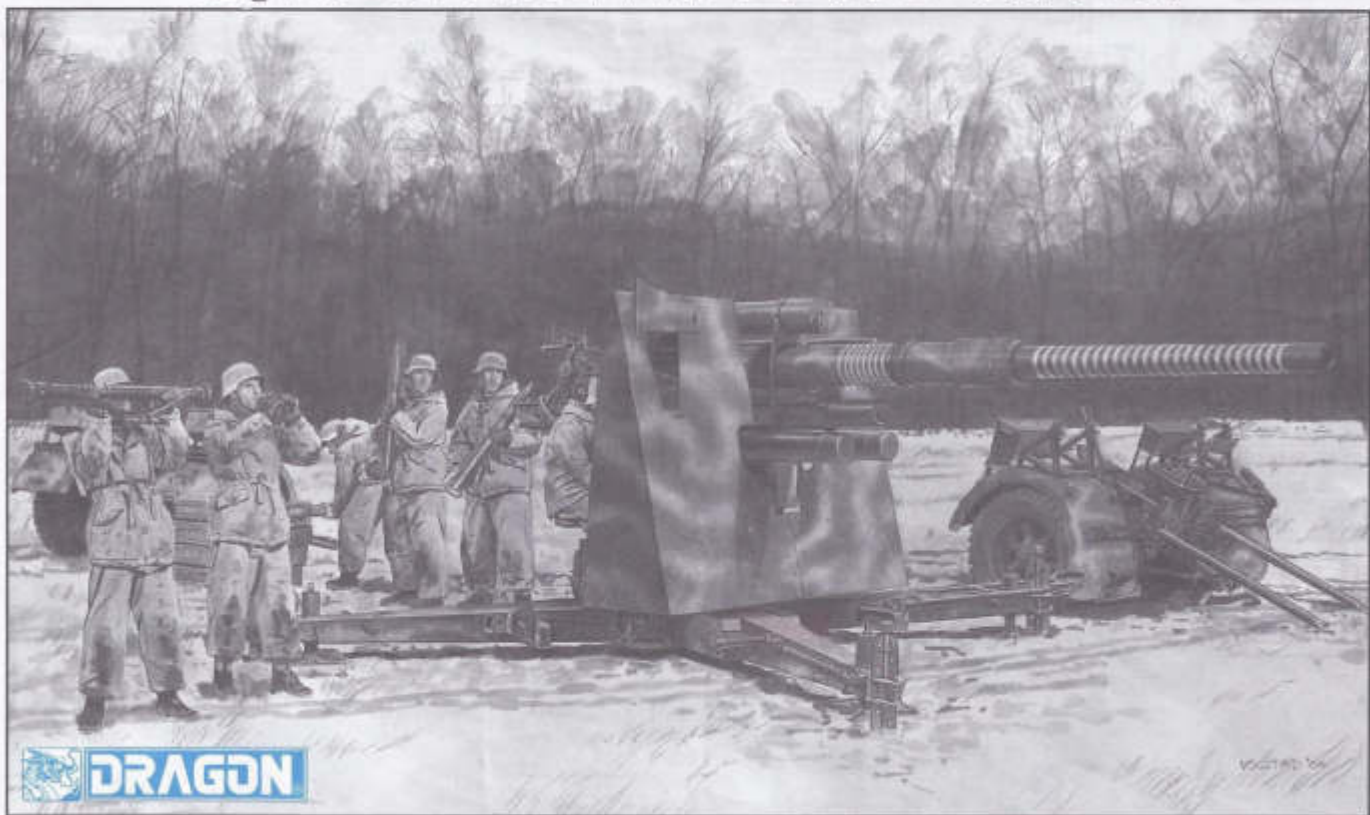


1:35 '39-'45 SERIES

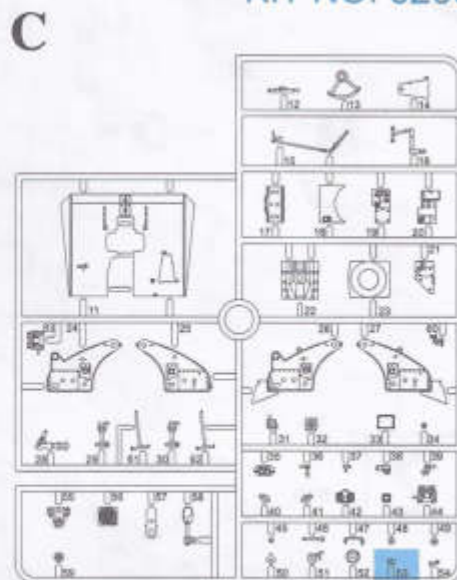
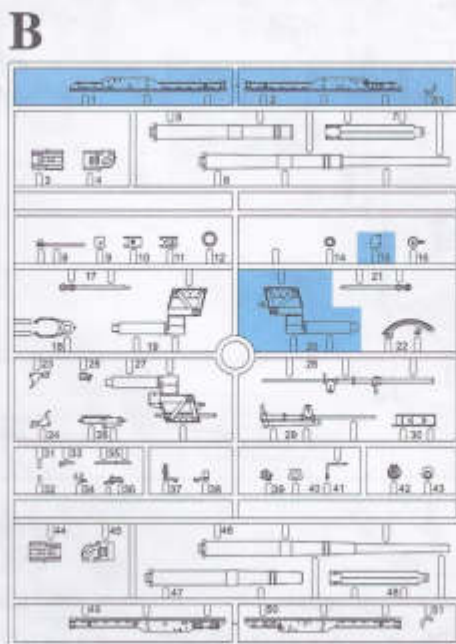
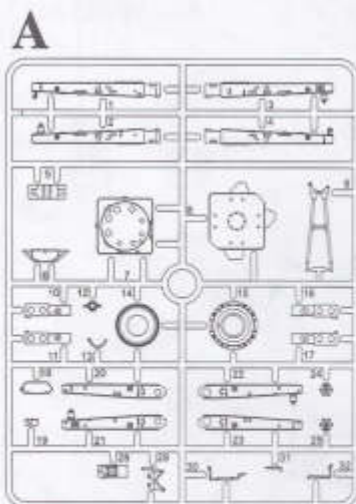
88mm FLAK 36

w/FLAK ARTILLERY CREW

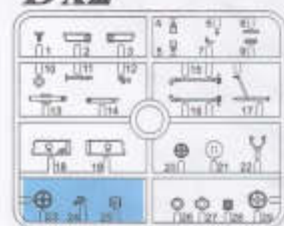


Project supervised by HIROHISA TAKADA. Technical drawings provided by SHIN OKADA.

KIT NO. 6260



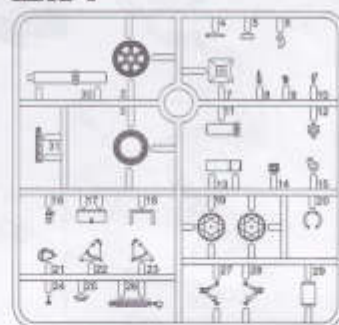
Dx2



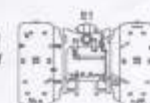
H



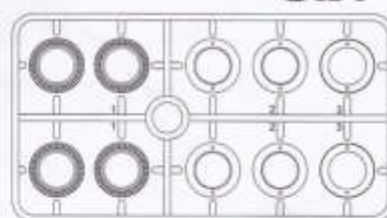
Ex4



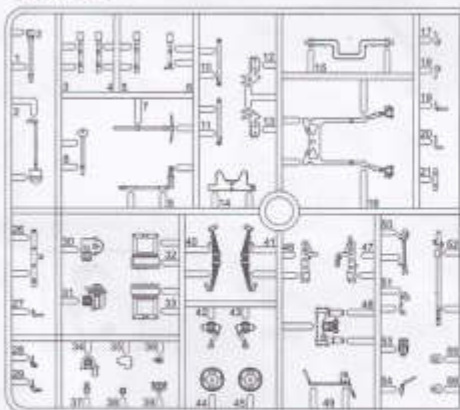
Ex2



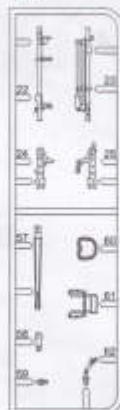
Gx4



Fx2

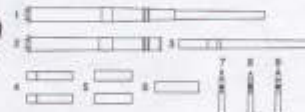


F



MD

(Metal Parts)



MA

(Photo-etched Parts)



MB

(Photo-etched Parts)



MC

(Metal Chains)



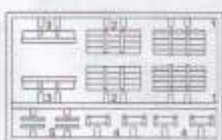
(200cm Cable)



Z

の部品は使用しません
Parts not for use.
Teile werden nicht verwendet.
Pièces à ne pas utiliser.
Parti nin ulizzati.
不要部品の部品

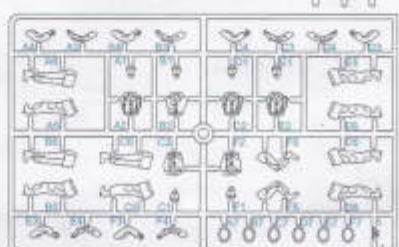
M



Q

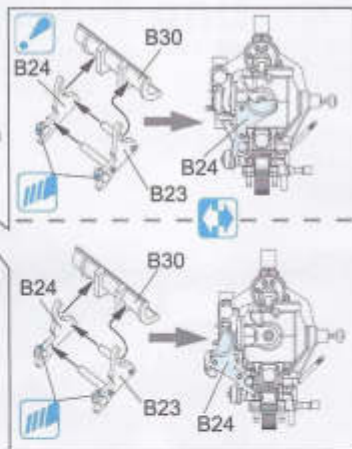
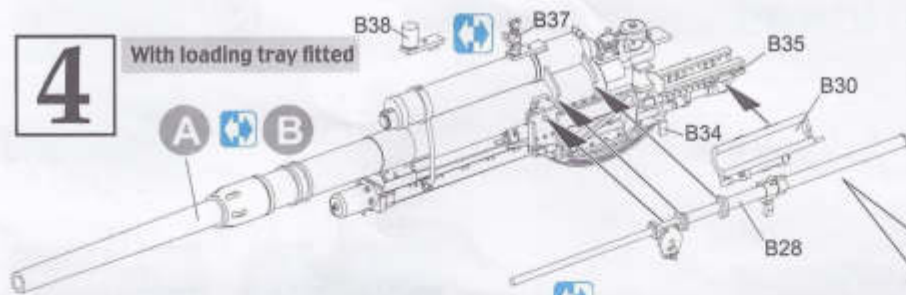


J

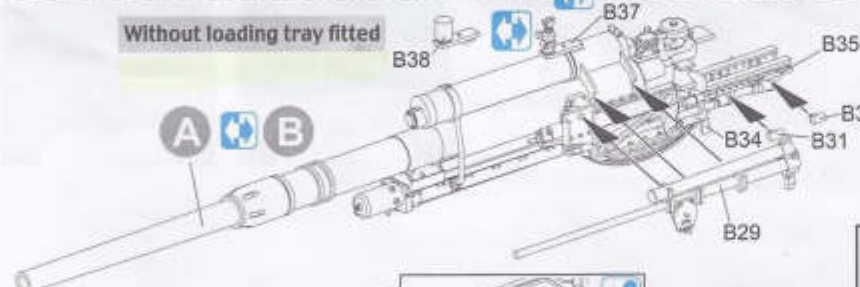


4

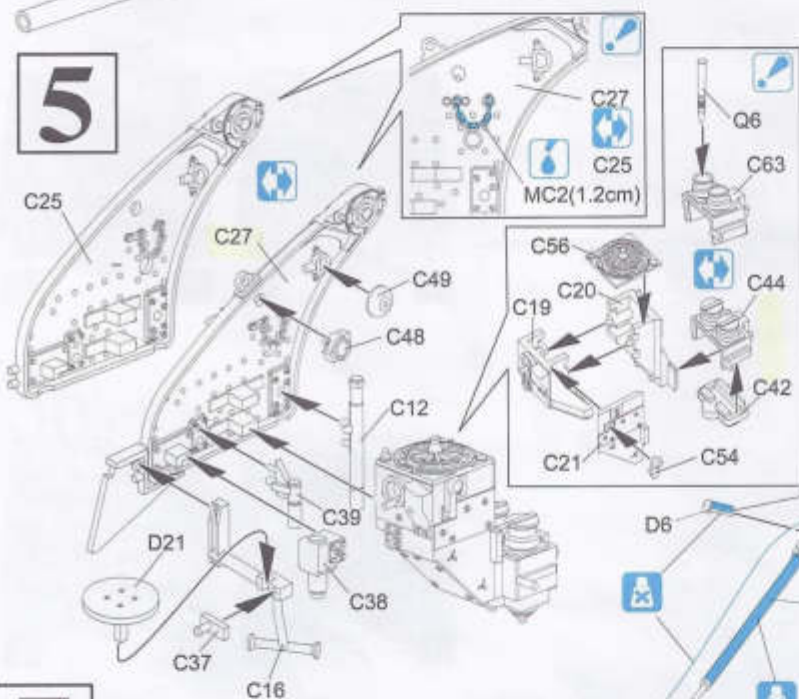
With loading tray fitted



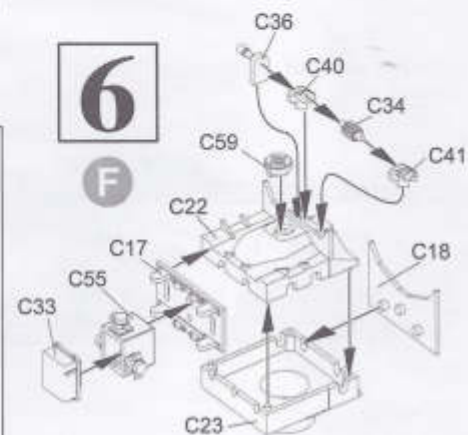
Without loading tray fitted



5



6



7

Parts C26 and C27

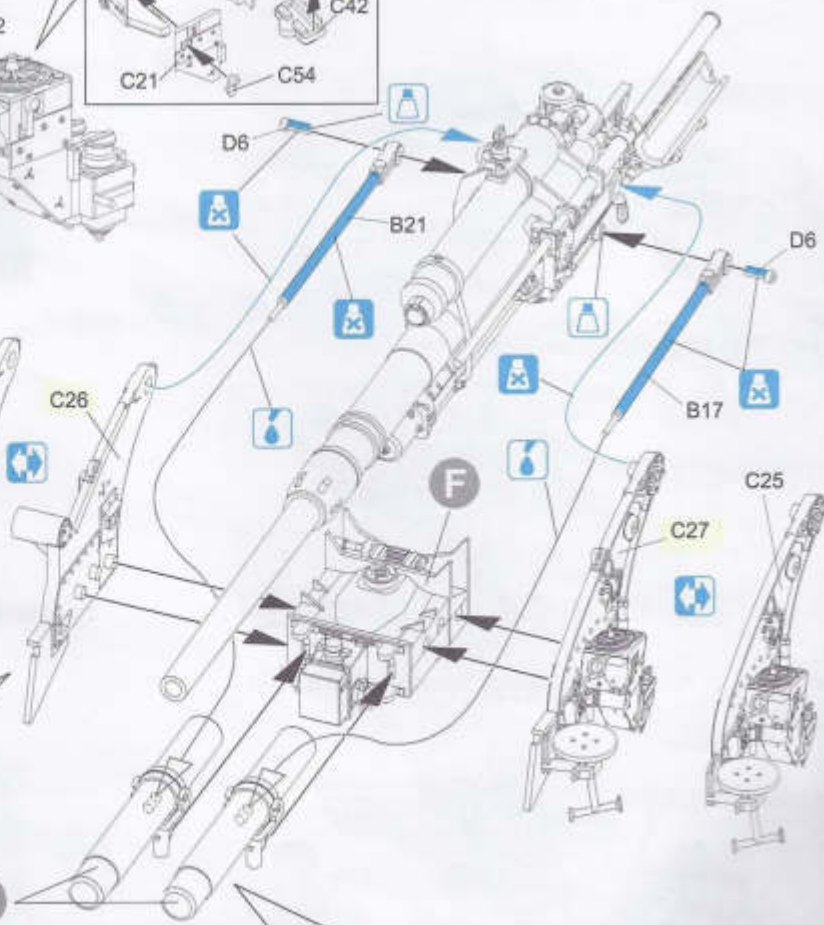
Cradle with gun shield fitted

Parts C24 and C25

Cradle without gun shield fitted

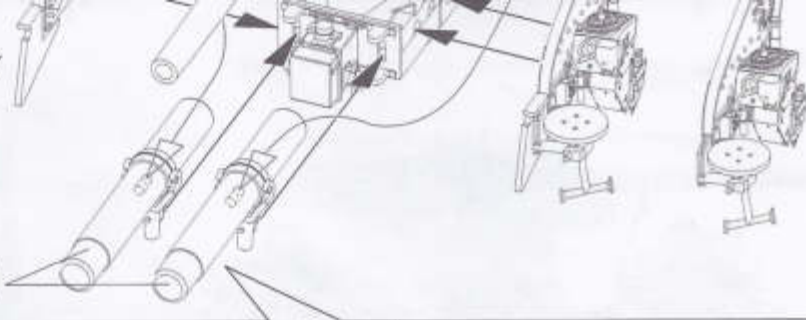


C D E

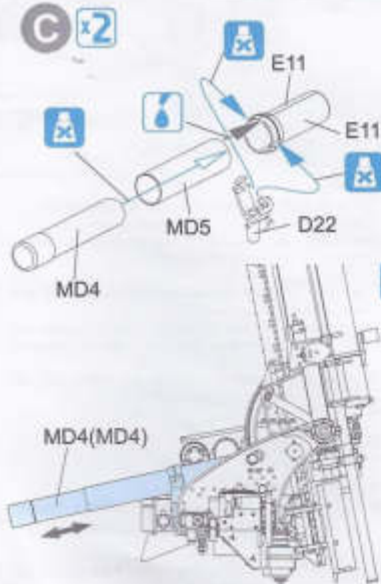




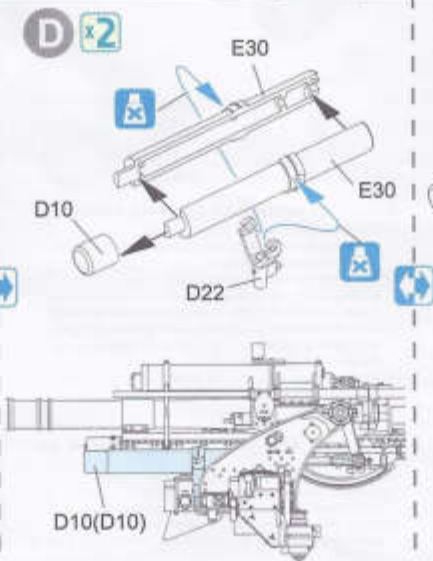
C D E



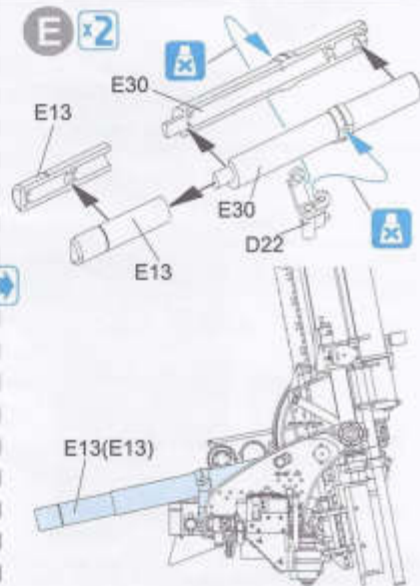
C x2



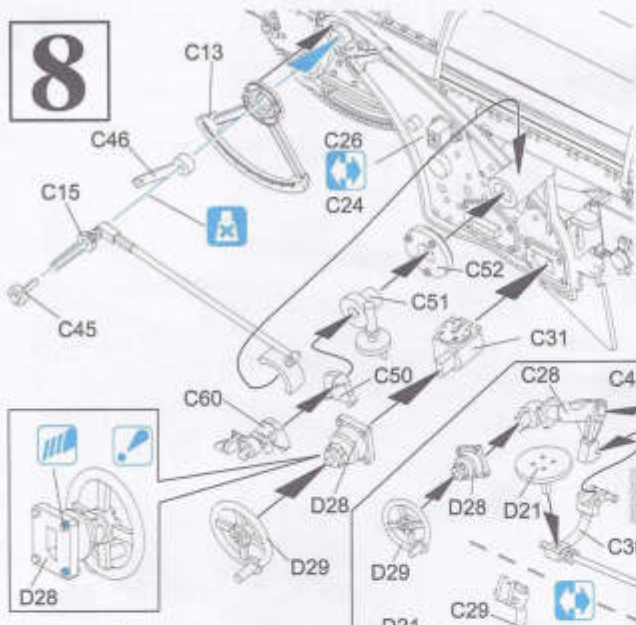
D x2



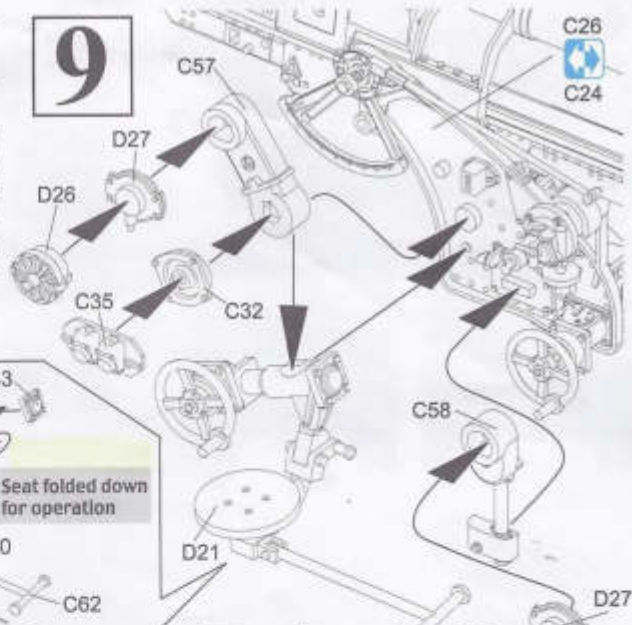
E x2



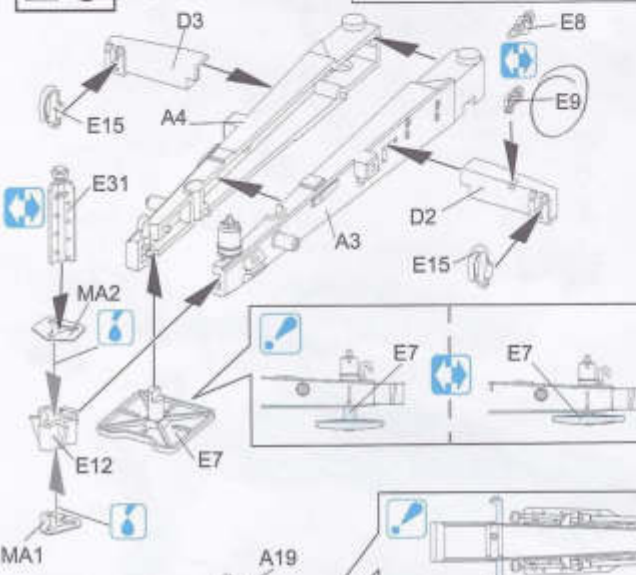
8



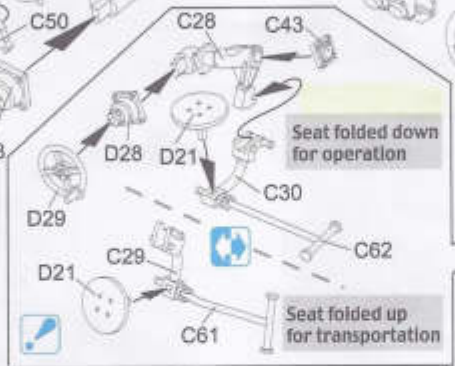
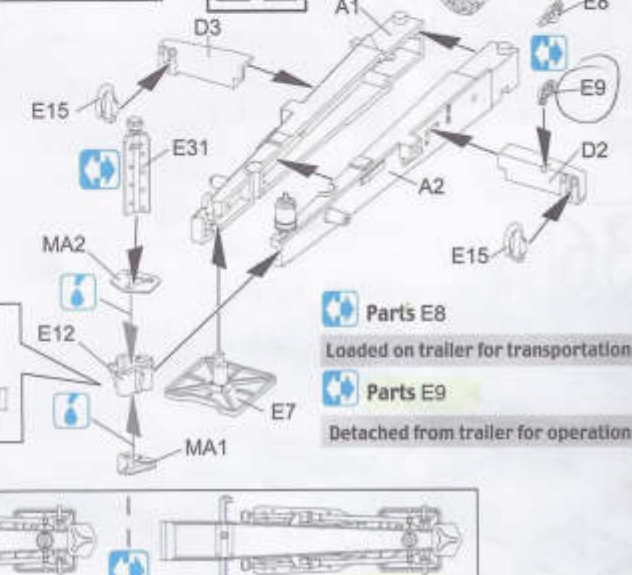
9





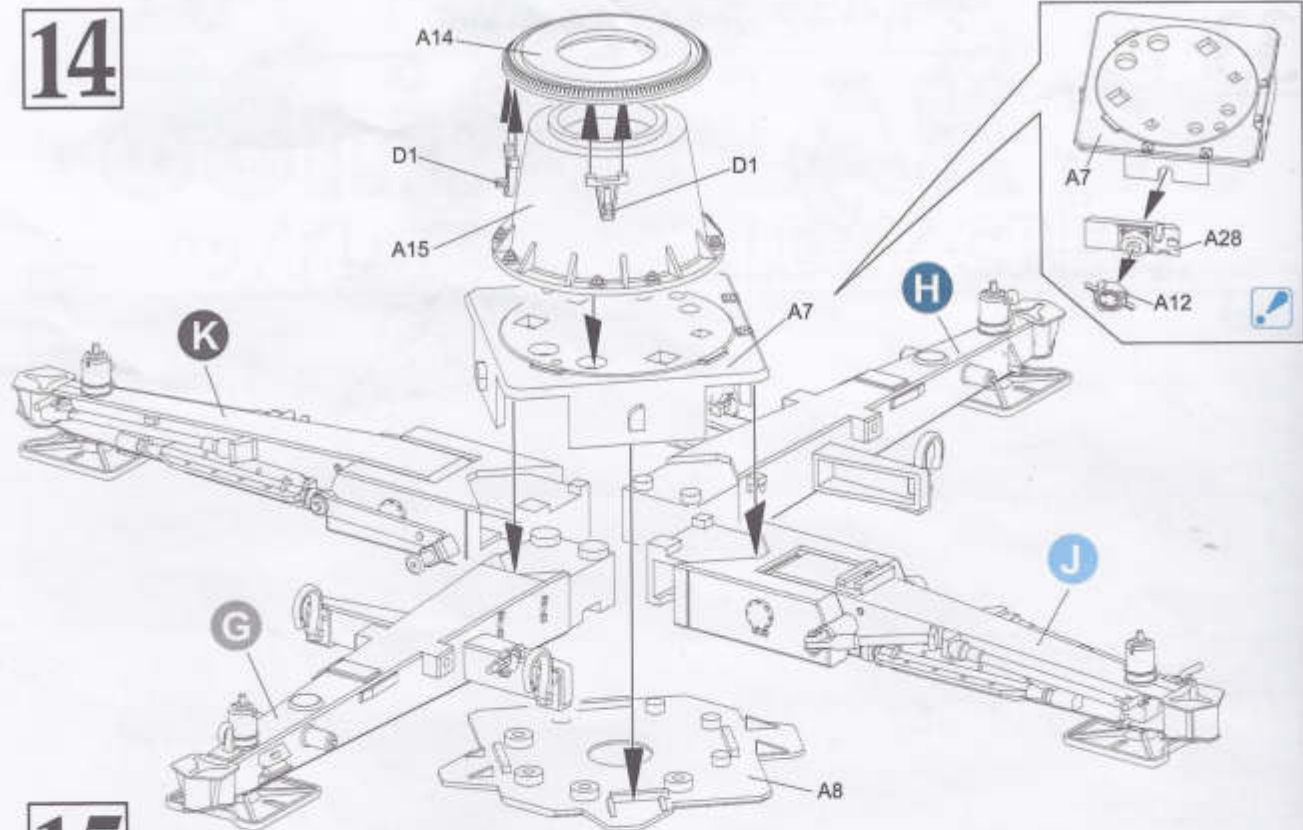
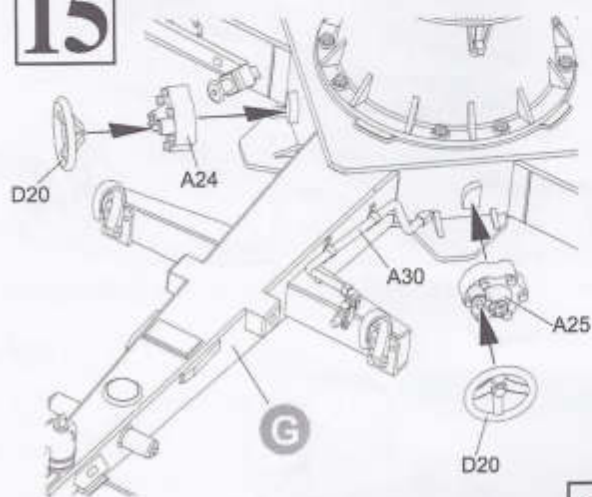
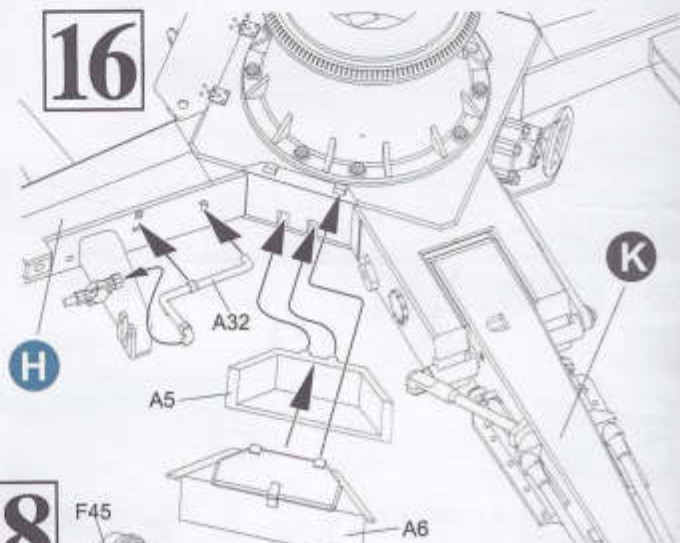
10 G

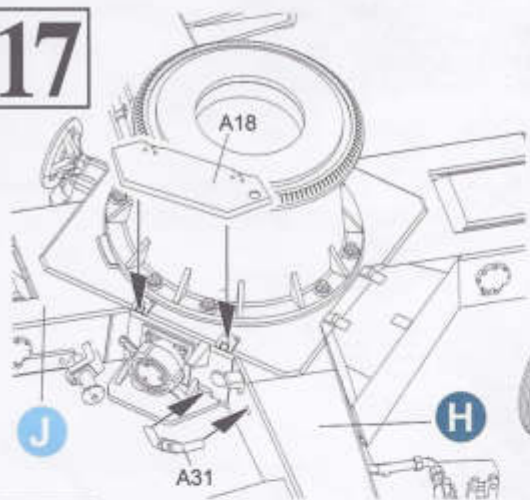
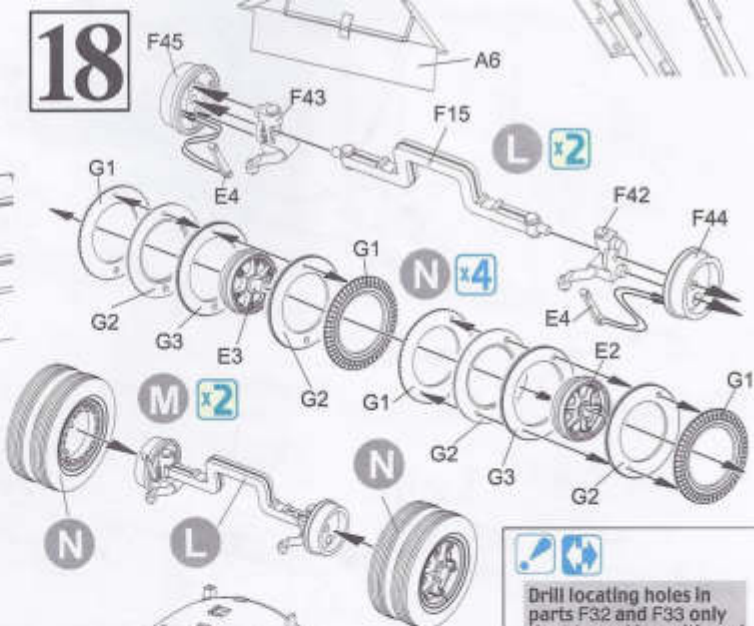
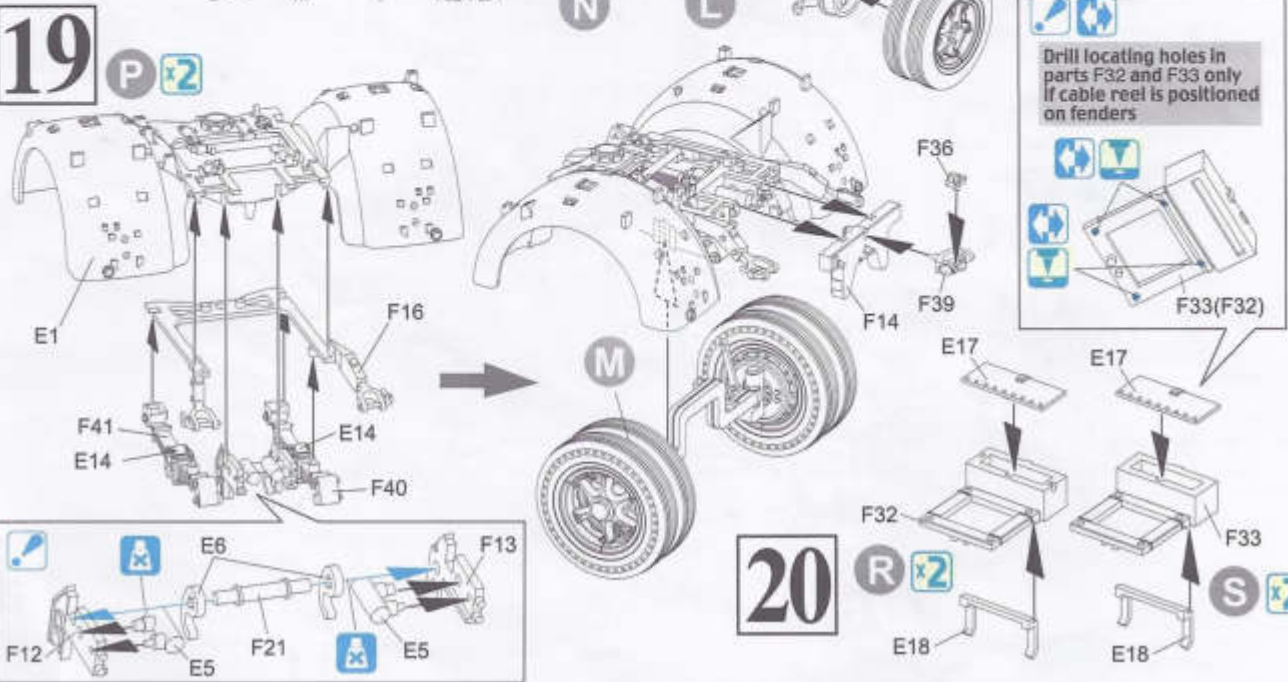
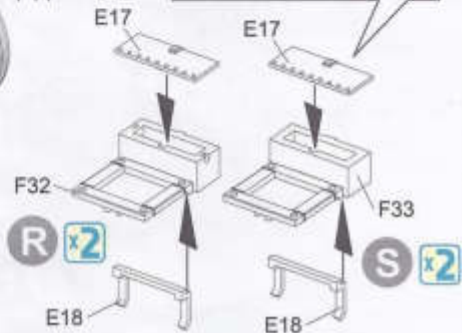


11 H

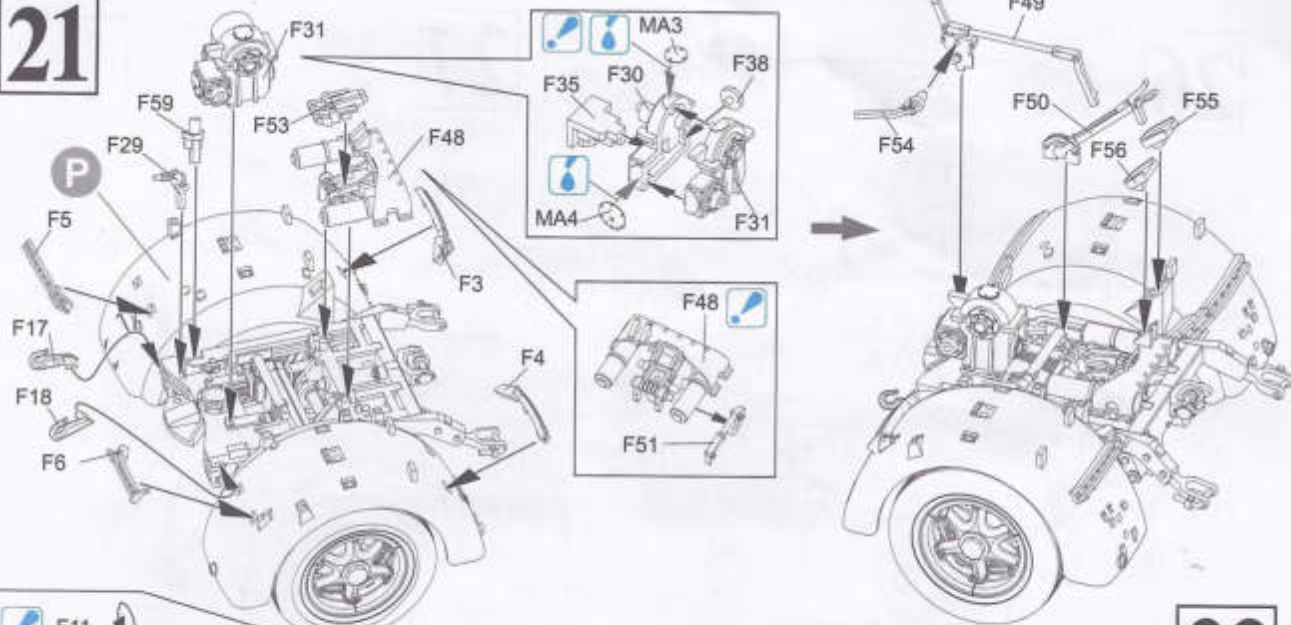


-  **Part E8**
Loaded on trailer for transportation
-  **Part E9**
Detached from trailer for operation

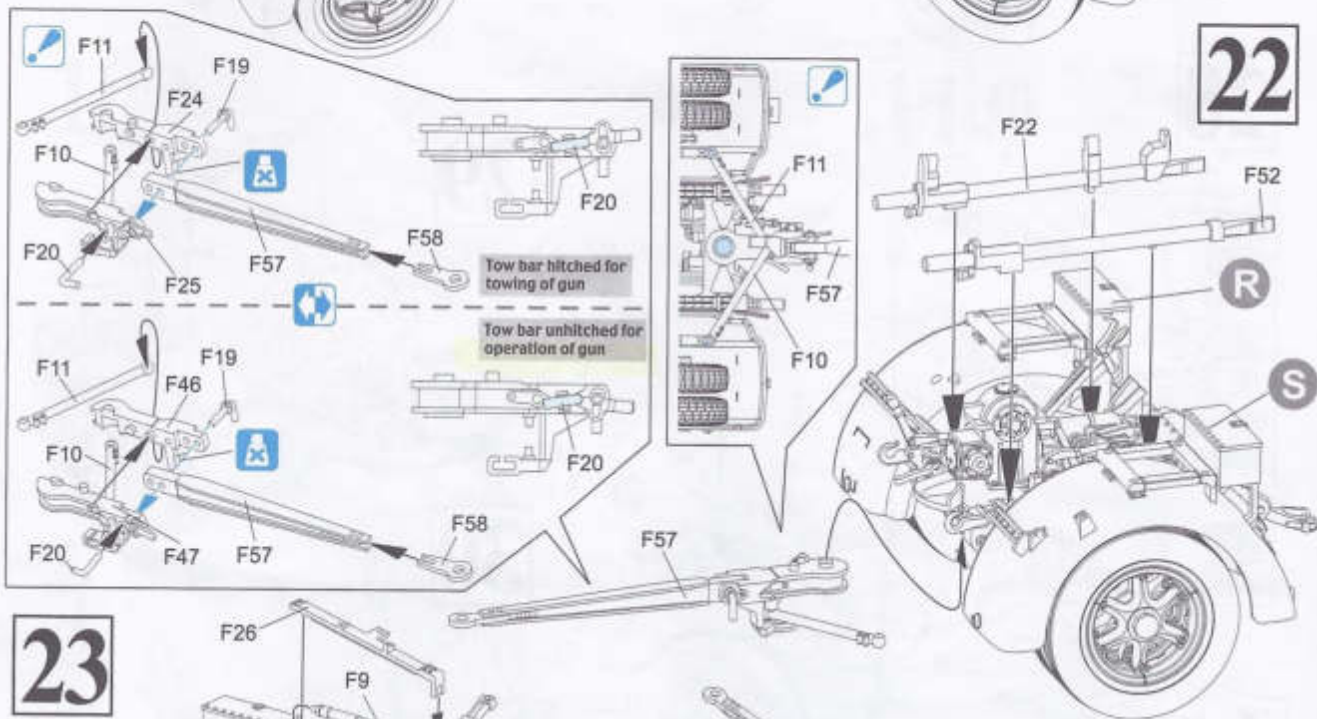
14**15****16****17****18**

17**18****19****20**

21

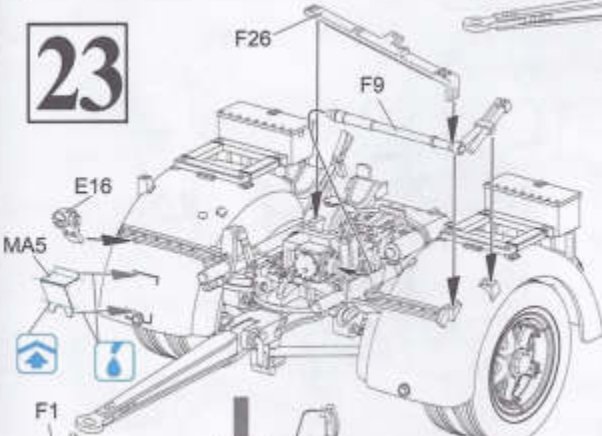
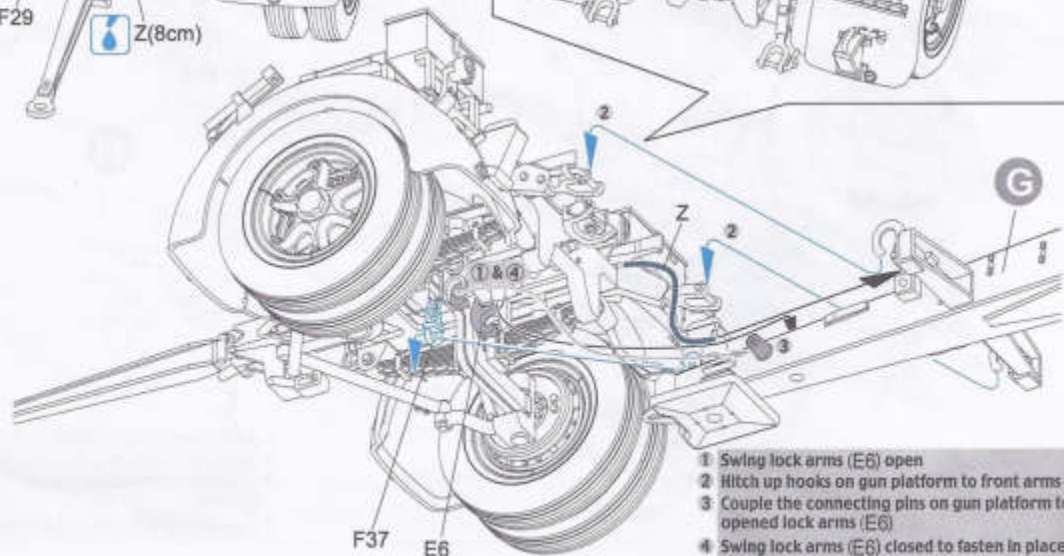
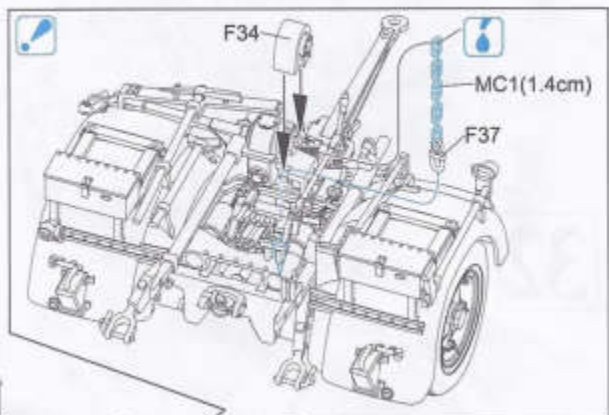
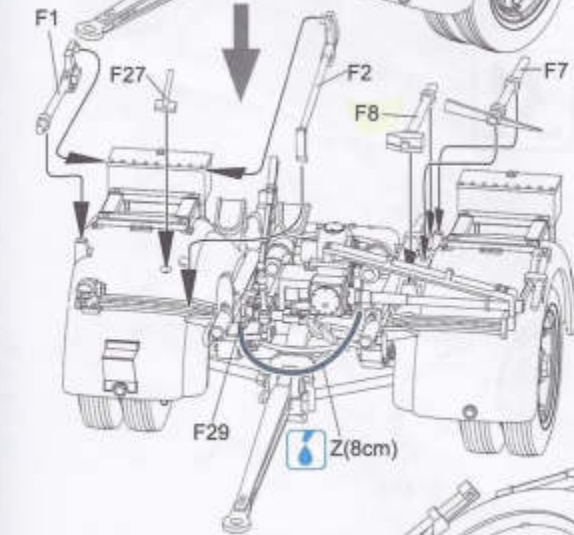
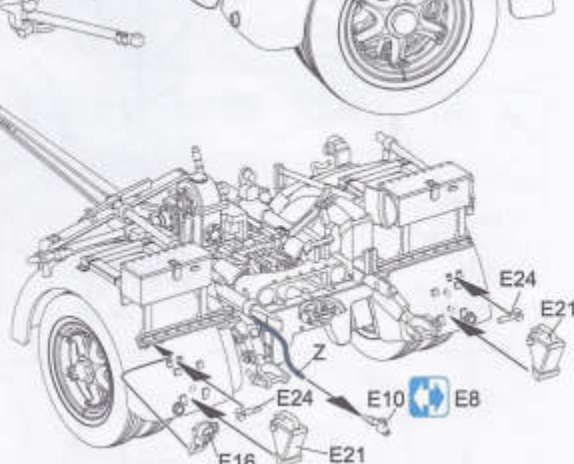


22

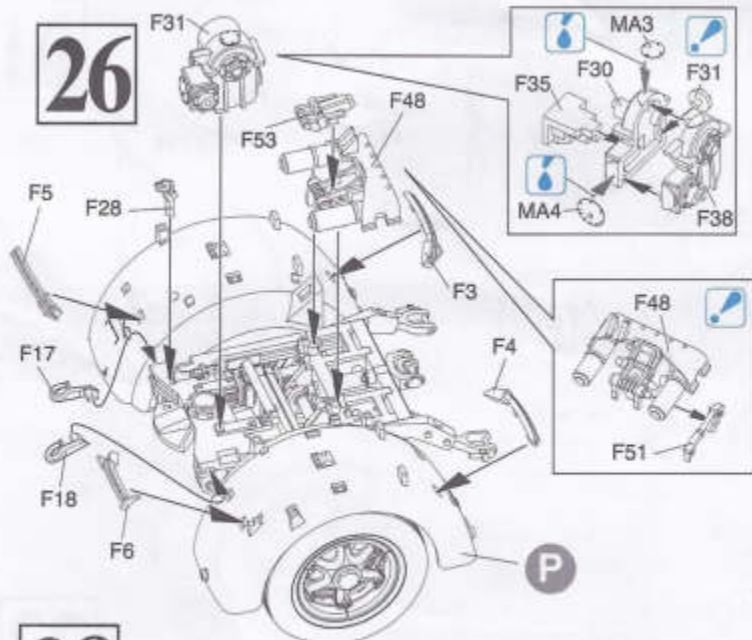
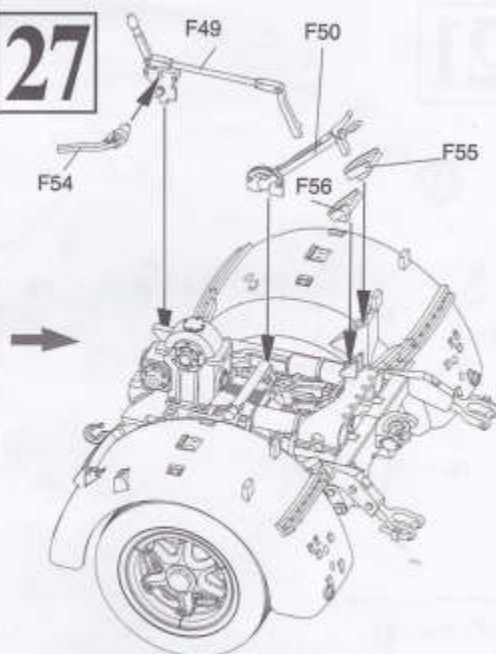
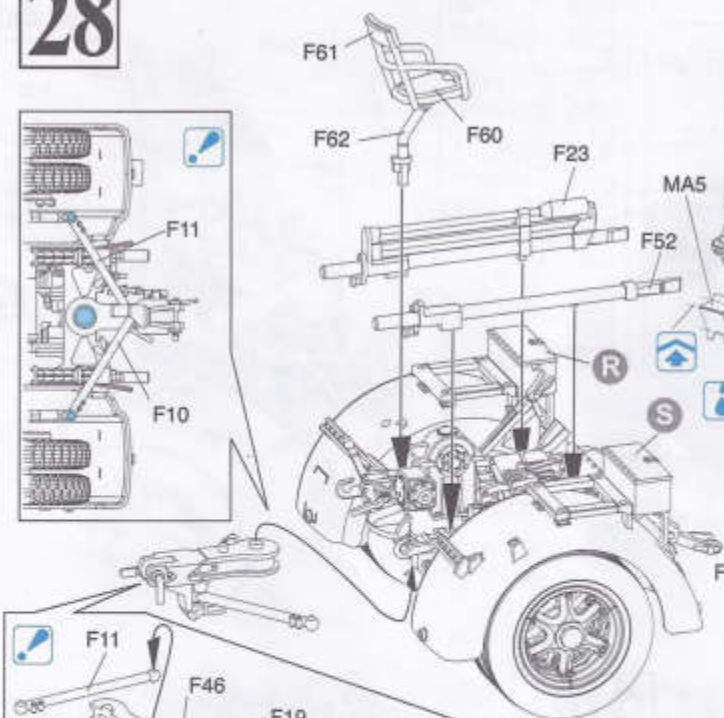
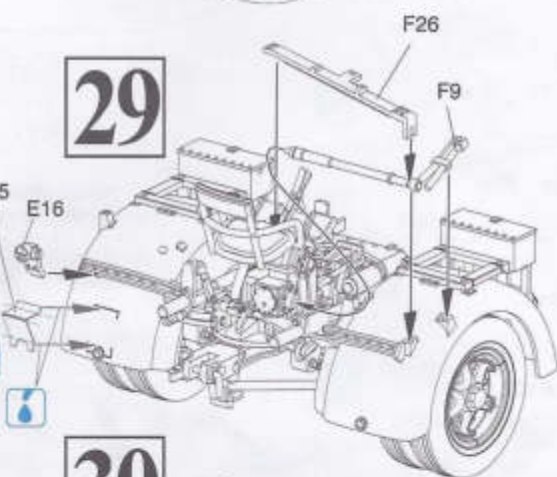
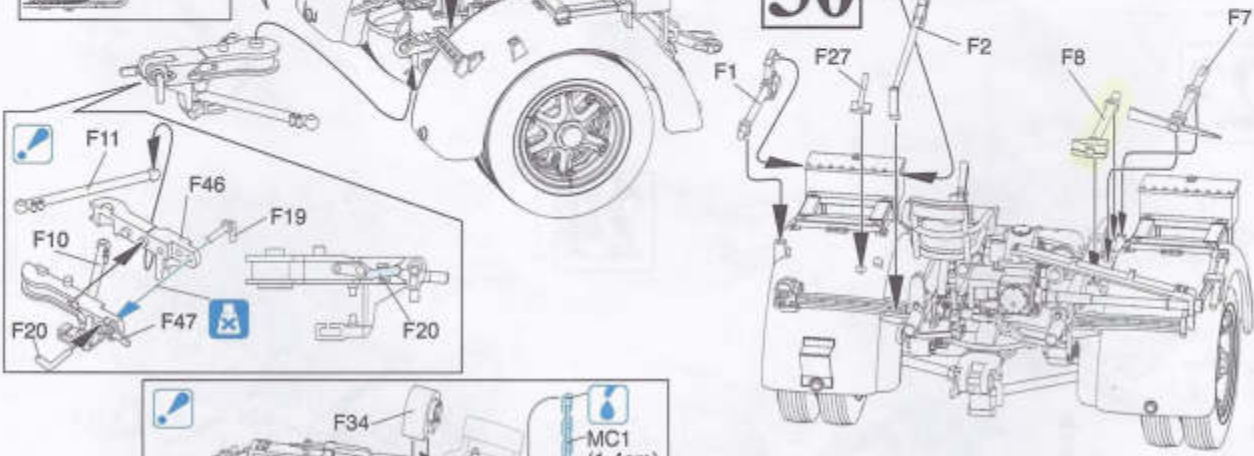


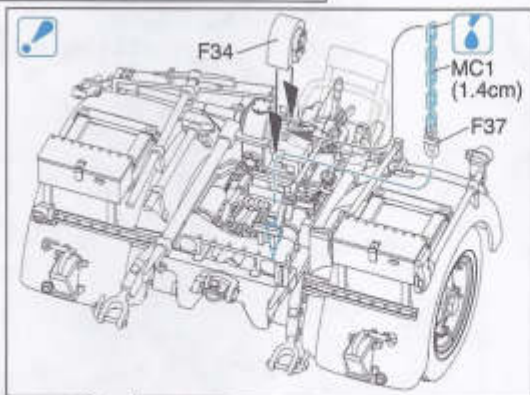
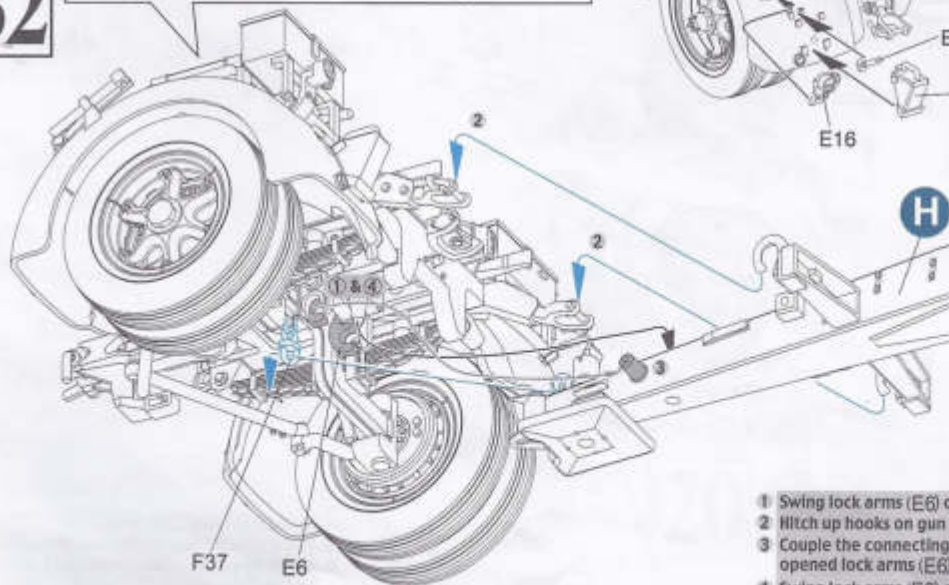
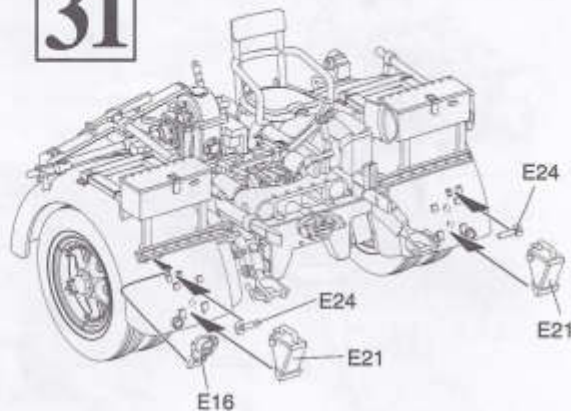
23



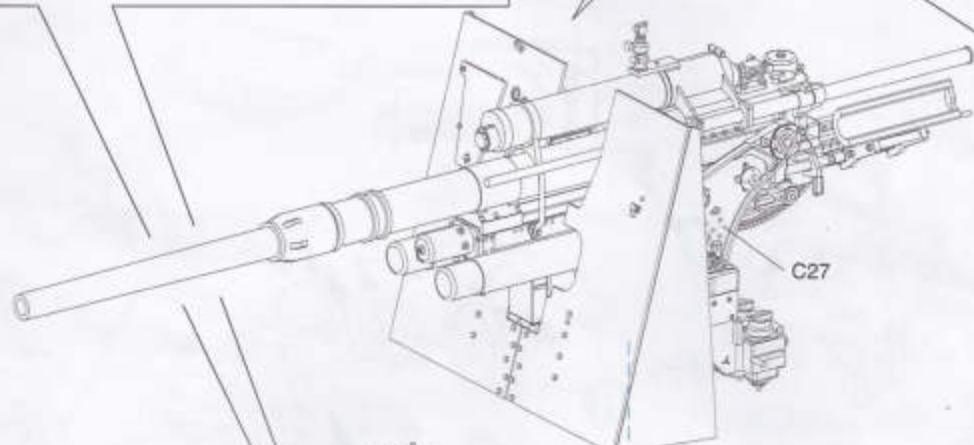
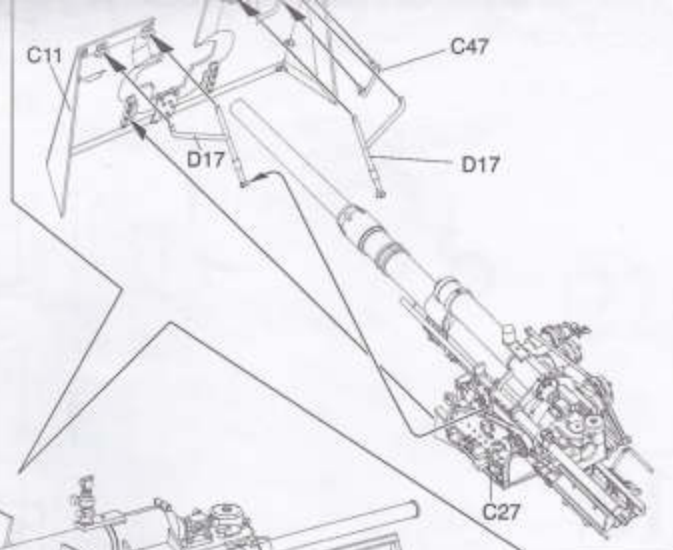
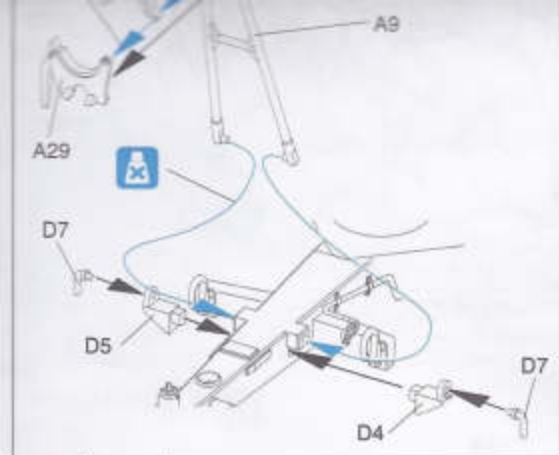
23**24****25**

- 1 Swing lock arms (E6) open
- 2 Hitch up hooks on gun platform to front arms of trailer
- 3 Couple the connecting pins on gun platform to the opened lock arms (E6)
- 4 Swing lock arms (E6) closed to fasten in place

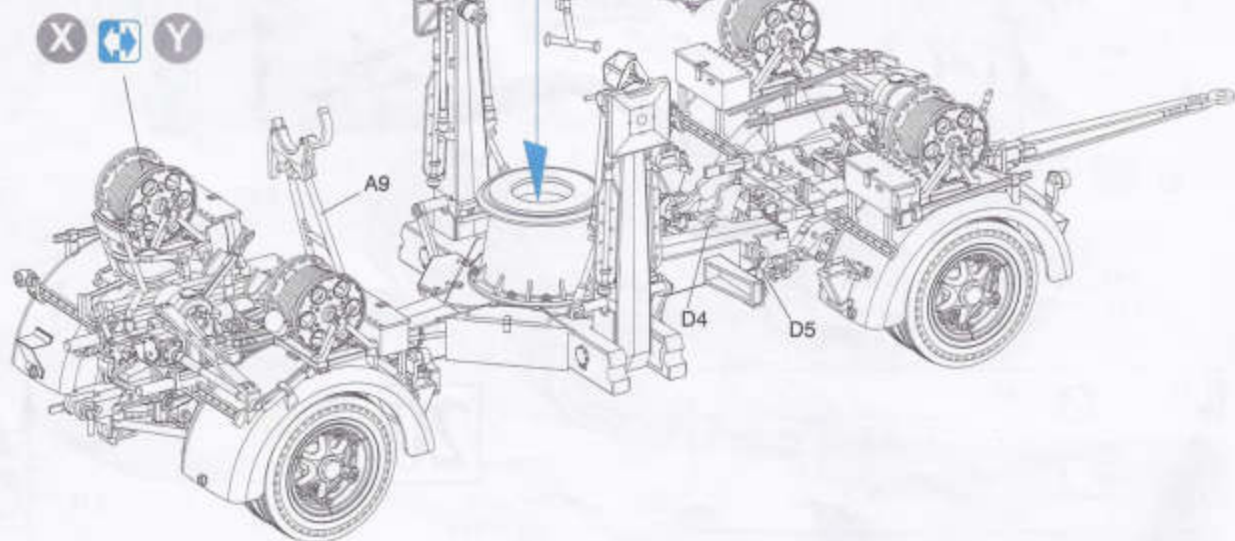
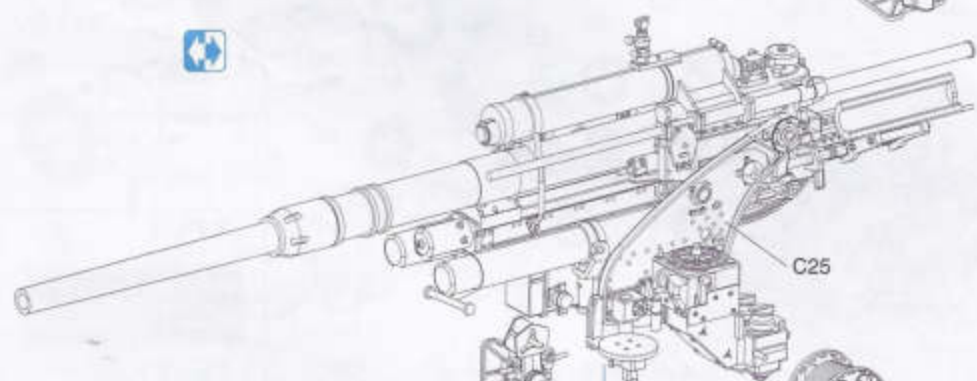
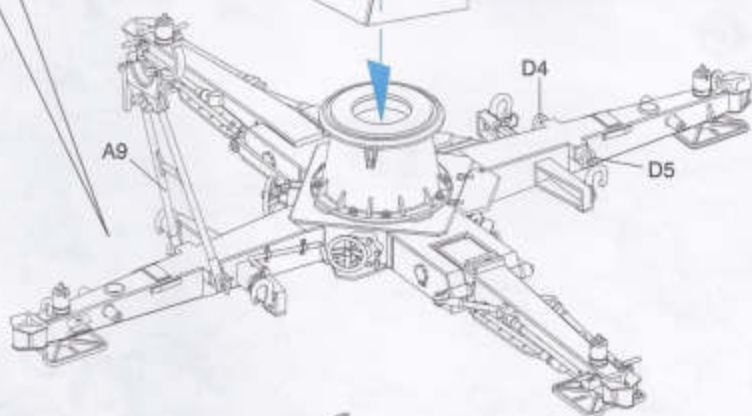
26**27****28****29****30**

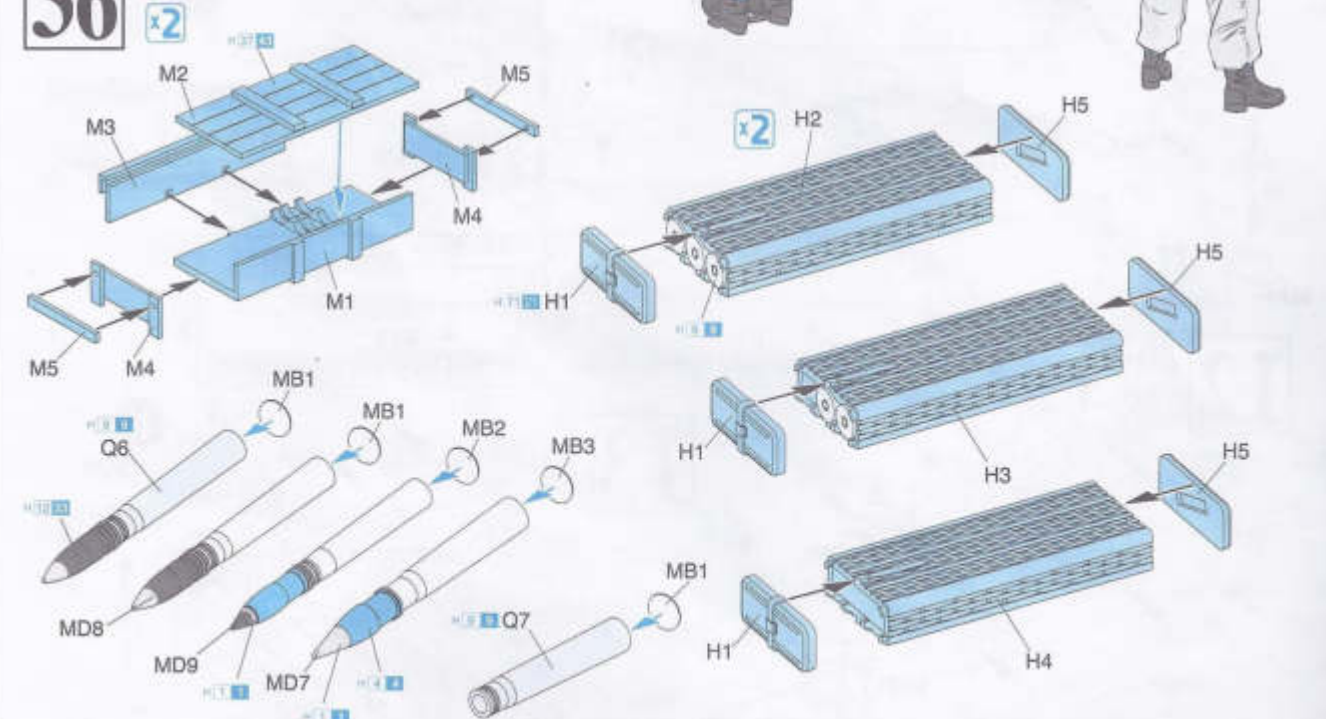
32**31**

- 1 Swing lock arms (E6) open
- 2 Hitch up hooks on gun platform to front arms of trailer
- 3 Couple the connecting pins on gun platform to the opened lock arms (E6)
- 4 Swing lock arms (E6) closed to fasten in place



34





Painting & Markings

マーキング及び塗装図

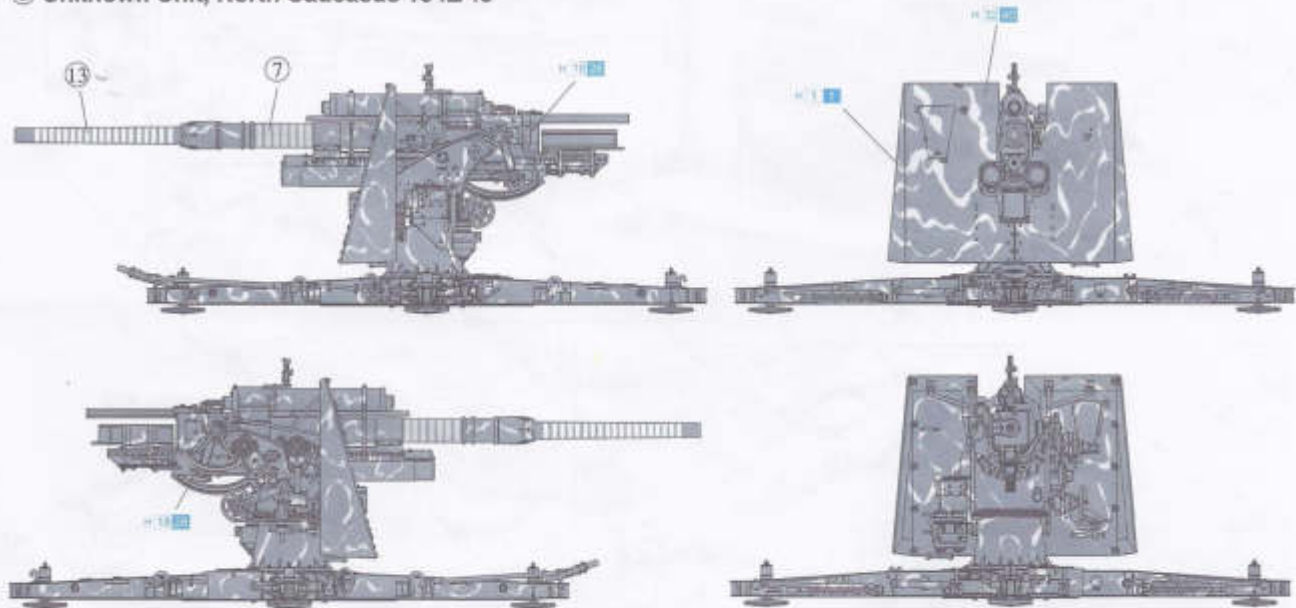
Markierungen und Bemalung

Decoration et Peinture

Marchio & Pitture

標貼及着色指示

① Unknown Unit, North Caucasus 1942/43

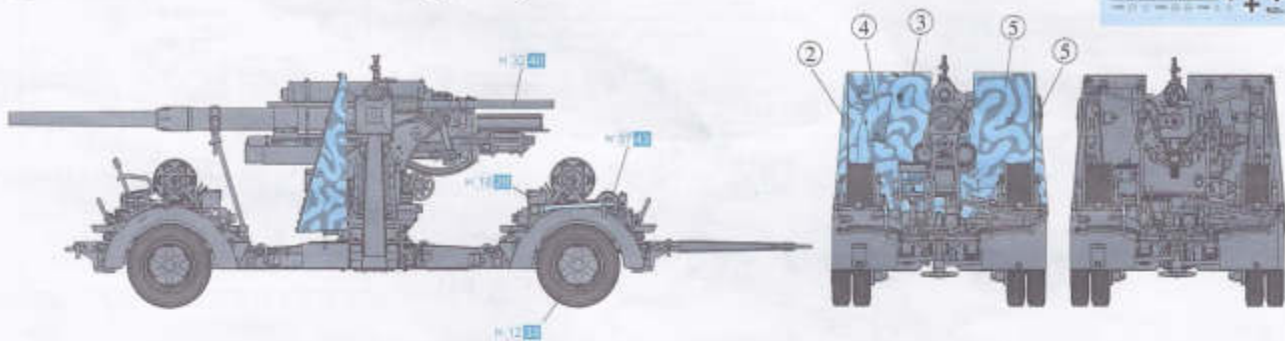


Painting & Markings

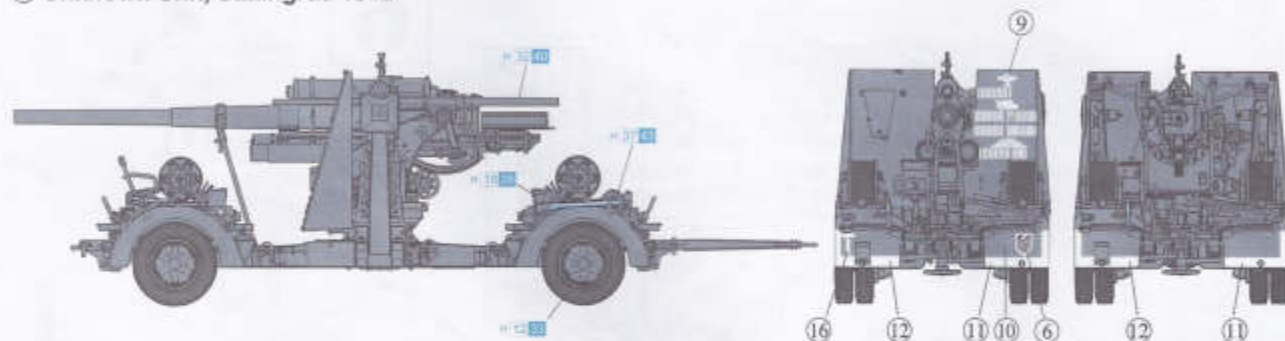
マーキング及び塗装図 標記と着色指示 標貼及着色指示

色名	色番号	色見本
黒	黒	黒
白	白	白
赤	赤	赤
青	青	青
黄	黄	黄
緑	緑	緑
紫	紫	紫
茶	茶	茶
灰	灰	灰
銀	銀	銀
金	金	金
透明	透明	透明

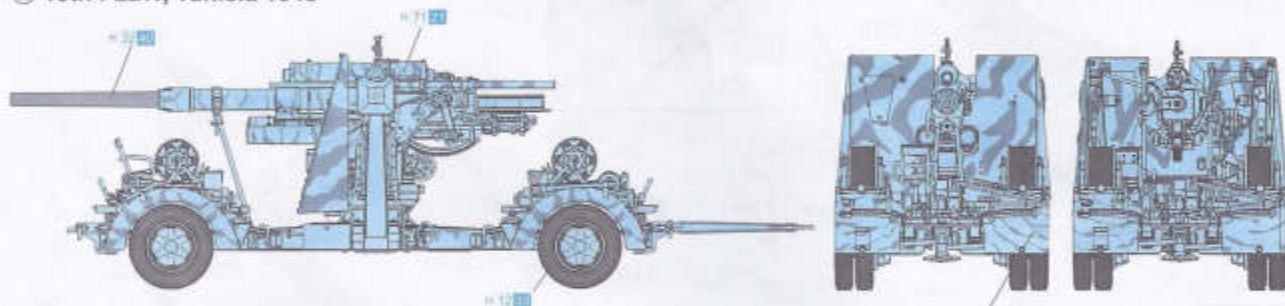
② Fallschirm-PzDiv "Hermann Göring", Sicily 1943



③ Unknown Unit, Stalingrad 1942



④ 10th PzDiv, Tunisia 1943



⑤ 18th Flak Regiment (Luftwaffe), Libya 1941



⑥ PzGrenDiv "Großdeutschland", Eastern Front 1943

