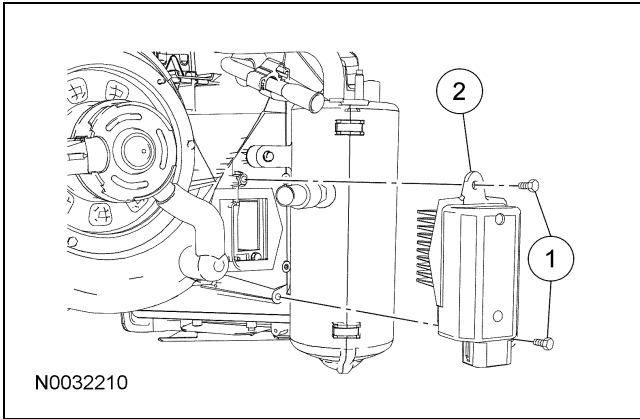


# REMOVAL AND INSTALLATION

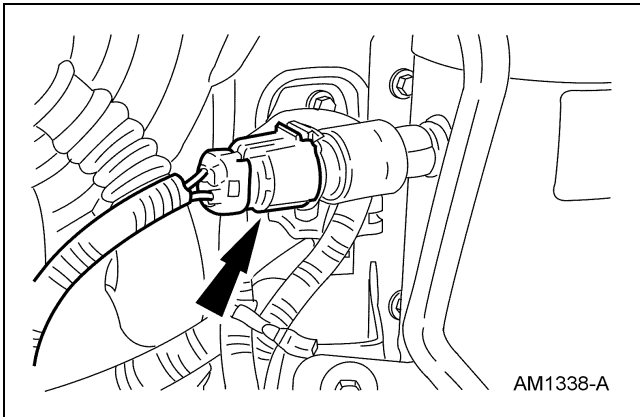
## Blower Motor Speed Control



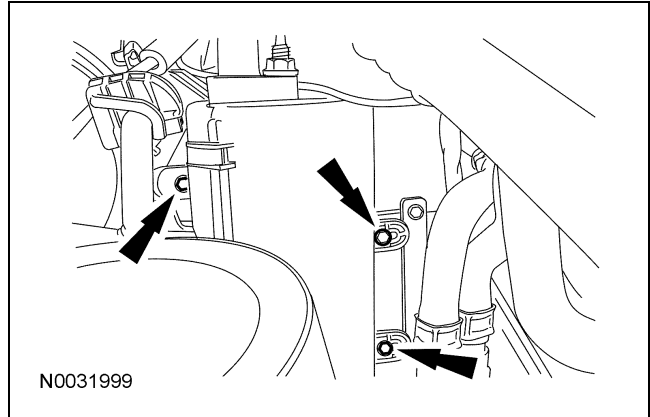
Item	Part Number	Description
1	W701696-S368	Screws (2 required)
2	19E624	Blower motor speed control

### Removal and Installation

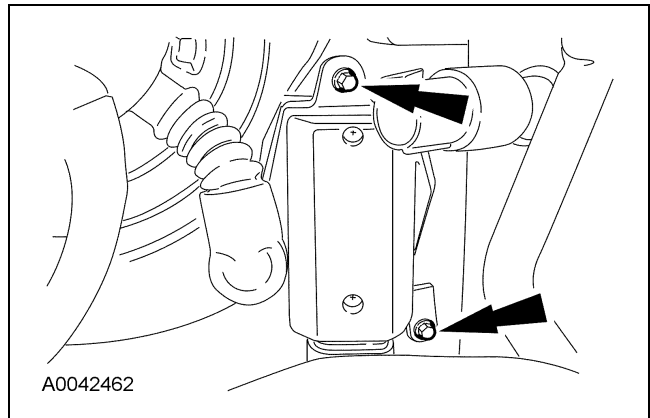
1. Disconnect the A/C cycling switch electrical connector.



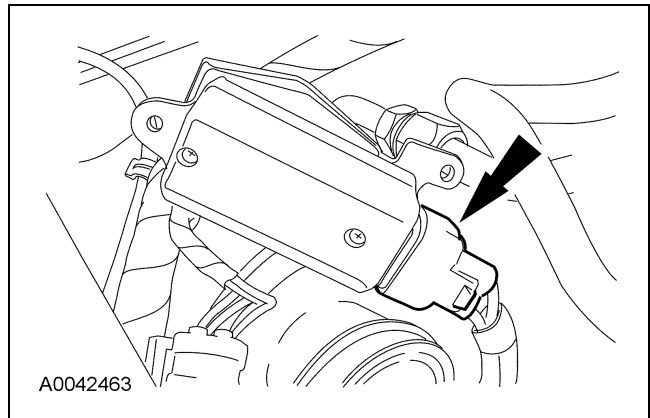
2. Remove the screws and position the suction accumulator aside.
  - To install, tighten to 10 Nm (89 lb-in).



3. Remove the screws.



4. Disconnect the electrical connector and remove the blower motor speed control.



5. To install, reverse the removal procedure.