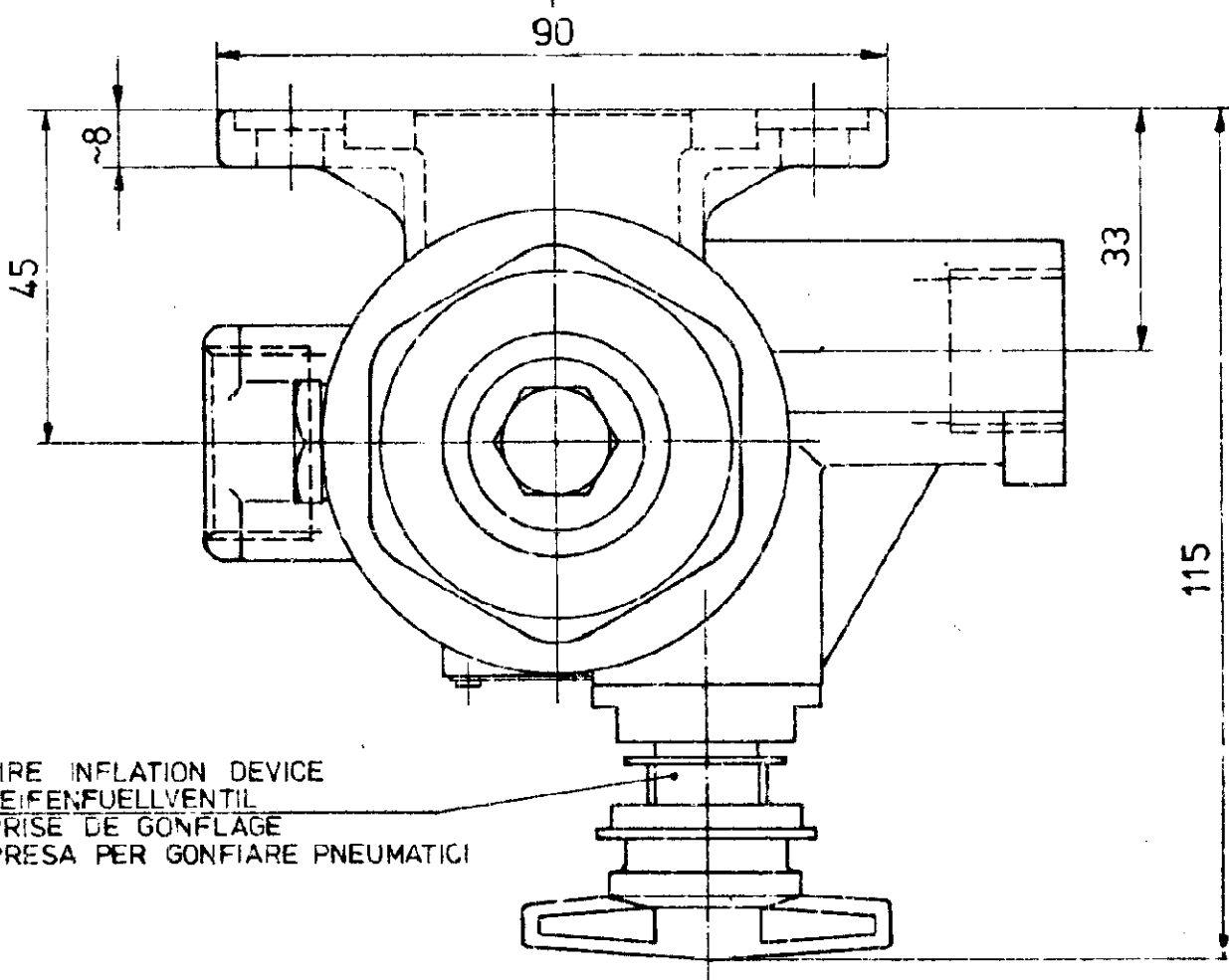


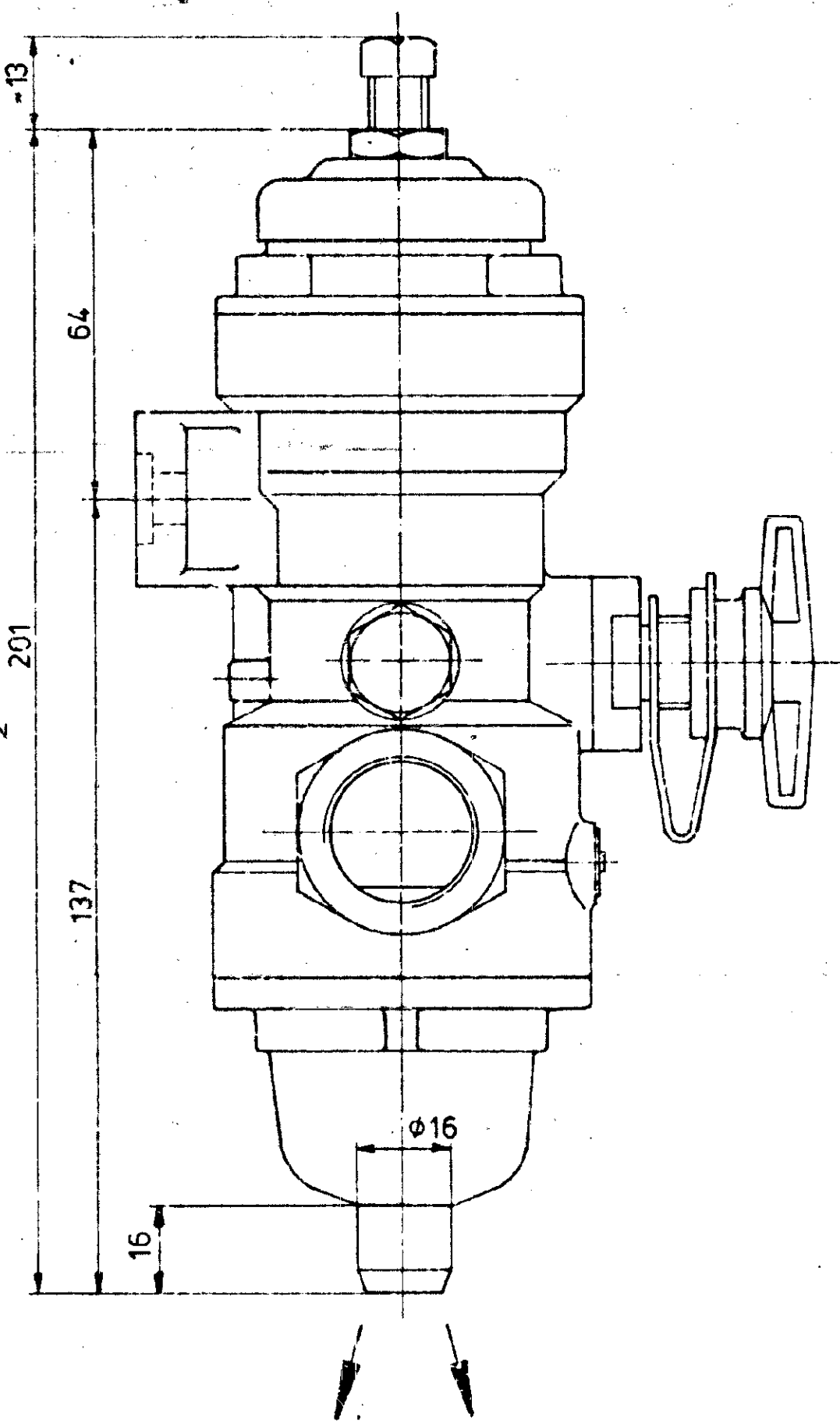
AUXILIARY SERVICE PORT  
ANSCHLUSS FUER NEBENVERBRAUCHER  
ORIFICE AU SERVICE AUXILIAIRE  
ORIFIZIO AL SERVIZIO AUSILIARE

FROM AIR COMPRESSOR  
VOM LUFTPRESSER  
DU COMPRESSEUR  
DAL COMPRESSORE

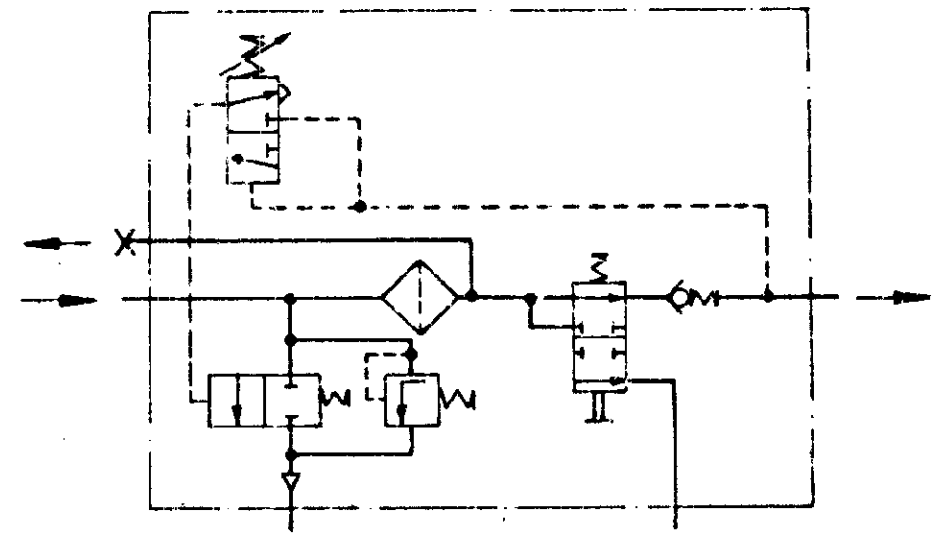
TO THE AIR RESERVOIRS  
ZU DEN LUFTBEHAELTERN  
AUX RESERVOIRS D'AIR  
AI SERBATOI D'ARIA



TIRE INFLATION DEVICE  
REIFENFUELLVENTIL  
PRISE DE GONFLAGE  
PRESA PER GONFIARE PNEUMATICI



EXHAUST FOR COMPRESSOR IDLING  
ENTLUEFTUNG BEI LEERLAUF  
ECHAPPEMENT POUR MARCHE A VIDE DU COMPRESSEUR  
SCARICO PER MARCIA A FOLLE DEL COMPRESSEUR



THERMAL RANGE OF APPLICATION:  
THERMISCHER ANWENDUNGSBEREICH: -40°C ... +180°C  
APPLICATION THERMIQUE:  
CAMPO DI APPLICAZIONE:

MEDIUM: AIR  
MEDIUM: LUFT  
FLUIDE: AIR  
FLUIDO: ARIA

CUT-OUT PRESSURE:  
ABSCHALTDRUCK: 7,3 ± 0,1 bar ✓  
PRESSION D'OUVERTURE:  
PRESSIONE D'APERTURA:

PRESSURE SETTING RANGE:  
SCHALTSPANNE: 0,7 <sup>+0,5</sup> bar ✓  
PLAGE DE REGULATION:  
GAMMA DI REGOLAZIONE:

OPENING PRESSURE SAFETY VALVE:  
OEFFNUNGSDRUCK SICHERHEITS-  
VENTIL: 11 <sup>+2,5</sup> bar ✓  
PRESSION D'OUVERTURE DE LA  
SOUPAPE DE SURETE:  
PRESSIONE D'APERTURA DELLA  
VALVOLA DI SICUREZZA:

COPYRIGHT BY WARCO WESTINGHOUSE GMBH HANNOVER

DRAWN: 76-01-20		DATE: 76-01-20		WARCO WESTINGHOUSE	
CHECKED: [Signature]		DATE: 76-01-27		COMBINED UNLOADER	
APPROVED: [Signature]		DATE: [Blank]		REGULATEUR DE PRESSION	
STANDARDIZATION: 76-01-27		DATE: [Blank]		GRUPPO DI REGOLAZIONE	
SCALE: 1:1		SCALE: 1:1		DRUCKREGLER	
PART NUMBER: 475 304 201 0		PART NUMBER: 475 304 201 0		IDENTIFICATION CODE	
ORIG. 475 304 201 0		ORIG. 475 304 201 0		ORIG. 475 304 201 0	
OF 77-10-23		OF 77-10-23		OF 77-10-23	
A 2		A 2		A 2	
140		140		140	
100 mm		100 mm		100 mm	