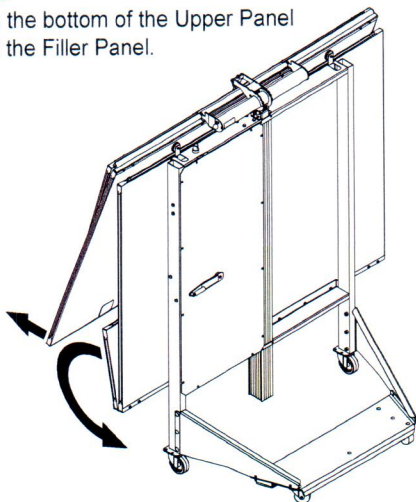
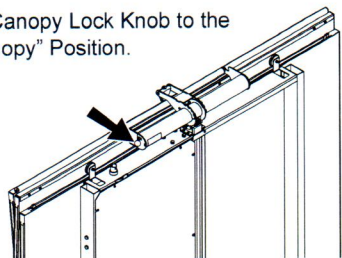


**Easy Set-Up Instructions**

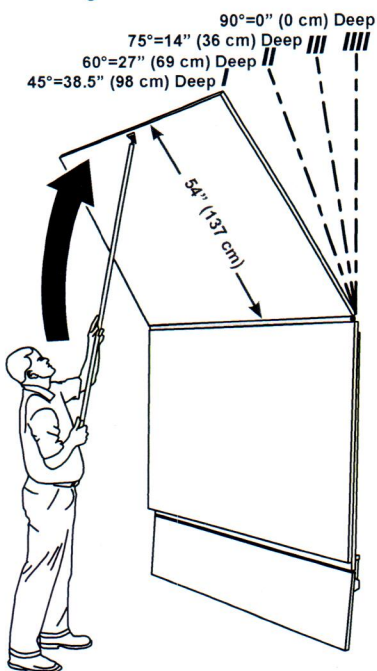
1. Roll the tower as close to the final Performance Position as possible.
2. Pull out on the bottom of the Upper Panel and unfold the Filler Panel.



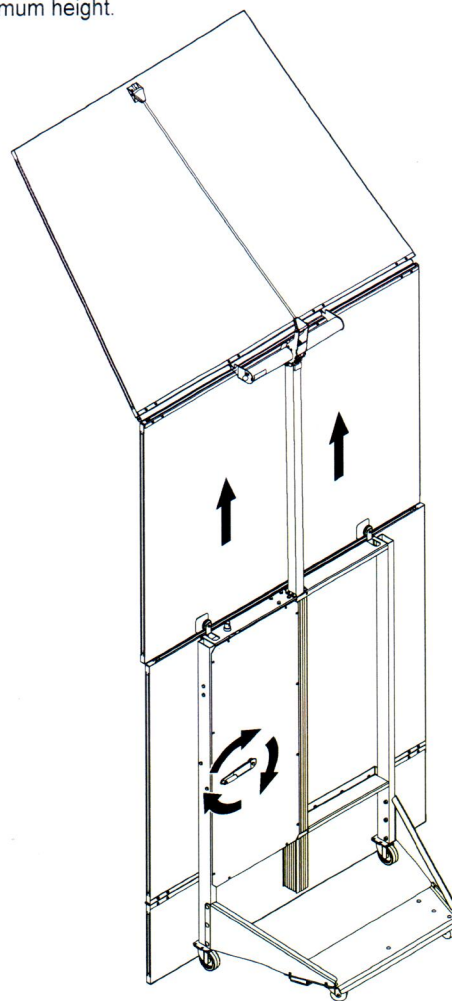
3. Move the Canopy Lock Knob to the "Raise Canopy" Position.



4. Lift the Canopy Panel and use the Canopy Tool to raise it to one of the four set position angles.



5. Turn the Crank clockwise to raise the panels. The Crank will stop when the panels reach the tower's maximum height.



6. Push the Upper Panel against the magnets. Turn the Crank in the opposite direction to lower the Upper Panel until it rests on the Lower Panel in the Performance Position.

**Legacy Classic Acoustical Shell Data:**

Height Canopy at 45 degrees . . .	13'11" (424 cm)
Max Height . . . . .	15'2" (462 cm)
Storage Height . . . . .	6'6" (198 cm)
Width . . . . .	6'0" (183 cm)
Storage Depth . . . . .	34-5/8" (88 cm)
Nesting Depth . . . . .	10-5/8" (27 cm)
Canopy Depth . . . . .	38" (97 cm)
Panel Weight (approx.) . . . . .	1.3 lbs. (0.59 kg) per square foot

**WENGER CORPORATION**  
555 Park Drive, PO Box 448  
Owatonna, MN 55060-0448  
Phone (800) 4WENGER (493-6437)  
Fax (507) 455-4258  
Customer Service (800) 887-7145

**WENGER CORPORATION**  
**CANADIAN REPRESENTATIVE OFFICE**  
Phone (800) 268-0148

**WORLDWIDE**  
Phone +1 (507) 455-4100  
Fax +1 (507) 774-8576

**WEB SITE**  
wengercorp.com

**Wenger®**  
Your Performance Partner

US/C/12-2015/W