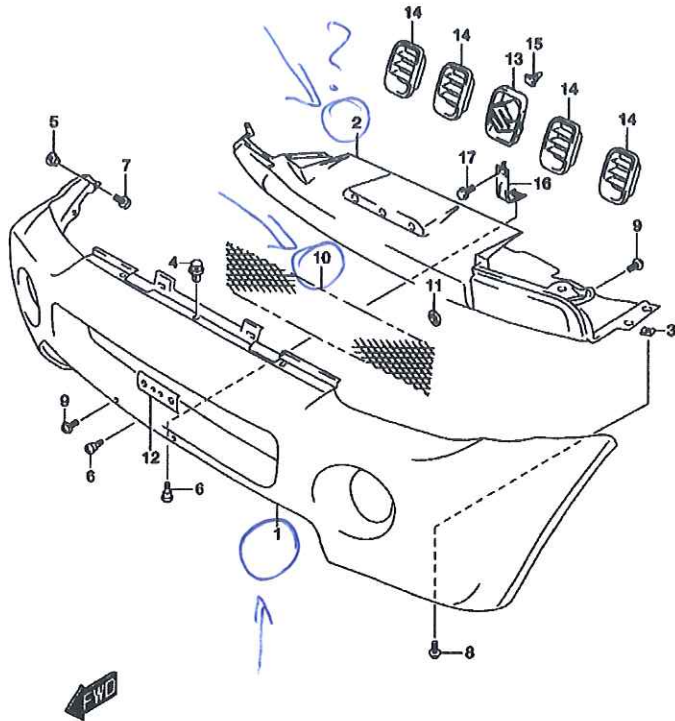


FIG.717A



607,94  
498,04