

DO NOT SCALE

2

3

THIRD ANGLE PROJECTION

5

6

IF IN DOUBT ASK

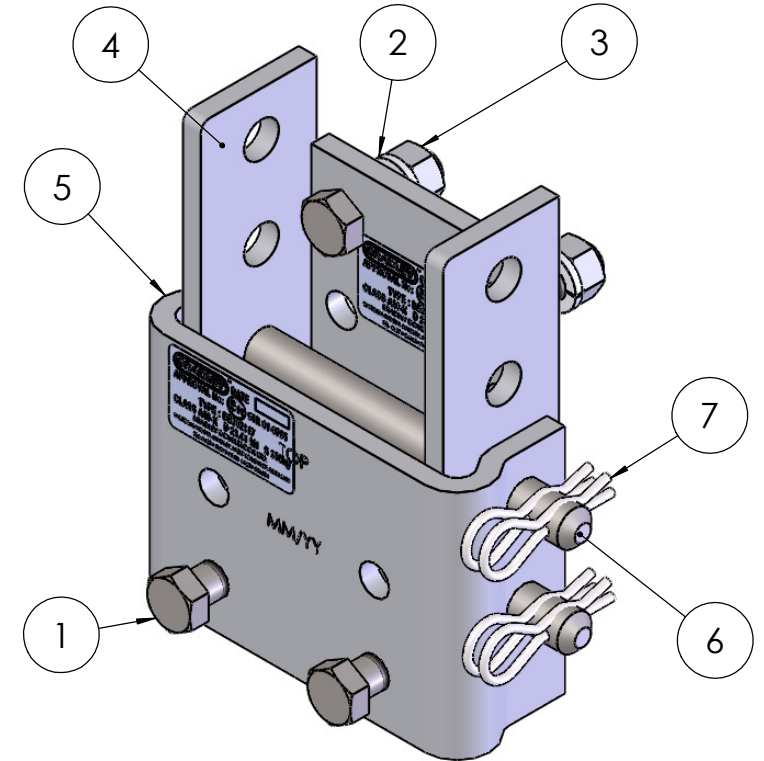
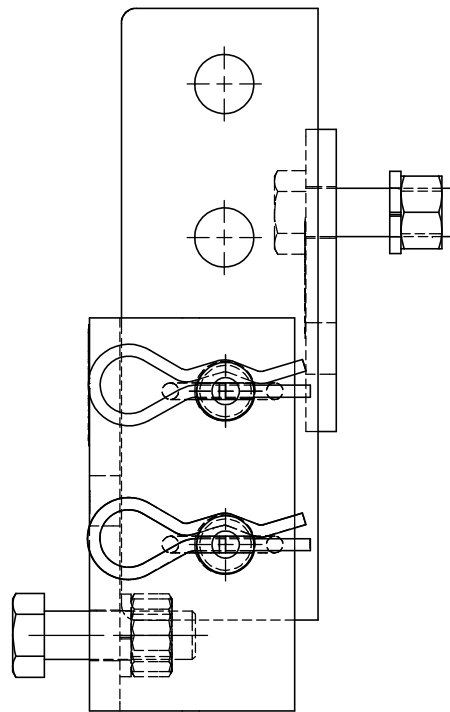
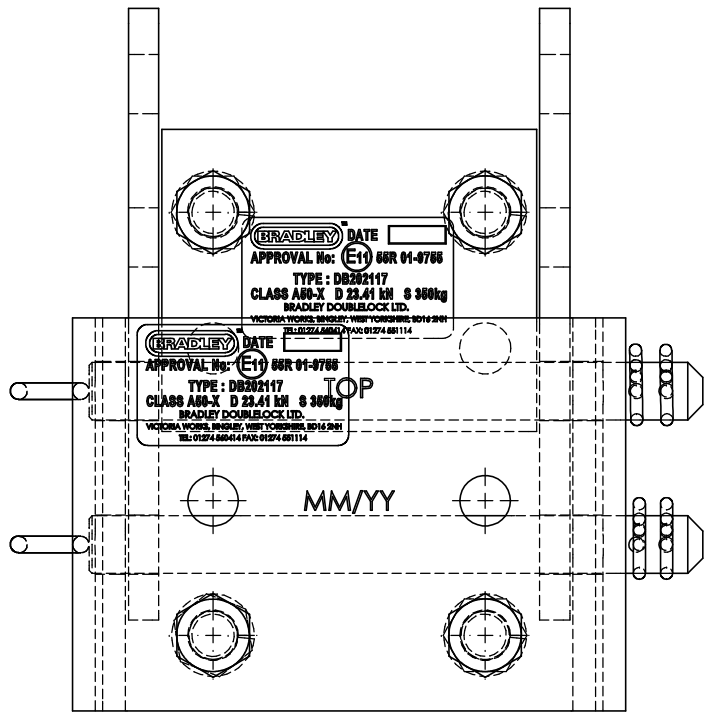
A

B

C

D

E



8	17381	LABEL REG 55 - DB2020117 - 260MM ADJ	2
7	DB102960	SPRING R CLIP	4
6	DB66702	PIN ASSEMBLY	2
5	DB68248	SLIDER PLATE TWIN HOLE	1
4	DB68247	FRAME W/ASSY	1
3	DB24580	NUT-FULL-M16-HT-PL	4
2	DB39276	WASHER-SPRING-16 DIA-1 COIL-PL	4
1	DB20625	BOLT-M16X2.00X50LG-HT-PL	4
ITEM	PART No.	DESCRIPTION	QTY

04	CN4360	15/01/13
03	CN4339	29/10/12
02	DBC0017	25/11/09
01	N/A	05/12/05
ISS	C.N. No.	DATE



THE INFORMATION CONTAINED IN THIS DRAWING IS THE SOLE PROPERTY OF BRADLEY DOUBLOCK LTD. ANY REPRODUCTION IN PART OR WHOLE WITHOUT THE WRITTEN PERMISSION OF BRADLEY DOUBLOCK LTD. IS PROHIBITED.

NOMINAL DIMENSION	DEFAULT TOLERANCES (mm)						
	0-3	>3 -6	>6 -30	>30 -120	>120 -315	>315 -1000	>1000
MACHINED	±0.1	±0.1	±0.2	±0.3	±0.5	±0.8	±1.2
CAST OR FABRICATED	-	±0.2	±0.5	±0.8	±1.2	±2	±2
ANGULAR	±0.5°	±0.5°	±0.5°	±0.5°	±0.5°	±0.5°	±0.5°

TITLE	<b>TWO PIN ADJUSTABLE COUPLING</b>
MATERIAL	

DRAWN BY	DATE	PART NO	SHEET
<b>Tim Hare</b>	<b>19/11/2009</b>	<b>DB202117</b>	<b>1 OF 2</b>
SCALE	WEIGHT	DRAWING NO	ISSUE
<b>1:2.5 @ A4</b>	<b>7.10 Kg</b>	<b>DB202117</b>	<b>4</b>

S:\SOLIDWORK\DB202117\3.DWG

DO NOT SCALE

2

3

THIRD ANGLE PROJECTION

5

6

IF IN DOUBT ASK

A

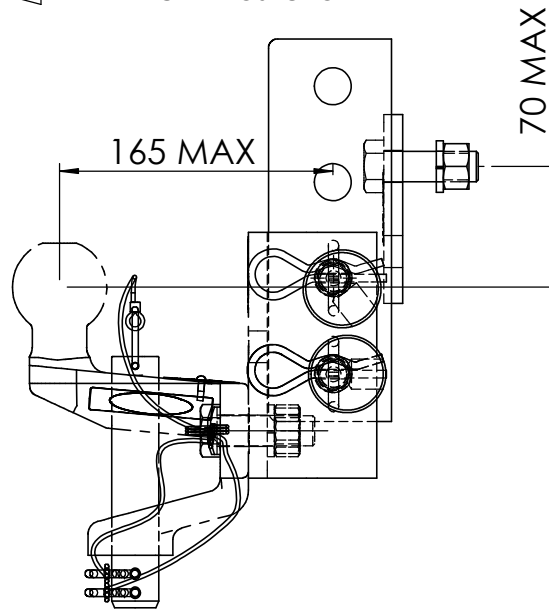
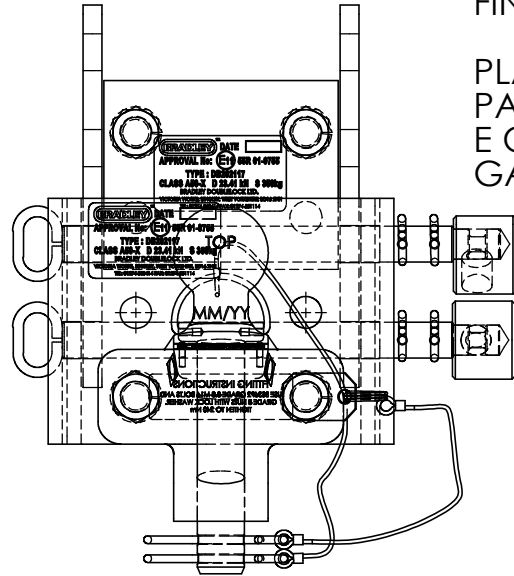
B

C

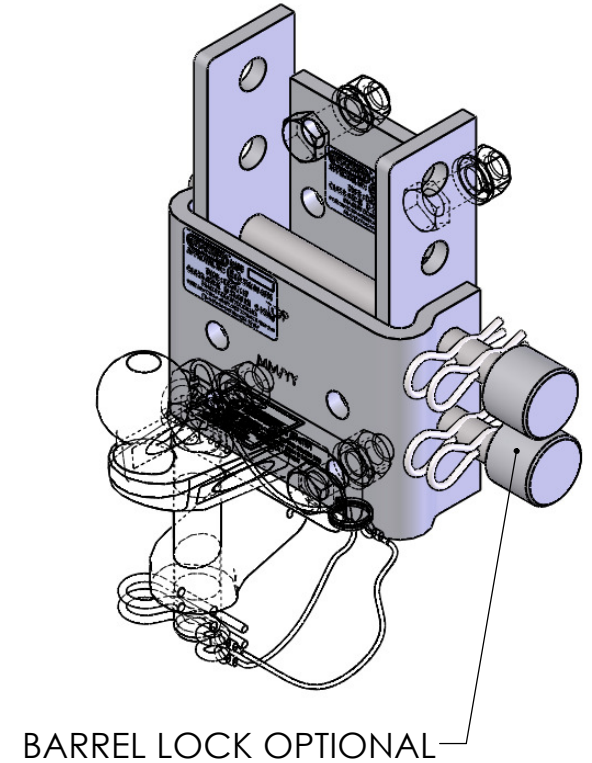
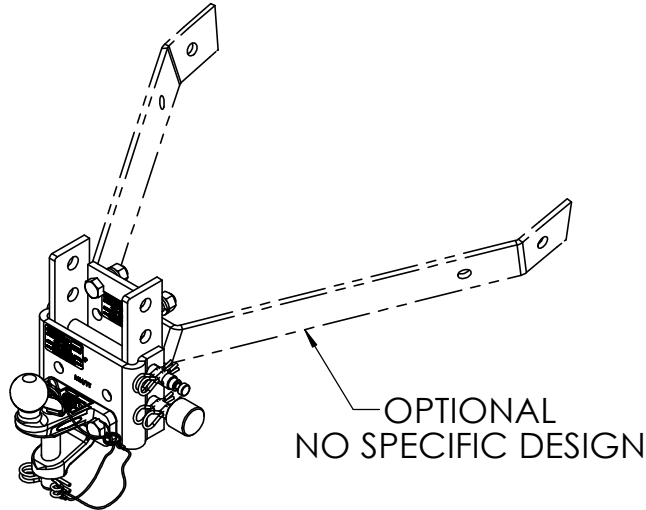
D

E

FINISH MAY BE  
PLATED  
PAINTED  
E COAT  
GALVANISED



LABEL INFORMATION MAY BE  
STAMPED  
ENGRAVED  
ADHESIVE OR RIVETED LABEL



04	CN4360	15/01/13
03	CN4339	29/10/12
02	DBC0017	25/11/09
01	N/A	05/12/05
ISS	C.N. No.	DATE



THE INFORMATION CONTAINED IN THIS DRAWING IS THE SOLE PROPERTY OF BRADLEY DOUBLOCK LTD. ANY REPRODUCTION IN PART OR WHOLE WITHOUT THE WRITTEN PERMISSION OF BRADLEY DOUBLOCK LTD. IS PROHIBITED.

DEFAULT TOLERANCES (mm)

NOMINAL DIMENSION	0-3	>3 -6	>6 -30	>30 -120	>120 -315	>315 -1000	>1000
MACHINED	±0.1	±0.1	±0.2	±0.3	±0.5	±0.8	±1.2
CAST OR FABRICATED	-	±0.2	±0.5	±0.8	±1.2	±2	±2
ANGULAR	±0.5°	±0.5°	±0.5°	±0.5°	±0.5°	±0.5°	±0.5°

TITLE  
**TWO PIN ADJUSTABLE COUPLING**

MATERIAL

DRAWN BY	DATE	PART NO	SHEET
LJ	05/11/2012	DB202117	2
SCALE	WEIGHT	DRAWING NO	OF 2
1:4 @ A4	7.10 Kg	DB202117	4
ISSUE			

S:\SOLIDWORK\DB202117.SLDPRW