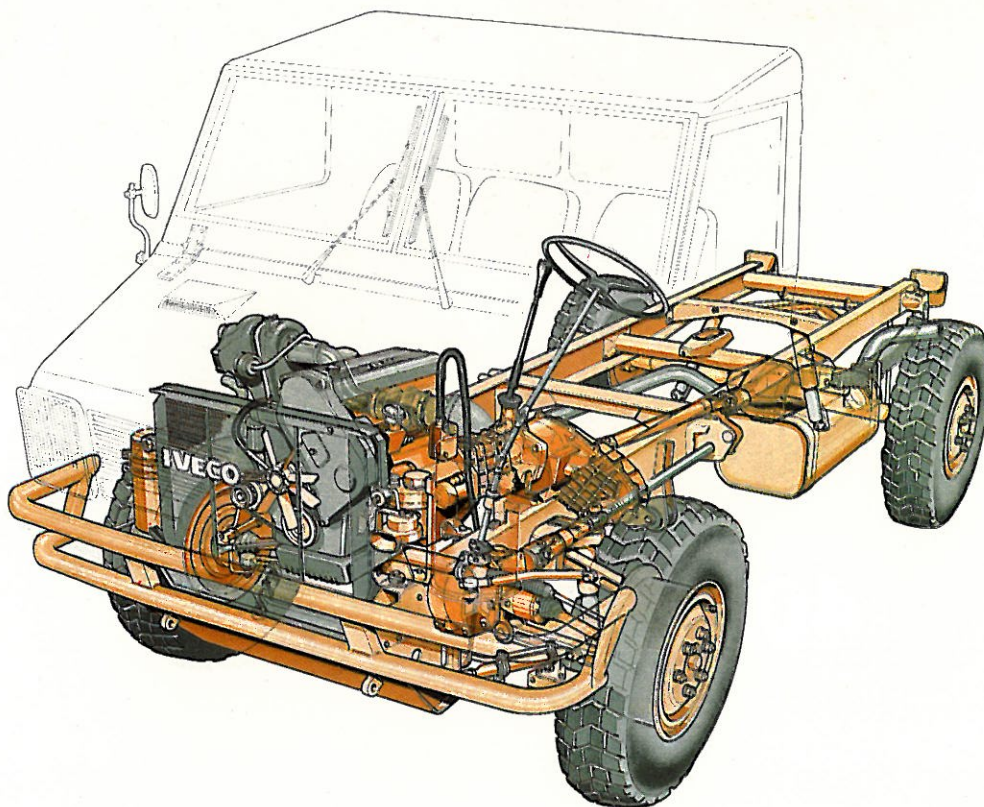


**APPLICATION:** IVECO 40.10WM is a (4x4) light truck with semiforward cab. The vehicle can carry, on road and cross-country, a twelve-men squad, or material or shelters up to 1.5 ton. Many versions can be derived from the basic chassis, e.g.: light truck, torpedo, ambulance, weapon carrier, fire fighting, internal security.



## Technical data

### Weights:

- Payload 1.5 t
- Gross vehicle weight 4.3 t
- Curb weight with cargo body 2.8 t
- Towing capacity (off road) 1.5 t

### Performances:

- Max. speed >100 km/h
- Max. gradient > 60 %

### Engine:

- 4-cylinders, watercooled turbocharged 2.5 liters displacement
- Max. power 76 kW (103 HP) at 3800 r.p.m.
- Max. torque 226 Nm (23 kgm) at 2200 r.p.m.

### Power transmission:

- Single plate dry clutch
- 5-speed synchromesh gearbox
- Two-speed transfer case
- Single reduction front and rear axles
- Independent front suspensions

### Brakes:

- Front disk type
- Rear drum type

### Tyres:

- 9.00 R 16, single front and rear

### Electrical system:

- 24 Volts, negative earth
- Black - out lights

### Specific equipment:

- Semi forward cab - driver plus 2 passengers
- Canvas cab - optional: hard top
- Tiltable windscreen
- Hydraulically operated brakes
- Power steering
- L.H or R.H. drive version available

