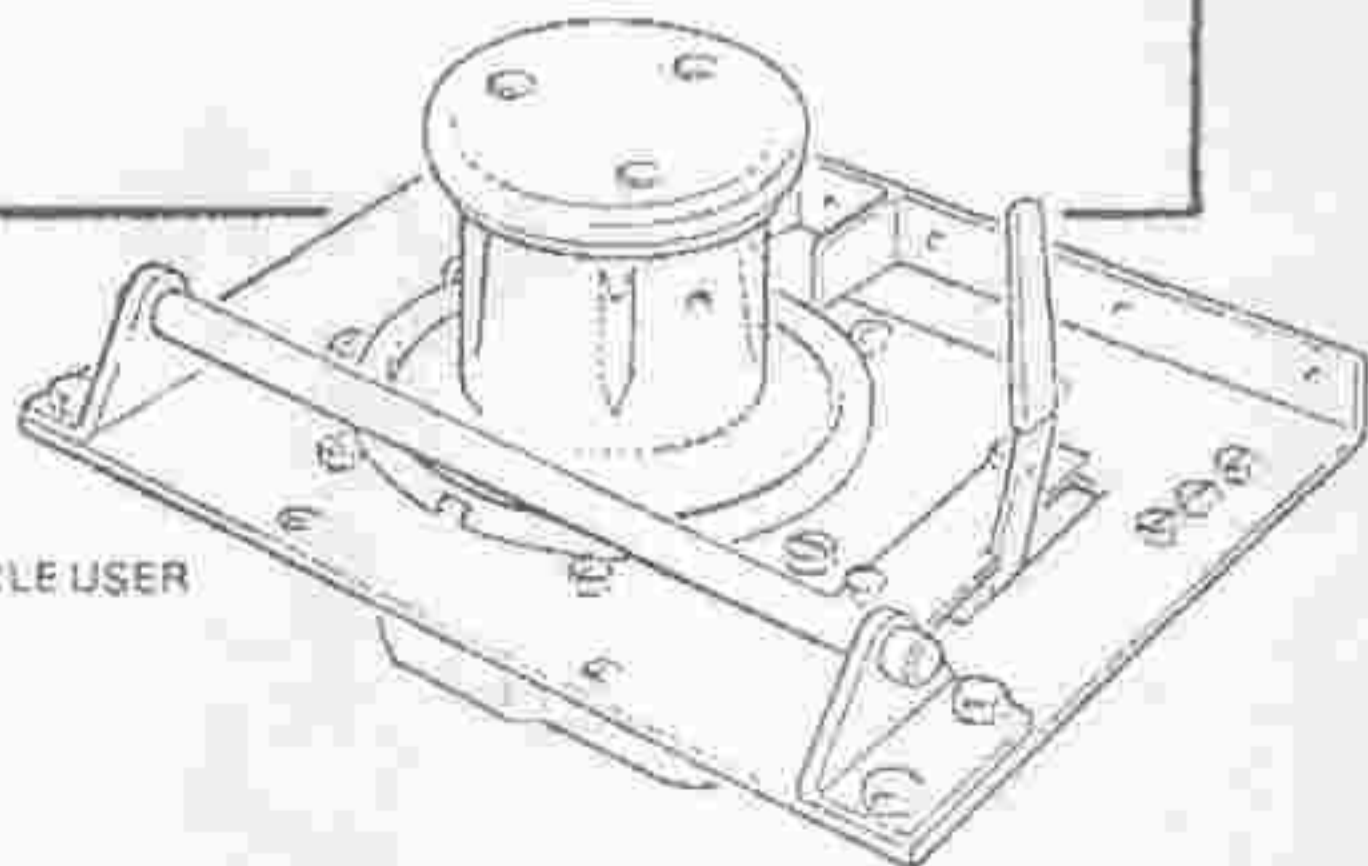


LAND ROVER

SERIES II, II A & III

CAPSTAN WINCH

KIT No.5300



FITTING INSTRUCTIONS

PLEASE PASS ON THESE INSTRUCTIONS TO VEHICLE USER

CONTENTS	PAGE
Illustrated Parts List	1
Fitting Instructions	5
Operating Instructions	8
Maintenance	10

FW ENGINEERING LIMITED

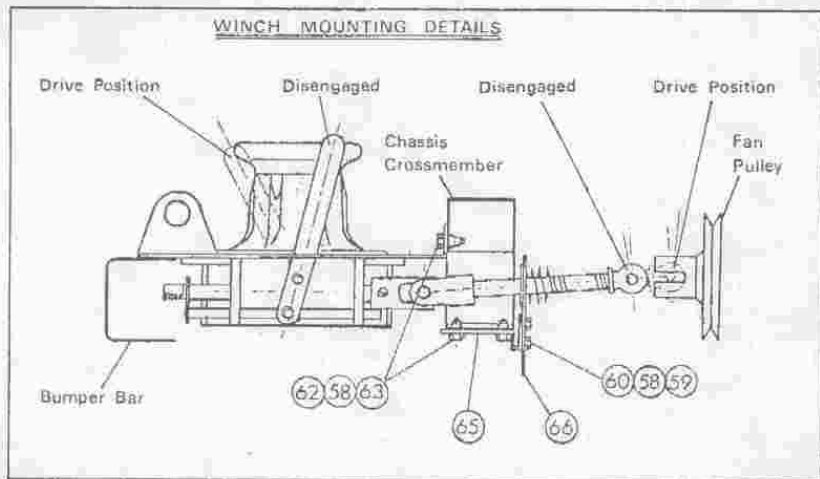
6945

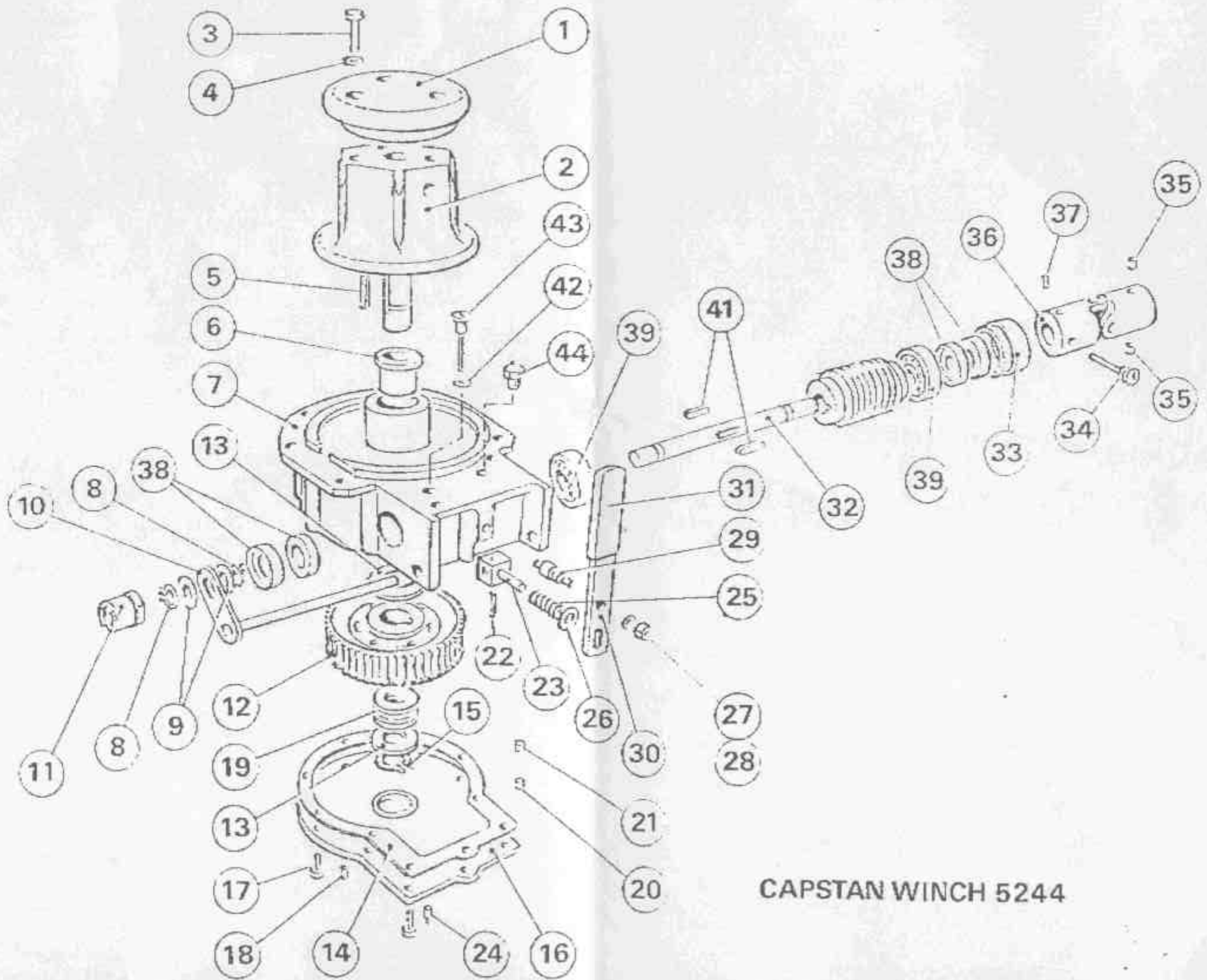
ABBAYRISE, WHITCHURCH ROAD, TAVISTOCK, DEVON. PL19 9DR Tel. Tavistock (0822) 4101/7 Telex: 45324

LAND ROVER FITTING INSTRUCTIONS

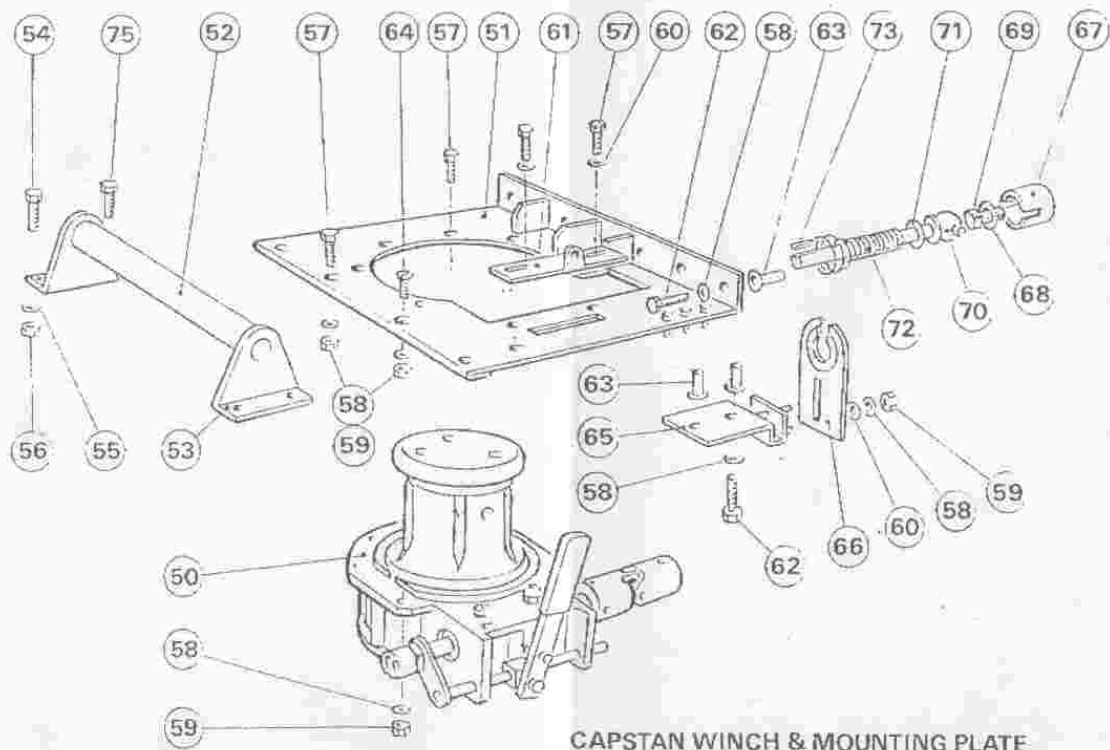
IMPORTANT - Land Rover have introduced a 5 bearing (Eng. Nos: Petrol 36100001A on, Diesel 36600001A on) crankshaft to replace the earlier 3 bearing crankshaft. The 2 crankshafts require different driving dogs (67), washers (68) and crankshaft setscrews (69). We endeavour to supply the correct parts to your specification but advise if any doubt exists that you remove your existing starter dog and compare the thread with the crankshaft setscrew supplied (M20 x 1.5mm pitch for 5 bearing, $\frac{1}{2}$ "-16 PTI for 3 bearing). We will supply correct parts upon return of incorrect parts in new unused condition.

1. Remove existing starter dog from vehicle (DO NOT disturb the fan pulley) and replace with driving dog (item 67, see exploded view), crankshaft setscrew and washer (69, 68). On the driving dog is a small spigot, make sure this locates in fan pulley keyway and tighten setscrew to approximately 200 lbf (27.6m kg).
2. Make sure the parts on the drive shaft are assembled in order (70, 71, 72) and that the key (73) is firmly in position. Insert the shaft and key carefully into the universal joint (36) and tighten grub screw (35). The shaft is adjustable $\pm 1/8$ " (3mm).
3. Slacken the four bolts which hold bumper bar in position and remove, if fitted, the metal cowl, remove three of these bolts and swing bumper bar outwards. Offer up the winch, now fitted with drive shaft and insert the shaft through the chassis crossmember, push bumper bar back into position and rest the winch on top.





CAPSTAN WINCH 5244



CAPSTAN WINCH & MOUNTING PLATE