

# EXPLODED VIEW

## GRINDER DOSER SUPER JOLLY

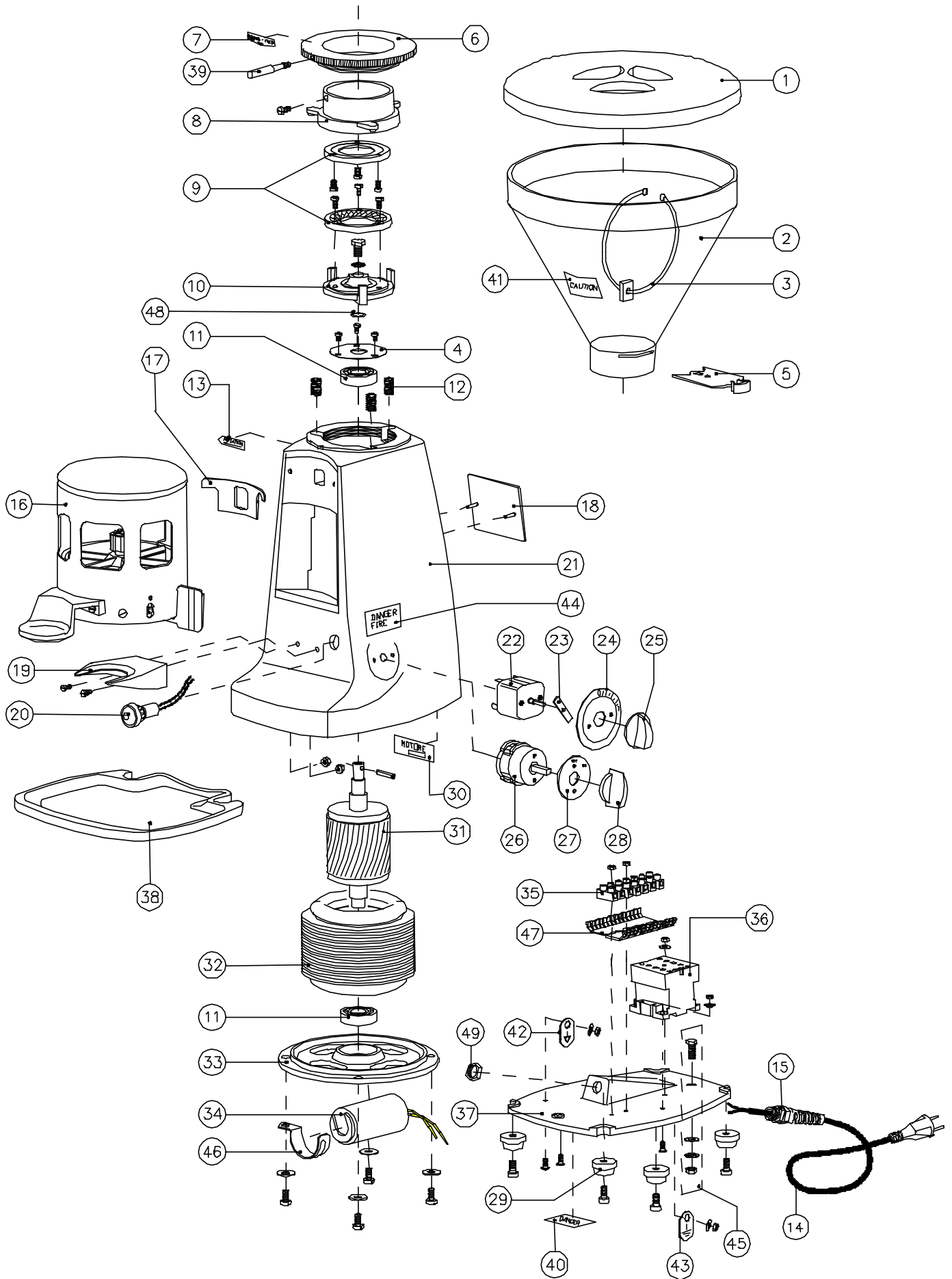
ESSJDOS01 06/2003



MAZZER LUIGI s.r.l.  
VIA MOGLIANESE, 113  
30037 GARDIGIANO DI SCORZE' (VE)  
ITALIA  
TEL. +39 041 5830200 r.a. - FAX +39 041 5830060  
E-mail: mazzler@mazzler.com - <http://www.mazzler.com>

| No. | DESCRIPTION                                      | CODE        | Q. | NOTES   |
|-----|--|-------------|----|---|
| 1   | Hopper cover                                     | S000COD01   | 1  |   |
| 2   | Hopper   | S000CAE02   | 1  |   |
| 3   | Magnet with ring                                 | S00SCAC01   | -  | Optional  |
| 4   | Hopper   | SSJ0COA01 A | 1  |   |
| 5   | Hopper locking slide                             | SMI0SEB01   | 1  |   |
| 6   | Coffee grinding adjustment disk                  | SSJ0GHA02   | 1  |   |
| 7   | Label: Coarse-fine / Adjustment initial position | S000ETA03   | 1  |   |
| 8   | Upper grinding blade holder                      | SSJ0POA03   | 1  |   |
| 9a  | Grinding blade set (ref. 33DM)                   | FMA00033M   | 1  | Single phase versions   |
| 9b  | Grinding blade set (ref. 33DT)                   | FMA00033T   | 1  | Three phase versions  |
| 10  | Lower grinding blade holder                      | SSJ0POA04   | 1  |   |
| 11  | Bearing 6202 ZZ                                  | S000CUA01   | 2  |   |
| 12  | Grinding adjustment spring                       | SSJ0MOB01 A | 3  |   |
| 13  | Label: Motor rotation                            | S000ETA00   | 1  |   |
| 14a | Electric cable - "Italy" single phase            | S000CAD01   | 1  |   |
| 14b | Electric cable - three phase 220-230V            | S000CAD09   | 1  |   |
| 14c | Electric cable - three phase 380-400V            | S000CAD03 A | 1  |   |
| 14d | Electric cable - "Europe"                        | S000CAD04   | 1  |   |
| 14e | Electric cable - "USA"                           | S000CAD05   | 1  |   |
| 14f | Electric cable - "Australia"                     | S000CAD07   | 1  |   |
| 14g | Electric cable - "Great Britain"                 | S000CAD08   | 1  |   |
| 14h | Electric cable - "Israel"                        | S000CAD10   | 1  |   |
| 14i | Electric cable - "Switzerland"                   | S000CAD06   | 1  |   |
| 15  | Cable locking                                    | S000PAB04   | 1  |   |
| 16a | Manual doser                                     | SSJSGRA01 A | 1  | Manual-timer versions   |
| 16b | Automatic doser                                  | SSJSGRA03 A | 1  | Automatic versions  |
| 16c | Manual doser with counter                        | SSJSGRA05 A | 1  | Manual-timer versions with counter                                  |
| 17  | Gasket   | S000GUA01   | 1  |   |
| 18  | "Mazzer 4M" plate                                | S000TAA02   | 1  |   |
| 19  | Fork for filterholder rest                       | S000FOB02 A | 1  |   |
| 20a | Pilot light 230V - green                         | S000LAA06   | 1  | 220-240V/50Hz single phase vers.<br>230-400V/50Hz three phase vers. |
| 20b | Pilot light 110V - red                           | S000LAA01   | 1  | 110V/60Hz version   |
| 20c | Pilot light 110V - UL - red                      | S000LAA02   | 1  | 110V/60Hz ETL version   |
| 21  | Body   | SSJ0CAA02 A | 1  |   |
| 22a | Two pole time switch                             | S000TIA02   | 1  | Timer single phase versions   |
| 22b | Three pole time switch                           | S000TIA03   | 1  | Timer three phase versions  |
| 23  | Time switch stop                                 | S000FEA01   | 1  | Timer versions  |
| 24  | Time switch plate                                | S000TAA03   | 1  | Timer versions  |
| 25  | Time switch knob                                 | S000MAB01   | 1  | Timer versions  |
| 26a | Three pole rotative switch                       | S000INA04 A | 1  | Manual three phase versions   |
| 26b | Two pole rotative switch with auxiliary phase    | S000INA13   | 1  | Automatic single phase vers.  |
| 26c | Three pole rotative switch with auxiliary phase  | S000INA10 A | 1  | Automatic three phase vers.   |
| 26d | Two pole rotative switch - UL                    | S000INA09   | 1  | Manual single phase vers.   |
| 27a | Switch plate - O / I                             | -           | 1  | Manual versions   |
| 27b | Switch plate - O / I / START                     | -           | 1  | Automatic versions  |
| 28  | Rotative switch knob                             | -           | 1  |   |
| 29  | Support legs                                     | S00SPIA01 A | 4  |   |
| 30a | Label: Motor 220-240V/50Hz                       | SSJ0ETA01   | 1  |   |
| 30b | Label: Motor 230-400V/50Hz                       | SSJ0ETA03   | 1  |   |
| 31  | Rotor  | SSJ0ROA01   | 1  |   |
| 32a | Coiled stator-single phase 220-240V/50Hz         | SSJSPA01    | 1  | Single phase 220-240V/50Hz vers.                                    |
| 32b | Coiled stator-three phase 230-400V/50Hz          | SSJSPA03    | 1  | Three phase 230-400V/50Hz vers.                                     |
| 32d | Coiled stator-single phase 110V/60Hz             | SSJSPA04    | 1  | Single phase 110V/60Hz vers.  |
| 32e | Coiled stator-single phase 220V/60Hz             | SSJSPAS01   | 1  | Single phase 220V/60Hz vers.  |
| 32f | Coiled stator-three phase 220V/60Hz              | SSJSPAS03   | 1  | Three phase 220V/60Hz vers.   |
| 33  | Motor cap  | SSJ0CAB02   | 1  |   |
| 34a | Capacitor 8 uF                                   | S000COE01   | 1  | 240V/50Hz/1ph. Versions<br>220V/60Hz/1ph. Versions                  |
| 34b | Capacitor 10 uF                                  | S000COE02   | 1  | 220-230V/50Hz/1ph. vers.  |
| 34d | Capacitor 30 uF - UL                             | S000COE08   | 1  | 110V/60Hz/1ph. versions   |
| 35  | Terminal blocks                                  | P000MOA04   | -  |   |
| 36a | Contacto 230V/50Hz                               | S000COC02   | 1  | Aut. 220-230V/50Hz/1ph. vers.<br>220-230V/50Hz/3ph. vers.           |
| 36b | Contacto 240V/50Hz                               | S000COC06   | 1  | Automatic 240V/50Hz/1ph. vers.                                      |
| 36c | Contacto 380V/50Hz                               | S000COC08   | 1  | 380-400V/50Hz/3ph. vers.  |
| 36d | Contacto 110V/60Hz                               | S000COC01   | 1  | Automatic 110V/60Hz/1ph. vers.                                      |
| 36e | Contacto 220V/60Hz                               | S000COC04   | 1  | Automatic 220V/60Hz/1ph. vers.                                      |
| 37  | Bottom plate                                     | SSJ0PIC01 A | 1  |   |
| 38  | Drip tray  | SSJ0PIB02   | 1  |   |
| 39  | Grinding adjustment disk handle                  | SSJSPA04    | 1  |   |
| 40  | Label: "Danger"                                  | S000ETA14   | 1  | 110V/60Hz versions  |
| 41  | Label: "Caution-Hopper"                          | S000ETA15   | 1  | 110V/60Hz versions  |
| 42  | "Ground" plate                                   | S000TAA18   | 1  |   |
| 43  | "External unipotential clamp" plate              | S000TAA19   | 1  | CE versions   |
| 44  | Label: "Caution Fire"                            | S000ETA20   | 1  | 110V/60Hz versions  |
| 45  | External unipotential clamp                      | -           | 1  | CE versions   |
| 46  | Capacitor locking clamp D.40                     | S000GRB05   | 1  |   |
| 47  | Under terminal board                             | P000SOT02   | -  |   |

|    |                            |           |   |  |
|----|----------------------------|-----------|---|--|
| 48 | Ring O.R. 2056             | S000ANA02 | 1 |  |
| 49 | Nut for cable locking 3213 | S000DAA02 | 1 |  |



| No. | DESCRIPTION   | CODE        | Q. | NOTES                           |
|-----|---|-------------|----|---------------------------------|
| 1   | Doser cover   | S000COD02   | 1  |                                 |
| 2   | Cylinder for doser                                  | S000CIA01   | 1  |                                 |
| 3   | Dose adjustment knob                                | S000MAB02   | 1  |                                 |
| 4   | Upper dosing star                                   | SSJSSTA04   | 1  |                                 |
| 5   | Coffee outlet covering section plate                | S000SEA01   | 1  |                                 |
| 6   | Female dosing star                                  | S000STA03   | 1  |                                 |
| 7   | Dosing system pressing spring                       | S000MOB05   | 1  |                                 |
| 8   | Male dosing star                                    | S000STA02   | 1  |                                 |
| 9a  | Upper microswitch                                   | S00SMIA01   | 1  | Automatic version               |
| 9b  | Upper microswitch - UL                              | S00SMIA02   | 1  | Automatic 110V/60Hz vers.       |
| 10a | Doser pipe  | SSJ0TUA03 A | 1  | Manual-timer vers.              |
| 10b | Doser pipe  | SSJ0TUA01 A | 1  | Automatic version               |
|     |   |             |    | Manual-timer vers. with counter |
| 11a | Coffee pressing device D.53                         | S000PRA02 D | 1  |                                 |
| 11b | Coffee pressing device D.54,5                       | S000PRA02   | 1  |                                 |
| 11c | Coffee pressing device D.58                         | S000PRA02 E | 1  |                                 |
| 12  | Corrugated ring D.32                                | S000ANA01   | 1  |                                 |
| 13  | Ratchet   | S000CRA01   | 1  |                                 |
| 14  | Doser adjustment screw - M8x70                      | S000VIA01   | 1  |                                 |
| 15  | Lower microswitch spring                            | S000MOB06   | 1  | Automatic version               |
| 16  | Lower microswitch star                              | S000STA05   | 1  | Automatic version               |
| 17  | Lower microswitch                                   | S00SMIA04   | 1  | Automatic version               |
| 18  | Counter   | S00SCOB01   | 1  | Automatic version               |
|     |   |             |    | Manual-timer vers. with counter |
| 19  | Dosing lever return spring                          | S000MOB03 A | 1  |                                 |
| 20  | Nose  | S000NAA01 A | 1  |                                 |
| 21  | Doser bottom  | S000FOA01   | 1  |                                 |
| 22  | Nose spring   | S000MOB04   | 1  |                                 |
| 23  | Dosing lever  | S00SLEA02   | 1  |                                 |
| 24  | Doser bottom set                                    | S00SFOA01   | 1  |                                 |
| 25  | Coffee outlet guard                                 | S000PRB01   | 1  | Manual-timer vers.              |
| 26  | Bush coffee outlet guard                            | S000BOC03   | 2  |                                 |
| 27  | Doser washer D.50 thick. 0,4                        | S000ROA02   | 1  |                                 |
| 28  | Lower microswitch star space                        | S000DIA01   | 1  |                                 |
| 29  | Label "Danger"                                      | S000ETA14   | 1  | Vers autom. 110V/60Hz           |
| 30  | Oversized female dosing star                        | S000STA06   | 1  |                                 |
| 31  | Oversized female dosing star + dose adjustment knob | S000MAB03   | 1  |                                 |
| 32  | Oversized star with dosing knob                     | S00SGRA08   | 1  |                                 |

