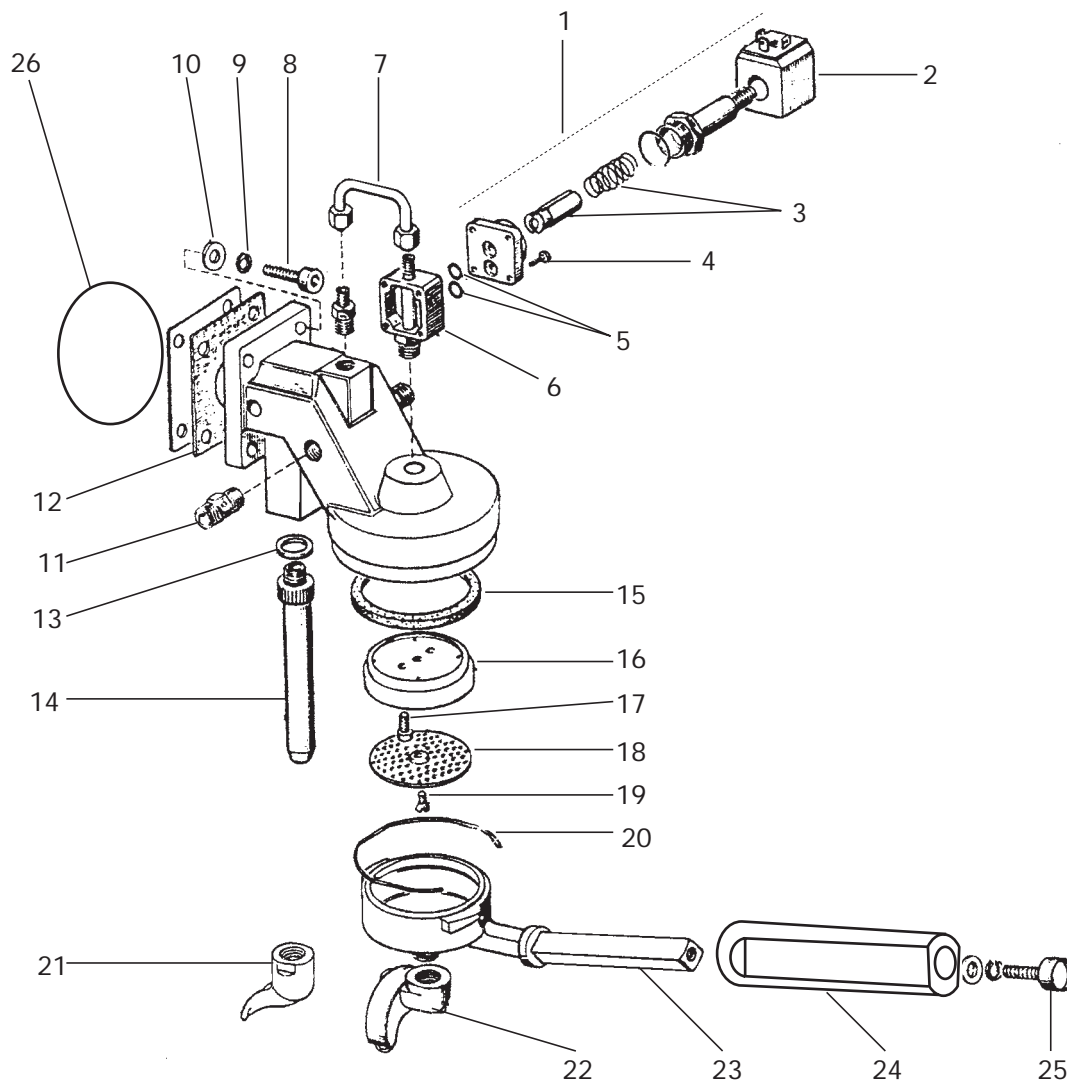


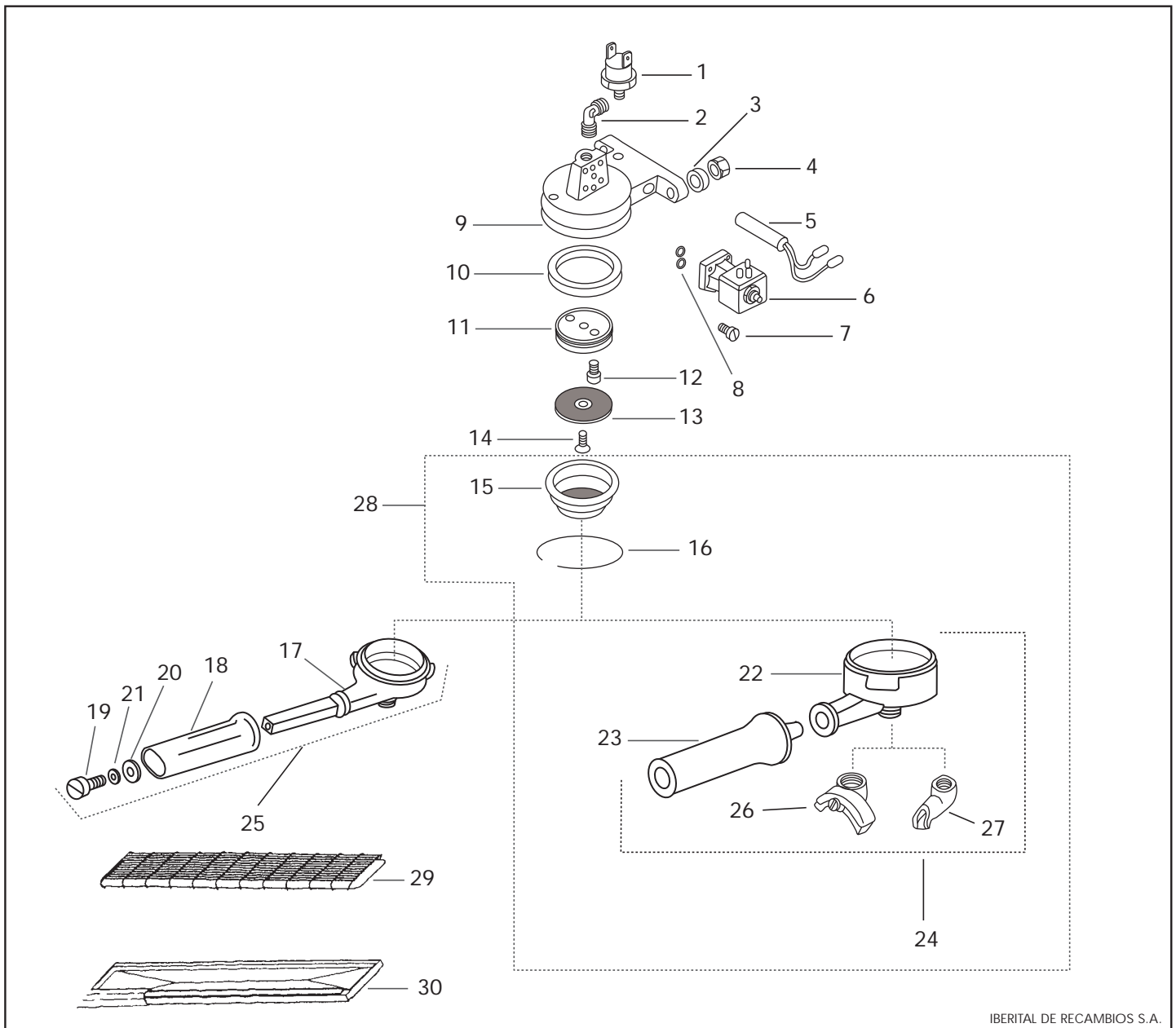
IBERITAL DE RECAMBIOS S.A.

FIG.	COD.	DESCRIPCION	DESCRIPTION	FIG.	COD.	DESCRIPCION	DESCRIPTION
1	5787	CONJUNTO PALANCA MONTADA	LEVER	23	4155	JUNTA AMIANTO 56 x 72 x 3	56 x 72 x 3 GASKET
2	5946	TUERCA PIÑON	PINION NUT	27	937	JUNTA GRUPO KLINGERIT	KLINGERIT GROUP GASKET
3	918	BOLA INOX	INOX BALL	28	938	ESPARRAGO GRUPO M-8	GROUP HEADLESS SCREW
4	920	GATILLO	LEVER	29	934	TUERCA CIEGA	BLIND NUT
5	916	EJE GATILLO	LEVER ROD	30	360	SUPLEMENTO PORTA	GASKETHOLDER SUPPLEMENT
6	2156	TAPA COJINETE	BALL BEARING LID	31	145	JUNTA PORTA SUPLEMENTADA	SUPPLEMENT HOLDER GASKET
7	2681	COJINETE	BALL BEARING	32	1105	CACILLO 1 CAFE	FILTER 1 CUP
8	919	PIÑON PALANCA	LEVER PINION	33	1106	CACILLO 2 CAFES	FILTER 2 CUPS
9	917	MUELLE	SPRING	34	463	MUELLE PORTAFILTRO	FILTERHOLDER SPRING
10	2422	TUERCA	NUT	35	10943	PORTAFILTRO SOLO	BODY FILTERHOLDER
11	2999	TAPA	CAP	36	7370	ARANDELA ELASTICA	ELASTIC WASHER
12	910	BALLESTA CORTA ANTIGUA	OLD SHORT CAM	37	62	TORNILLO MANGO PORTA	HOLDER HANDLE SCREW
13	911	BALLESTA LARGA ANTIGUA	OLD LARGE CAM	38	6116	SALIDA 1 CAFE CURVADA	1 COFFEE CURVED SPOUT
14	923	MUELLE PALANCA LARGA	LARGE LEVER SPRING	38	3024	SALIDA 1 CAFE RECTA	1 COFFEE SPOUT
15	21947	GOMA PORTA "LD"	"LD" FILTERHOLDER GASKET	38	5738	SALIDA 1 CAFE CURVA	1 COFFEE CURVED SPOUT
16	924	CAMPANA GRUPO PALANCA	LEVER GROUP BELL	39	149	SALIDA 2 CAFES CON TAPA	2 COFFEES SPOUT WITH LID
17	922	CREMALLERA S-70	S-70 SHAFT	39	3853	SALIDA 2 CAFES ABIERTA	2 COFFEES OPEN SPOUT
18	925	PERNO	SCREW	40	1494	MANGO PORTAFILTRO	FILTERHOLDER HANDLE
19	930	PISTON COMPLETO	COMPLET PISTON				
20	929	DUCHA PALANCA ANTIGUA	OLD LEVER SHOWER				
21	7451	SUPLEMENTO JUNTA PISTON	PISTON GASKET SUPPLEMENT				
22	3014	TUERCA	NUT				



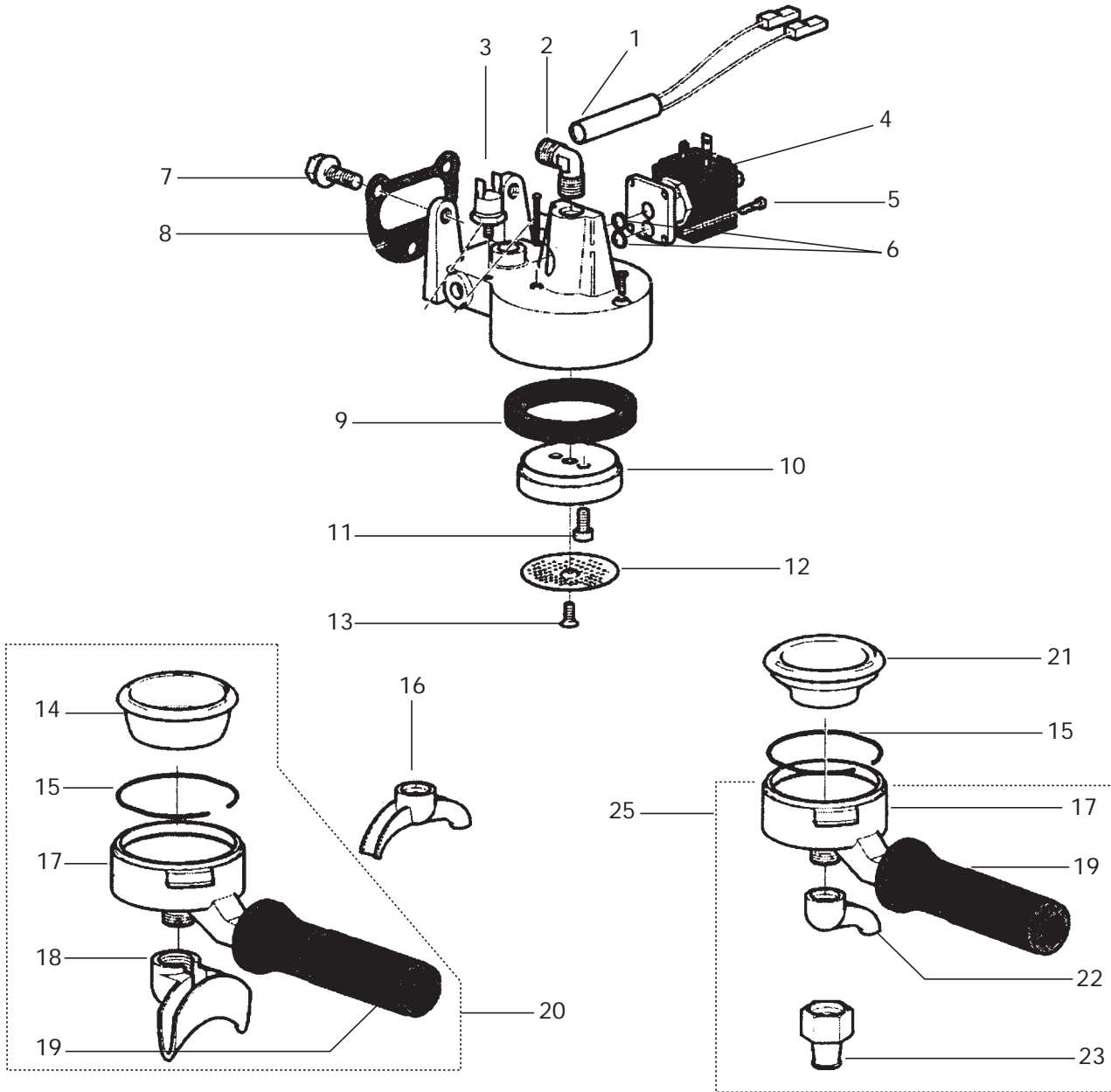
IBERITAL DE RECAMBIOS S.A.

FIG. COD.	DESCRIPCION	DESCRIPTION	FIG. COD.	DESCRIPCION	DESCRIPTION
1	1818 ELECTROVALVULA LUCIFER	SOLENOID	19	1078 TORNILLO INOX DUCHA	SHOWER SCREW
2	5745 BOBINA ELECTROVALVULA 220V	SOLENOID 220V COIL	20	463 MUELLE PORTAFILTRO	FILTERHOLDER SPRING
3	2441 NUCLEO ELETROVALVULA	SOLENOID NUCLEUS	21	6116 SALIDA 1 CAFE CURVADA	1 COFFEE CURVED SPOUT
4	2275 TORNILLO ELECTROVALVULA	SOLENOID SCREW	21	3024 PITORRO 1/4" RECTO 1 VIA	1 WAY SPOUT
5	6028 TORICA SILICONA	SILICONE GASKET	21	5738 PITORRO 1/4" CURVADO 1 VIA	1 WAY CURVED SPOUT
6	7714 PLETINA ELECTROVALVULA	SOLENOID PLATE	22	149 SALIDA 2 CAFES CON TAPA	2 COFFEES SPOUT WITH LID
7	7376 TUBO ELECTROVALVULA	SOLENOID PIPE	22	3853 PITORRO 2 VIAS 1/4" ABIERTO	2 WAYS 1/4" OPEN SPOUT
8	7374 TORNILLO FIJACION GRUPO	GROUP FIXING SCREW	23	10943 CUERPO PORTAFILTRO	BODY FILTERHOLDER
9	7370 ARANDELA ELASTICA	ELASTIC WASHER	24	7373 MANGO PORTAFILTRO	FILTERHOLDER HANDLE
10	7375 ARANDELA	WASHER	25	62 TORNILLO MANGO PORTA	HOLDER HANDLE SCREW
11	965 RACOR 1/4" x 1/4"	FITTING 1/4" x 1/4"	26	7378 TORICA GRUPO	GROUP O-RING
12	7377 JUNTA GRUPO ALIMENTARIA	ALIMENTARY GROUP GASKET			
13	2812 JUNTA METALOPLASTICA	COPPER GASKET			
14	2608 TUBO DESCARGA	DRAIN PIPE			
15	24223 JUNTA PORTA SUPLEMENTADA	SUPPLEMENT HOLDER GASKET			
15	24224 GOMA PORTA NORMAL	NORMAL HOLDER GASKET			
15	21947 GOMA PORTA "LD"	"LD" HOLDERGASKET			
15	21948 GOMA PORTA SUPLEMENTADA "LD"	"LD" SUPPLEMENT HOLDERGASKET			
16	2244 PORTADUCHAS	SHOWERHOLDER			
17	1047 TORNILLO ALLEN PORTADUCHAS	SHOWERHOLDER SCREW			
18	1087 DUCHA PLANA CONTINUA	CONTINUOUS PLANE SHOWER			



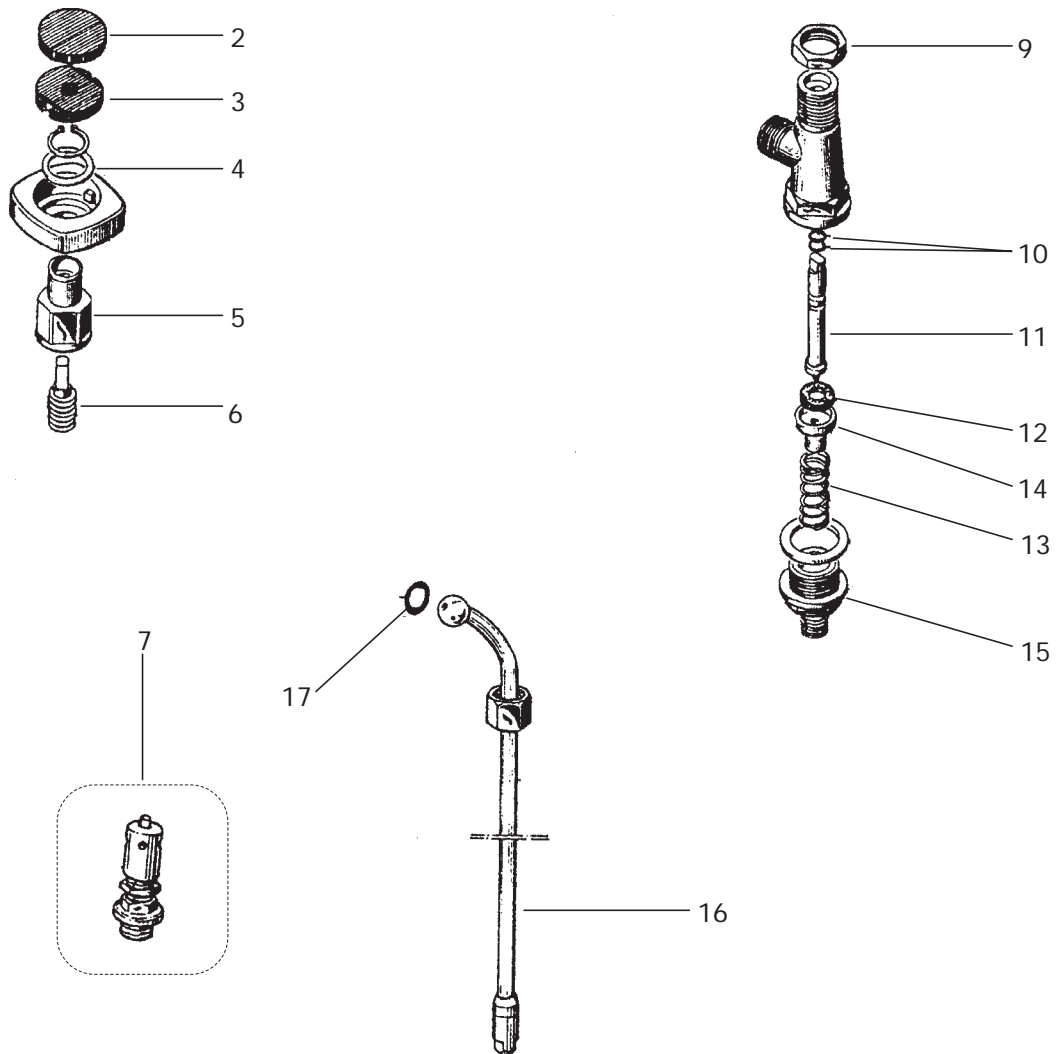
IBERITAL DE RECAMBIOS S.A.

FIG. COD.	DESCRIPCION	DESCRIPTION	FIG. COD.	DESCRIPCION	DESCRIPTION
1 11121	TERMOSTATO 90°	TERMOSTAT 90°	16 11436	MUELLE PORTAFILTRO	FILTERHOLDER SPRING
2 11122	CODO 1/4" x 1/4"	1/4" x 1/4" ELBOW	17 10943	CUERPO PORTAFILTRO LARGO	LONG FILTERHOLDER BODY
3 11123	AISLANTE GRUPO	GROUP ISOVATE	18 7373	MANGO PORTAFILTRO LARGO	FILTERHOLDER HANDLE
4 4339	TUERCA M8 INOX	M8 SS NUT	19 62	TORNILLO ALLEN	ALLEN SCREW
5 11124	RESIST. GRUPO XE-XD/FD-FE 2000	XE-XD/FD-FE 2000 GROUP ELEMENT	20 2692	ARANDELA	WASHER
5 22686	RESIST. GRUPO TE-TD 93	TE-TD 93 GROUP ELEMENT	21 7227	ARANDELA ELASTICA	FLEXIBLE WASHER
6 8259	ELECTROVALVULA PARKER 220 V	PARKER 220 V SOLENOID	22 11127	CUERPO PORTAFILTRO CORTO	SHORT FILTERHOLDER BODY
6 10016	ELECTROVALVULA PARKER 110 V	PARKER 110 V SOLENOID	23 11128	MANGO PORTAFILTRO CORTO	SHORT FILTERHOLDER HANDLE
7 2275	TORNILLO ELECTROV. ALLEN	ALLEN SOLENOID SCREW	24 11129	CONJUNTO PORTAFILTRO 2 CAFES	2 COFFEES FILTERHOL. ASSEMBLY
8 6028	TORICAS SILICONA	SILICONE O-RING	24 11510	CONJUNTO PORTAFILTRO 1 CAFE	1 COFFEE FILTERHOL. ASSEMBLY
9 11125	CUERPO GRUPO	GROUP BODY	25 11130	CONJUNTO PORTAFILTRO LARGO	LONG FILTERHOLDER ASSEMBLY
10 24223	JUNTA PORTAFILTROS	FILTERHOLDER GASKET	26 149	SALIDA 2 VIAS	2 WAY SPOUT
10 24224	JUNTA PORTAFIL. IMPLEMENTADA	FILTERHOL. GASKET SUPLEMENT	27 6116	SALIDA 1 VIA CURVA	ROUND 1 WAY SPOUT
10 21947	GOMA PORTA "LD"	"LD" HOLDERGASKET	28 19369	CONJUNTO PORTAFILTROS COMPLETO 1 VIA	1 WAY FILTERHOLDER COMPLET ASSEMBLY
10 21948	GOMA PORTA SUPLEMENTADA "LD"	"LD SUPPLEMENT" HOLDERGASKET	28 19370	CONJUNTO PORTAFILTROS COMPLETO 2 VIAS	2 WAYS FILTERHOLDER COMPLET ASSEMBLY
11 2244	PORTADUCHAS	SHOWER HOLDER	29 19642	REJILLA APOYATAZAS 2 GR	2 GR GRID CUPS
12 1047	TORNILLO ALLEN	ALLEN SCREW	30 19643	BANDEJA APOYATAZAS 2 GR	2 GR TRAY CUPS
13 1087	DUCHA	SHOWER			
14 1078	TORNILLO DUCHA	SHOWER SCREW			
15 11434	CACILLO 1 CAFE	FILTER 1 COFFEE			
15 11435	CACILLO 2 CAFES	FILTER 2 COFFEES			
15 211	CACILLO CIEGO	FILTER BLIND			



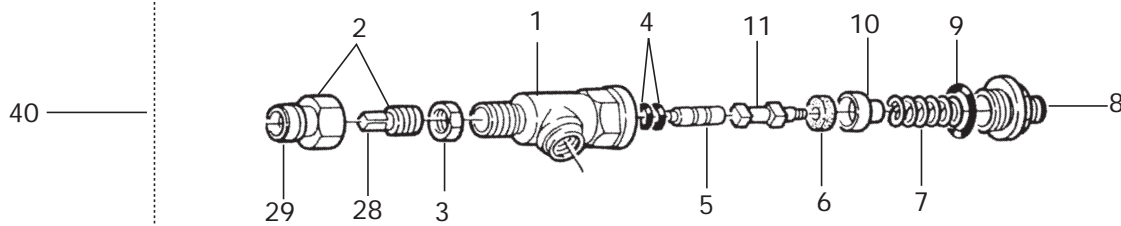
IBERITAL DE RECAMBIOS S.A.

FIG.	COD.	DESCRIPCION	DESCRIPTION	FIG.	COD.	DESCRIPCION	DESCRIPTION
1	22687	RESISTENCIA GRUPO GD-GE	GD-GE GROUP ELEMENT	18	14505	SALIDA 2 CAFES ABIERTA	OPEN 2 COFFEES SPOUT
2	11122	CODO 1/4" x1/4"	1/4" x1/4" ELBOW	19	22690	MANGO PORTAFILTRO GD-GE	GD-GE FILTERHOLDER HANDLE
3	11121	TERMOSTATO GRUPO 90°	90° GROUP THERMOSTAT	20	22691	PORTAFILTRO CTO. 2 CAFES	CPL. 2 COFFEES FILTERHOLDER
4	8259	ELECTROVALVULA PARKER 220V	PARKER 220V SOLENOID	21	11434	CACILLO 1 CAFE	1 COFFEE SPOUT
4	10016	ELECTROVALVULA PARKER 110V	PARKER 110V SOLENOID	21	211	CACILLO CIEGO	FILTER BLIND
5	2275	TORNILLO	SCREW	22	6115	SALIDA 1 CAFE	1 COFFEE SPOUT
6	6028	TORICA SILICONA	SILICONE GASKET	23	72	SALIDA 1 VIA RECTA 3/8	1 WAY SPOUT STRAIGHT 3/8"
7	22688	TORNILLO GRUPO	GROUP SCREW	25	22692	PORTAFILTRO 1 CAFE	CPL. 1 COFFEE FILTERHOLDER
8	22689	JUNTA GRUPO	GROUP GASKET				
9	24223	JUNTA PORTAFILTROS	FILTERHOLDER GASKET				
9	24224	JUNTA PORTAFILTRO SUPLEMENT.	SUPL. FILTERHOLDER GASKET				
9	21947	JUNTA PORTAFILTRO "LD"	"LD" FILTERHOLDER GASKET				
9	21948	GOMA PORTAFILTRO SUPLEMENT. "LD"	"LD" SUPPL. FILTERHOLDER GASKET				
10	2244	PORTADUCHAS	SHOWERHOLDER				
11	1047	TORNILLO ALLEN	ALLEN SCREW				
12	1087	DUCHA	SHOWER				
13	1078	TORNILLO DUCHA	SHOWER SCREW				
14	11435	CACILLO 2 CAFES	2 COFFEES FILTER				
15	11436	MUELLE PORTAFILTRO	FILTERHOLDER SPRING				
16	10425	SALIDA 2 CAFES	2 COFFEES SPOUT				
17	11127	CUERPO PORTAFILTRO CORTO	SHORT FILTERHOLDER BODY				

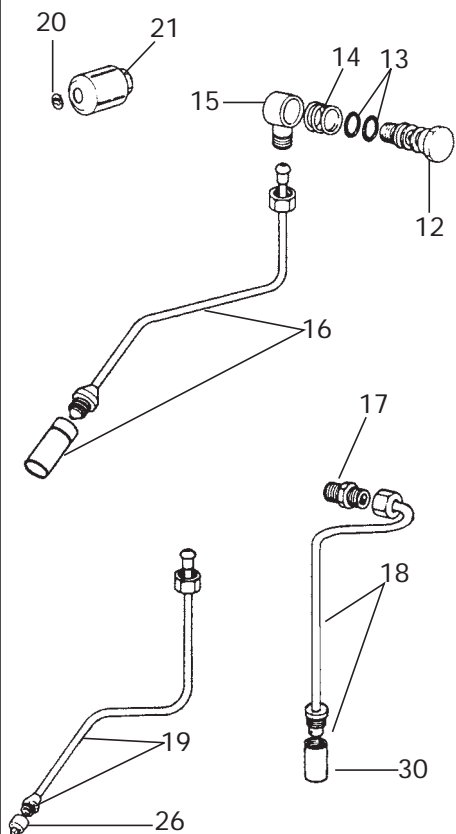


IBERITAL DE RECAMBIOS S.A.

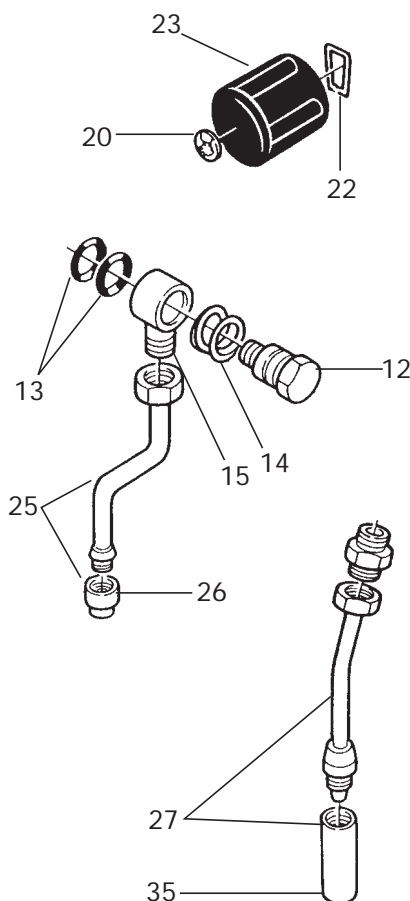
FIG.	COD.	DESCRIPCION	DESCRIPTION	FIG.	COD.	DESCRIPCION	DESCRIPTION
2	2670	TAPA MANDO VAPOR	STEAM HANDLE LID				
3	7391	SUPLEMENTO MANDO	HANDLE SUPPLEMENT				
4	7443	ARANDELA	WASHER				
5	7390	CABEZA GRIFO	TAP HEAD				
6	7392	EJE EXTERIOR	EXTERIOR ROD				
7	90020	VAL. SEGURIDAD HOMOLOGADA	HOMOLOGATE SAFETY VALVE				
9	7394	TUERCA GRIFO VAPOR	STEAM TAP NUT				
10	995	TORICA	GASKET				
11	7388	EJE GRIFO TEL	TEL TAP ROD				
12	962	JUNTA PLANA	PLANE GASKET				
13	1082	MUELLE GRIFO	TAP SPRING				
14	7406	PORTAJUNTAS	GASKETHOLDER				
15	7404	RACORD CIERRE GRIFO	TAP CLOSING FITTING				
16	4189	TUBO VAPOR	STEAM PIPE				
17	1019	TORICA	GASKET				



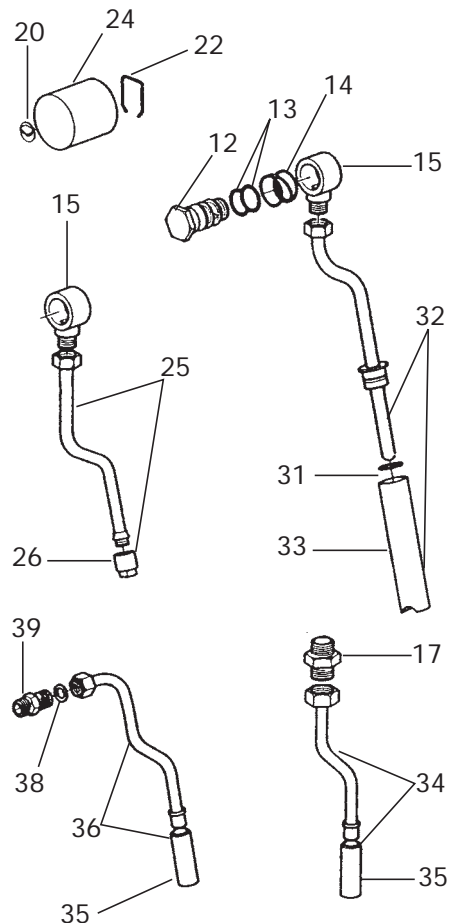
E-90 / D-90



TE / TD



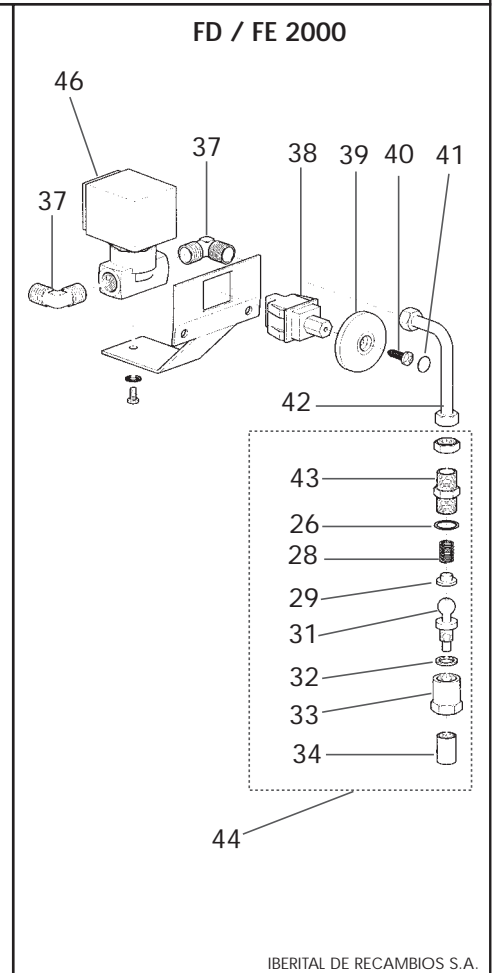
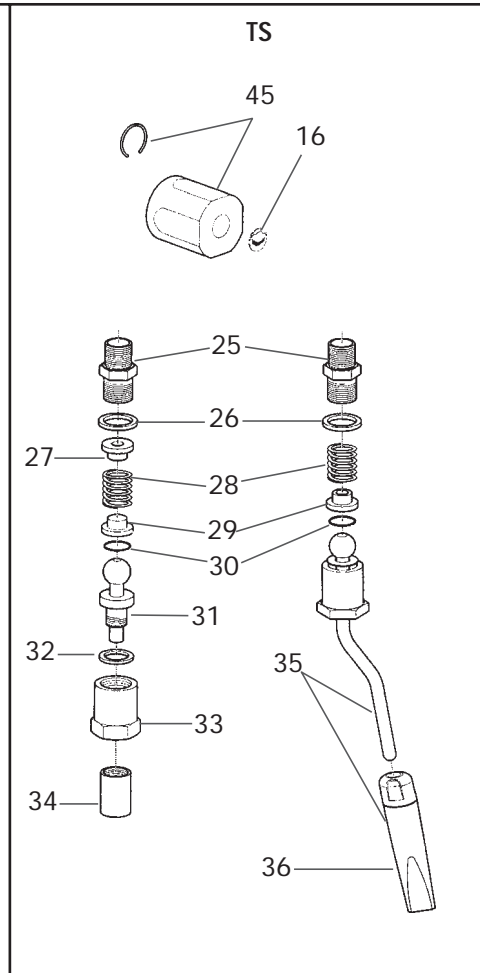
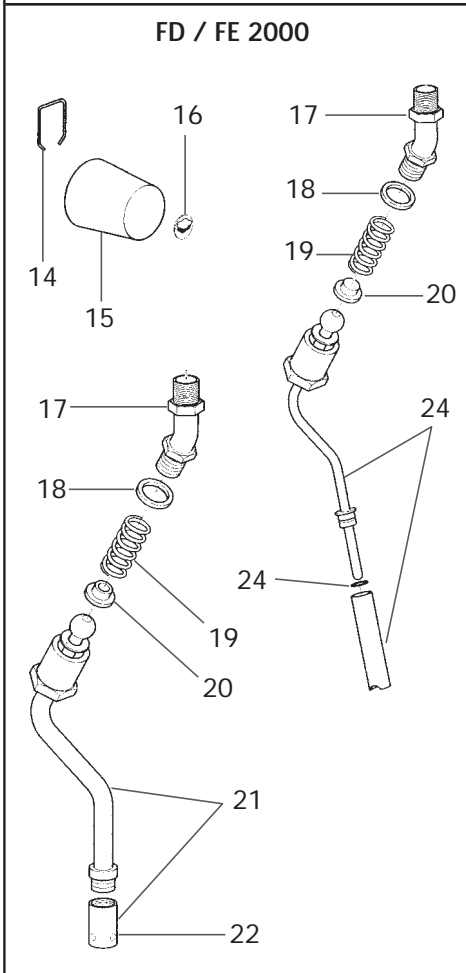
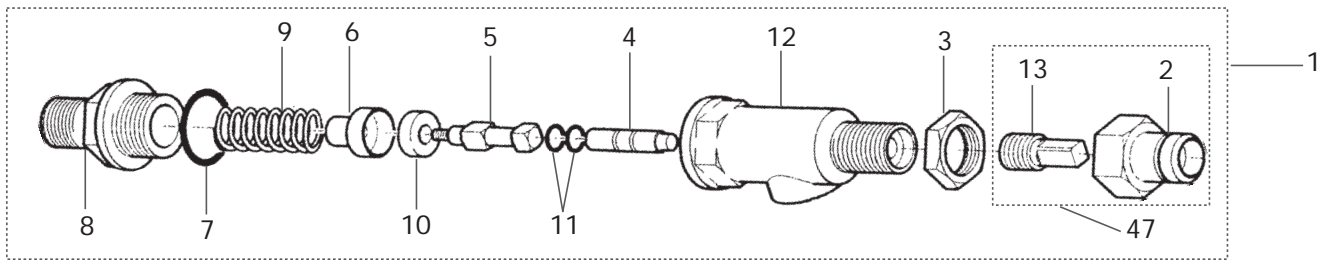
XE / XD



IBERITAL DE RECAMBIOS S.A.

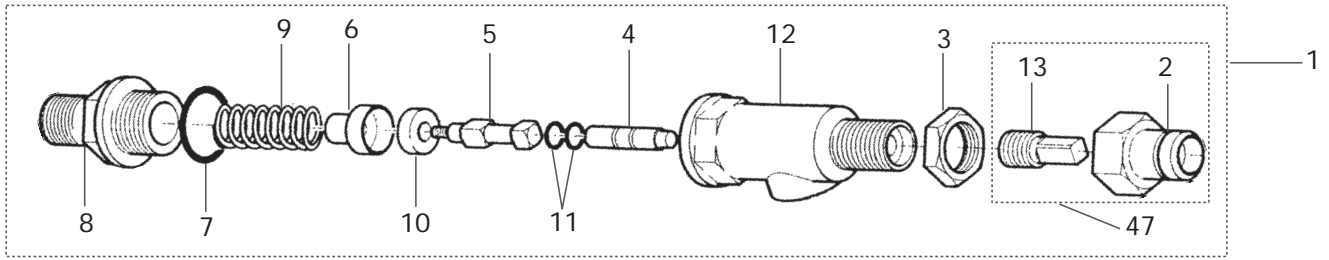
FIG.	COD.	DESCRIPCION	DESCRIPTION
1	7409	CUERPO GRIFO	TAP BODY
2	7412	TAPON GRIFO - EJE EXTERIOR	VALVE CAP - EXTERIOR ROD
3	2988	TUERCA GRIFO	TAP NUT
4	995	TORICA	OR GASKET
5	7408	EJE GRIFO	TAP ROD
6	7395	TACO CIERRE	CLOSING CAP
7	156	MUELLE	SPRING
8	7404	RACORD CIERRE GRIFO	TAP CLOSING FITTING
9	7397	TORICA	OR GASKET
10	7406	PORTAGOMAS	GASKETHOLDER
11	7407	EJE EMPUJADOR	PUSHING ROD
12	11140	RACORD FINAL GRIFO	VALVE NUT
13	186	TORICA VITON	VITON OR GASKET
14	466	MUELLE	SPRING
15	22693	ARGOLLA TUBO	PIPE HOOP
16	11151	TUBO VAPOR CAPPUCCINO	CAPPUCCINO STEAM PIPE
17	11148	RACORD	FITTING
18	11149	TUBO AGUA ELECTROVALVULA	SOLENOID WATER PIPE
19	11153	TUBO VAPOR NUEVO	NEW STEAM PIPE
19	7419	TUBO VAPOR ANTIGUO	OLD STEAM PIPE
20	22703	ADHESIVO ESCALDATAZAS	CUP WARMING STICKER
20	11133	ADHESIVO VAPOR	STEAM STICKER

FIG.	COD.	DESCRIPCION	DESCRIPTION
20	11134	ADHESIVO AGUA	WATER STICKER
21	11132	POMO VAPOR/AGUA	STEAM-WATER HANDLE
22	5476	MUELLE POMO	HANDLE SPRING
23	22694	POMO VAPOR/AGUA	STEAM-WATER HANDLE
24	22695	POMO VAPOR/AGUA	STEAM-WATER HANDLE
25	11135	TUBO VAPOR	STEAM PIPE
26	11144	SALIDA VAPOR	STEAM SPOUT
27	22696	TUBO AGUA	WATER PIPE
28	22699	EJE EXTERIOR	EXTERNAL ROD
29	22700	RACORD	FITTING
30	11150	SALIDA AGUA	WATER SPOUT
31	11143	TORICA	OR GASKET
32	11137	TUBO VAPOR CAPPUCCINO	CAPPUCCINO STEAM PIPE
33	11142	SALIDA VAPOR CAPPUCCINO	CAPPUCCINO STEAM SPOUT
34	11136	TUBO AGUA	WATER PIPE
35	11141	SALIDA AGUA CALIENTE	HOT WATER SPOUT
36	11138	TUBO AGUA ELECTROVALVULA	SOLENOID WATER PIPE
37	11152	SALIDA VAPOR CAPPUCCINO	CAPPUCCINO STEAM SPOUT
38	22697	CHICLEUR	CHICLEUR
39	22698	RACORD	FITTING
40	10409	CONJUNTO GRIFO	COMPLETE VALVE

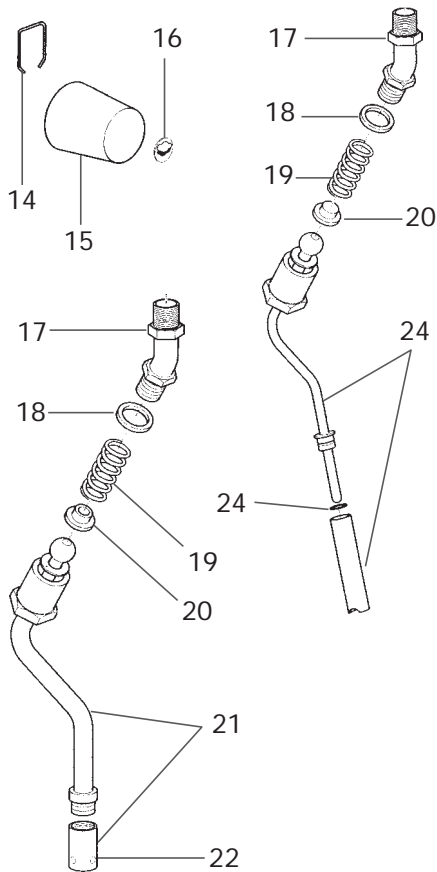


IBERITAL DE RECAMBIOS S.A.

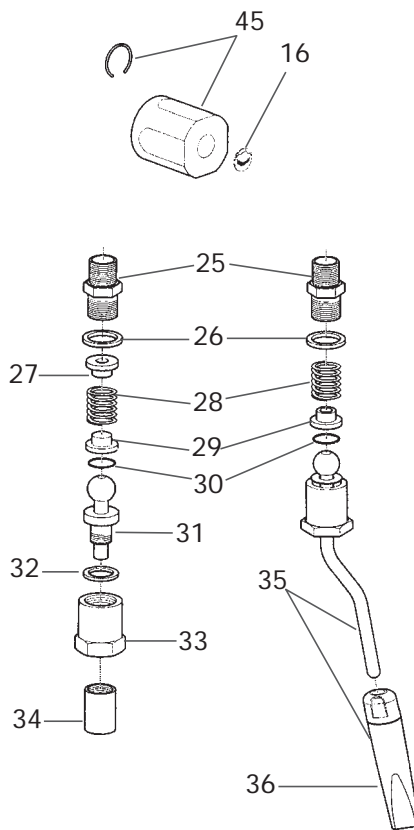
FIG.	COD.	DESCRIPCION	DESCRIPTION	FIG.	COD.	DESCRIPCION	DESCRIPTION
1	10409	CONJUNTO GRIFO	COMPLETE VALVE	21	19125	TUBO VAPOR	STEAM PIPE
2	22700	RACORD	FITTING	22	22704	SALIDA VAPOR	STEAM SPOUT
3	2988	TUERCA GRIFO	TAP NUT	23	19126	TUBO CAPPUCINATORE	CAPPUCINATORE PIPE
4	7408	EJE GRIFO	TAP ROD	24	11143	TORICA	OR GASKET
5	7407	EJE EMPUJADOR	PUSHING ROD	25	22705	RACORD	FITTING
6	7406	PORTAGOMAS	GASKET HOLDER	26	22706	JUNTA	GASKET
7	7397	TORICA	OR GASKET	27	22707	CHICLEUR	CHICLEUR
8	7404	RACORD CIERRE GRIFO	TAP CLOSING FITTING	28	22708	MUELLE	SPRING
9	156	MUELLE	SPRING	29	22709	CASQUILLO MUELLE	SPRING PRESS
10	7395	TACO CIERRE	CLOSING GASKET	30	22710	TORICA	OR GASKET
11	995	TORICA	OR GASKET	31	22711	TUBO AGUA	WATER PIPE
12	7409	CUERPO GRIFO	TAP BODY	32	22712	TORICA	OR GASKET
13	22699	EJE EXTERIOR	EXTERNAL ROD	33	22713	TUERCA	NUT
14	5476	MUELLE POMO	HANDLE SPRING	34	11141	SALIDA AGUA CALIENTE	HOT WATER SPOUT
15	22702	POMO GRIFO	TAP HANDLE	35	22714	TUBO VAPOR	STEAM PIPE
16	22703	ADHESIVO ESCALDATAZAS	CUP WARMING STICKER	36	22715	SALIDA VAPOR	STEAM SPOUT
16	11133	ADHESIVO VAPOR	STEAM STICKER	37	11122	RACORD CODO 1/4" x1/4"	1/4" x1/4" ELBOW FITTING
16	11134	ADHESIVO AGUA	WATER STICKER	38	19127	PULSADOR AGUA FD 2000	FD 2000 WATER PUSH BUTTON
17	19122	RACORD CODO 3/8"	3/8" ELBOW FITTING	38	19128	INTERRUPTOR AGUA FE 2000	FE 2000 WATER SWITCH
18	4215	JUNTA TEFLON	TEFLON GASKET	39	19129	MANDO AGUA	WATER HANDLE
19	19123	MUELLE	SPRING	40	19130	TORNILLO	SCREW
20	19124	CASQUILLO MUELLE	SPRING PRESS	41	19131	ADHESIVO AGUA	WATER STICKER



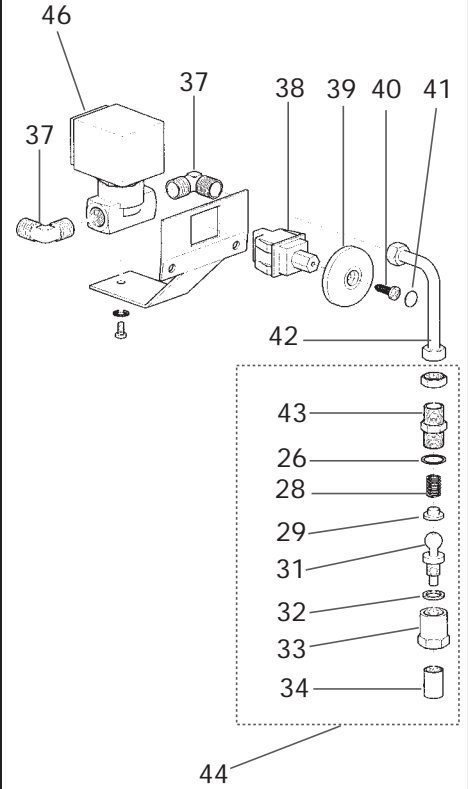
FD / FE 2000



TS



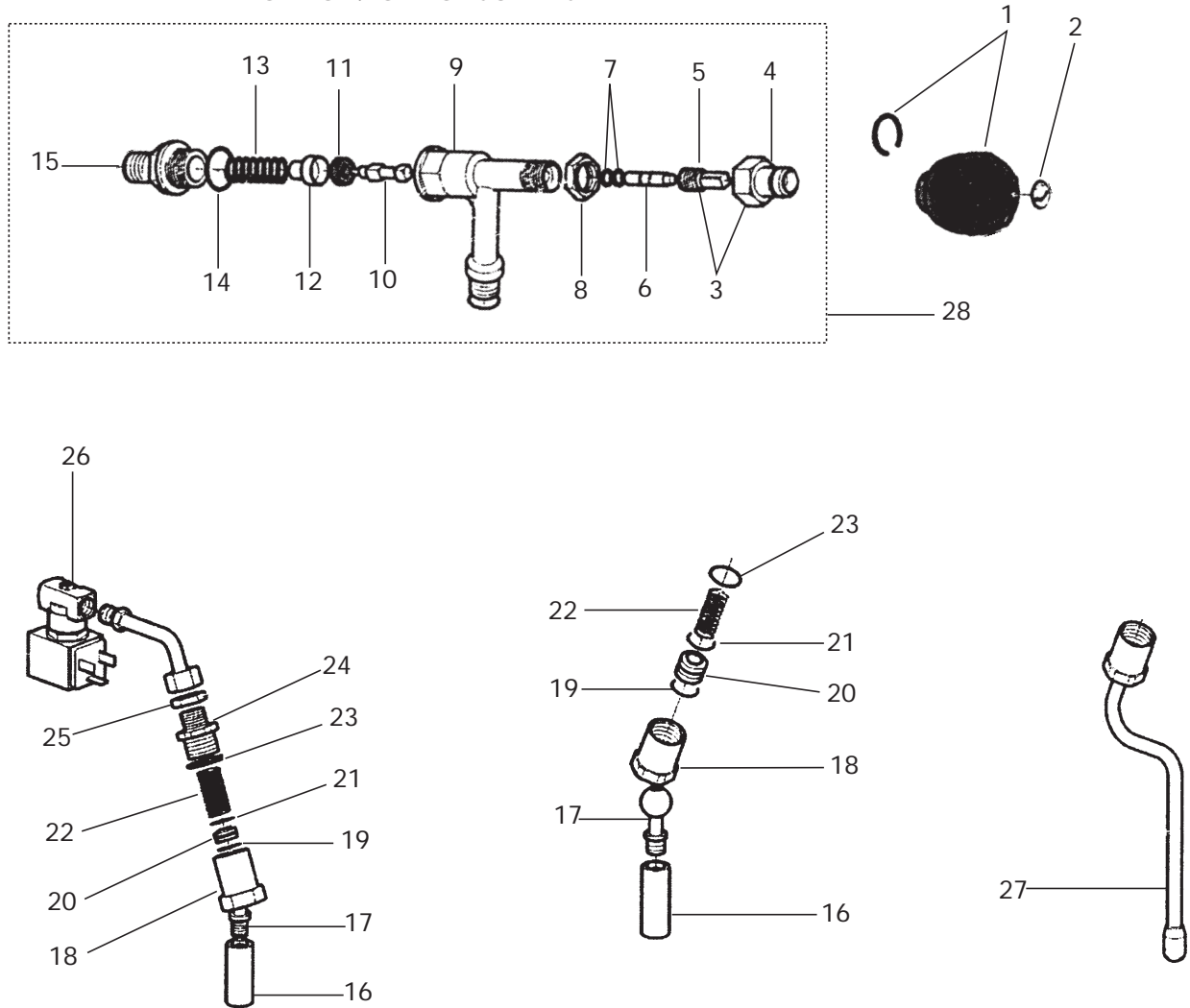
FD / FE 2000



IBERITAL DE RECAMBIOS S.A.

FIG. COD.	DESCRIPCION	DESCRIPTION	FIG. COD.	DESCRIPCION	DESCRIPTION
42	19132 TUBO EMPALME	CONEXION PIPE			
43	22716 RACORD	FITTING			
44	19133 SALIDA AGUA CALIENTE CPT.	WATER OUTLET ASSEMBLY			
45	22717 POMO VAPOR	STEAM HANDLE			
46	10176 ELECTROVALVULA 220V	220V SOLENOID			
46	10015 ELECTROVALVULA 110V	110V SOLENOID			
47	7412 RACORD COMPLETO	COMPLETE FITTING			

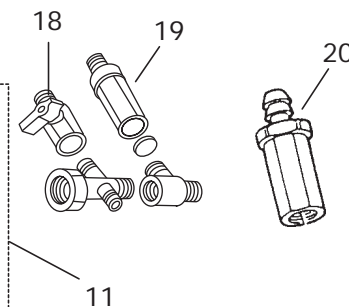
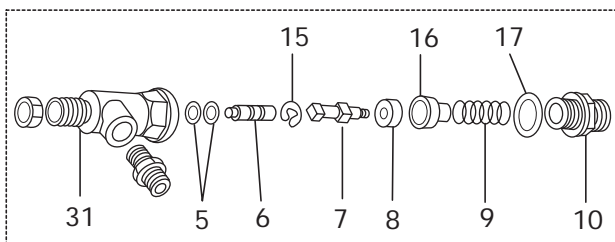
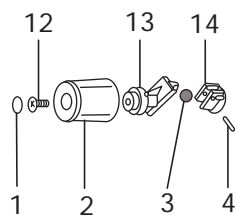
GD - GE / GD - GE COMPACT



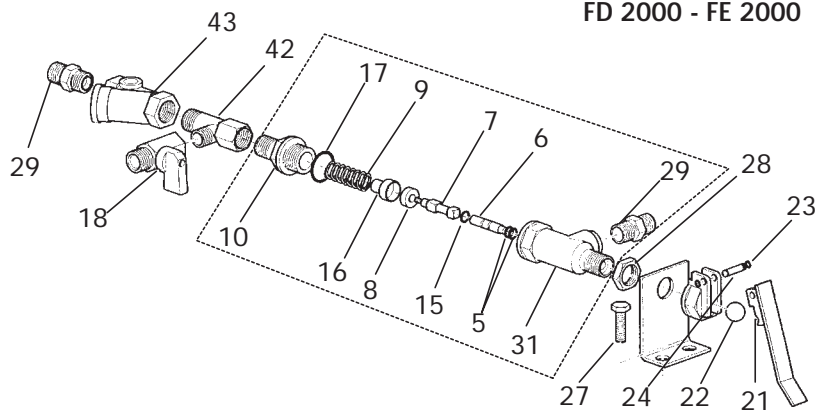
IBERITAL DE RECAMBIOS S.A.

FIG. COD.	DESCRIPCION	DESCRIPTION	FIG. COD.	DESCRIPCION	DESCRIPTION
1 22718	POMO VAPOR	STEAM HANDLE	21 22710	TORICA	OR GASKET
2 22703	ADHESIVO ESCALDATAZAS	CUP WARMING STICKER	22 22708	MUELLE	SPRING
2 11133	ADHESIVO VAPOR	STEAM STICKER	23 22706	JUNTA	GASKET
2 11134	ADHESIVO AGUA	WATER STICKER	24 22727	RACORD	FITTING
3 7412	RACORD COMPLETO	COMPLETE FITTING	25 22728	TUERCA	NUT
4 22700	RACORD	FITTING	26 10176	ELECTROVALVULA 220V	220V SOLENOID
5 22699	EJE EXTERIOR	EXTERNAL ROD	26 10015	ELECTROVALVULA 110V	110V SOLENOID
6 7408	EJE GRIFO	TAP ROD	27 22729	TUBO VAPOR	STEAM PIPE
7 995	TORICA	OR GASKET	28 22730	GRIFO COMPLETO	COMPLETE TAP
8 2988	TUERCA	NUT			
9 22647	CUERPO GRIFO	TAP BODY			
10 7407	EJE EMPUJADOR	PUSHING ROD			
11 7395	TACO CIERRE	CLOSING GASKET			
12 7406	PORTAGOMAS	GASKETHOLDER			
13 156	MUELLE	SPRING			
14 7397	TORICA	OR GASKET			
15 7404	RACORD CIERRE GRIFO	TAP CLOSING FITTING			
16 11141	SALIDA AGUA CALIENTE	HOT WATER SPOUT			
17 22711	TUBO AGUA	WATER PIPE			
18 22713	TUERCA	NUT			
19 22712	TORICA	OR GASKET			
20 22709	CASQUILLO MUELLE	SPRING PRESS			

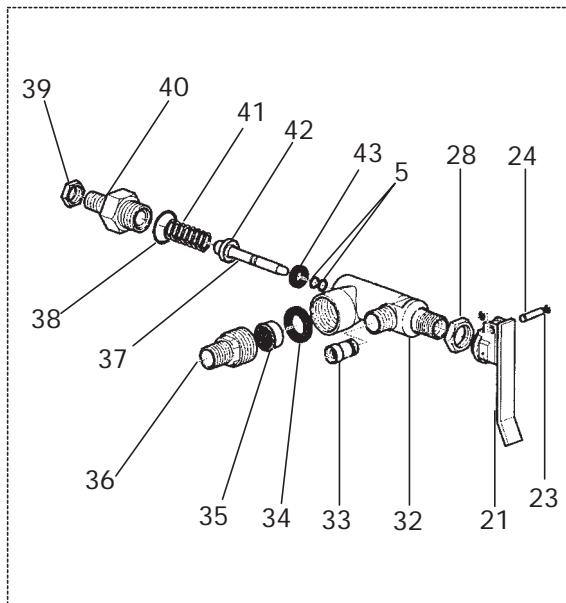
E 90 - D 90



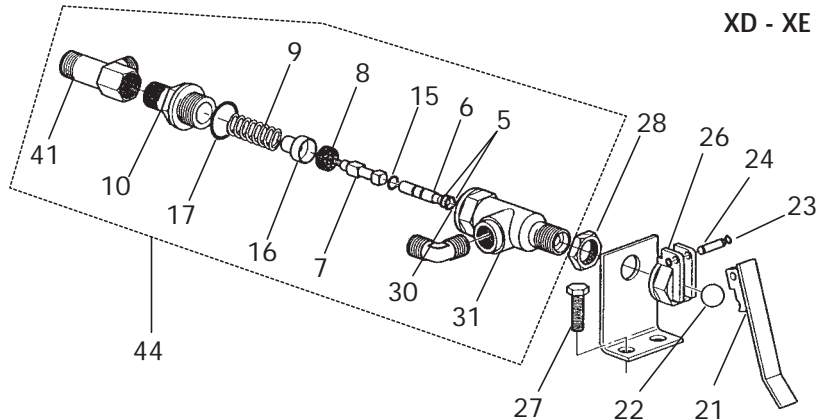
FD 2000 - FE 2000



GD - GE



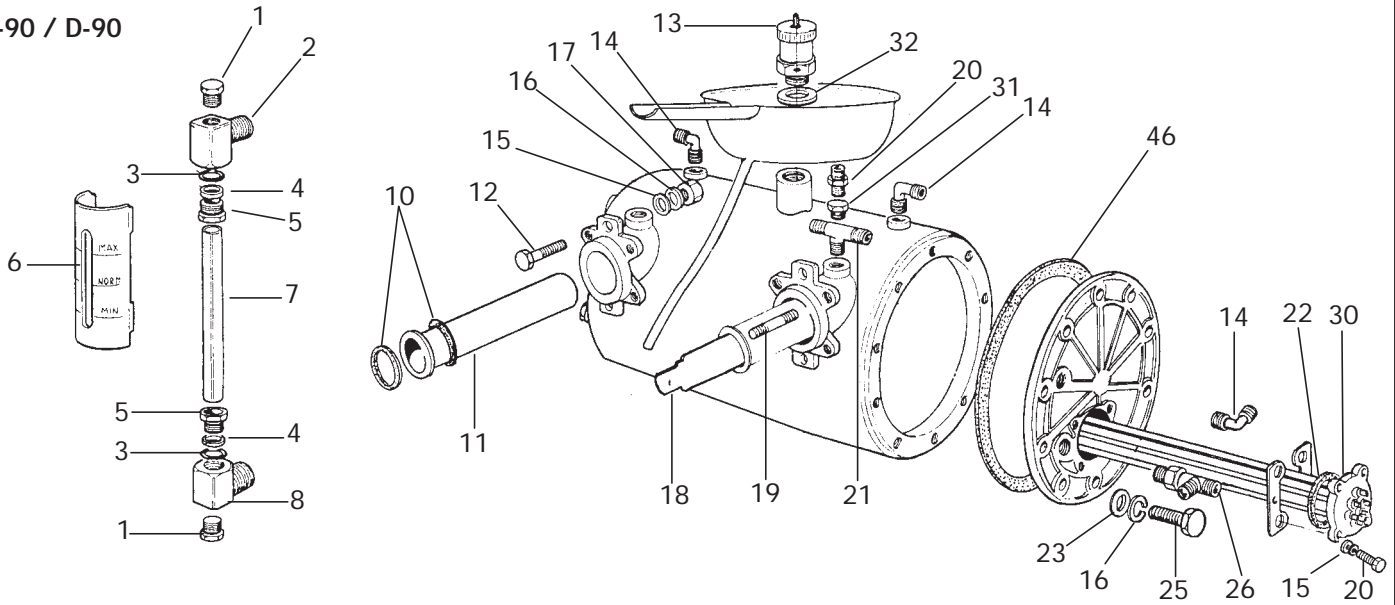
XD - XE



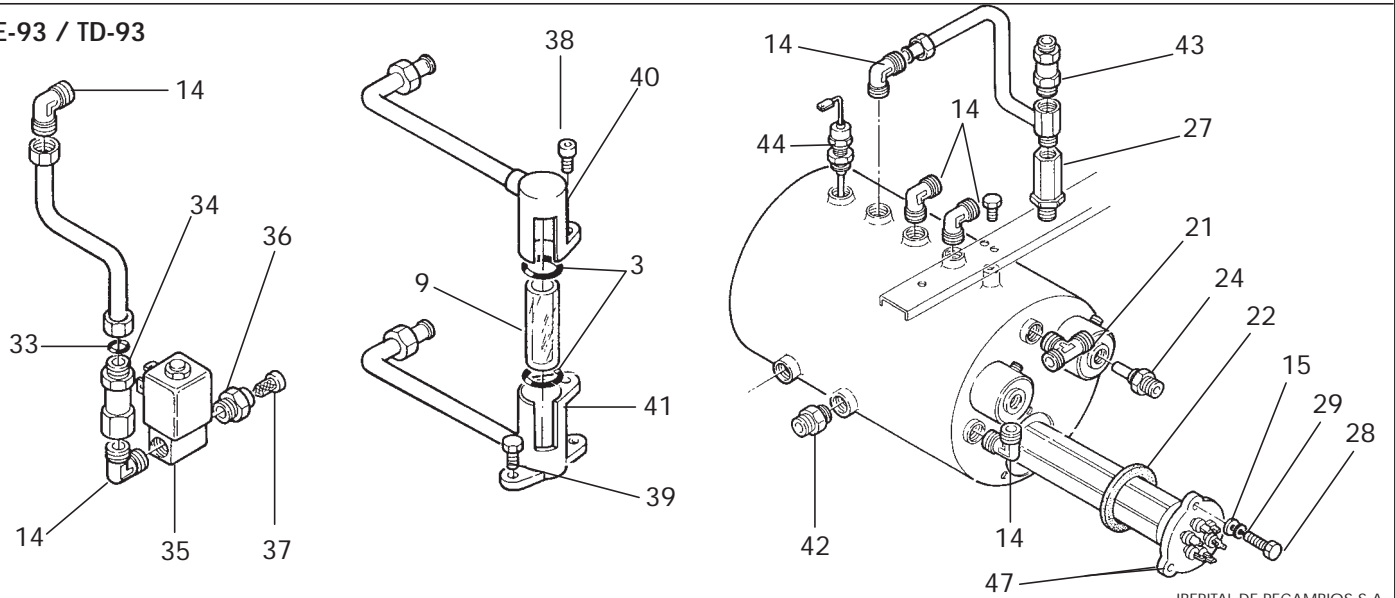
IBERITAL DE RECAMBIOS S.A.

FIG. COD.	DESCRIPCION	DESCRIPTION	FIG. COD.	DESCRIPCION	DESCRIPTION
1 11163	ADHESIVO CARGA	INLET STICKER	24 22733	PASADOR	PIN
2 11157	POMO CARGA	INLET HANDLE	25 22735	GRIFO CARGA CPT. GD-GE	GD-GE INLET TAP ASSEMBLY
3 11159	ESFERA INOX	BALL BEARING	26 22736	SOPORTE LEVA CARGA	INLET LEVER BRACKET
4 11161	PERNO SOPORTE	BRACKET PIN	27 22737	TORNILLO	SCREW
5 995	TORICA	OR GASKET	28 22738	TUERCA	NUT
6 11155	EJE GRIFO CARGA	INLET TAP ROD	29 993	RACORD	FITTING
7 7407	EJE EMPUJADOR	PUSHING ROD	30 22739	RACORD CODO	ELBOW FITTING
8 7395	TACO CIERRE	CLOSING GASKET	31 7409	CUERPO GRIFO	TAP BODY
9 156	MUELLE	SPRING	32 22740	CUERPO GRIFO	TAP BODY
10 7404	RACORD CIERRE GRIFO	TAP CLOSING FITTING	33 22741	VALVULA ANTIRETORNO	RETENTION VALVE
11 11131	CONJUNTO GRIFO CARGA	INLET TAP ASSEMBLY	34 22742	JUNTA	GASKET
12 11162	TORNILLO	SCREW	35 22743	FILTRO	FILTER
13 11158	LEVA CARGA	INLET LEVER	36 22744	RACORD FILTRO	FILTER FITTING
14 11160	SOPORTE LEVA CARGA	INLET LEVER BRACKET	37 22745	EJE GRIFO	TAP ROD
15 11156	SEGER	SEGER	38 22746	TORICA	OR GASKET
16 7406	PORTAGOMAS	GASKETHOLDER	39 22747	TUERCA	NUT
17 7397	TORICA	TORICA	40 22748	RACORD	FITTING
18 8263	GRIFO CIERRE	CLOSING TAP	41 22749	MUELLE	SPRING
19 19644	VALVULA EXPANSION C/ROSCA	EXPANSION VALVE W/THREAD	42 22750	PORTAGOMAS	GASKETHOLDER
20 19645	VALV, EXPANSION C/PORTAGOMA	EXP. VALVE W/RUBBER HOLDER	43 22751	JUNTA	GASKET
21 22731	LEVA GRIFO CARGA	INLET TAP LEVER	44 22752	GRIFO CARGA COMPLETO	INLET TAP ASSEMBLY
22 22732	ESFERA INOX	BALL BEARING			
23 22734	SEGER	SEGER			

E-90 / D-90



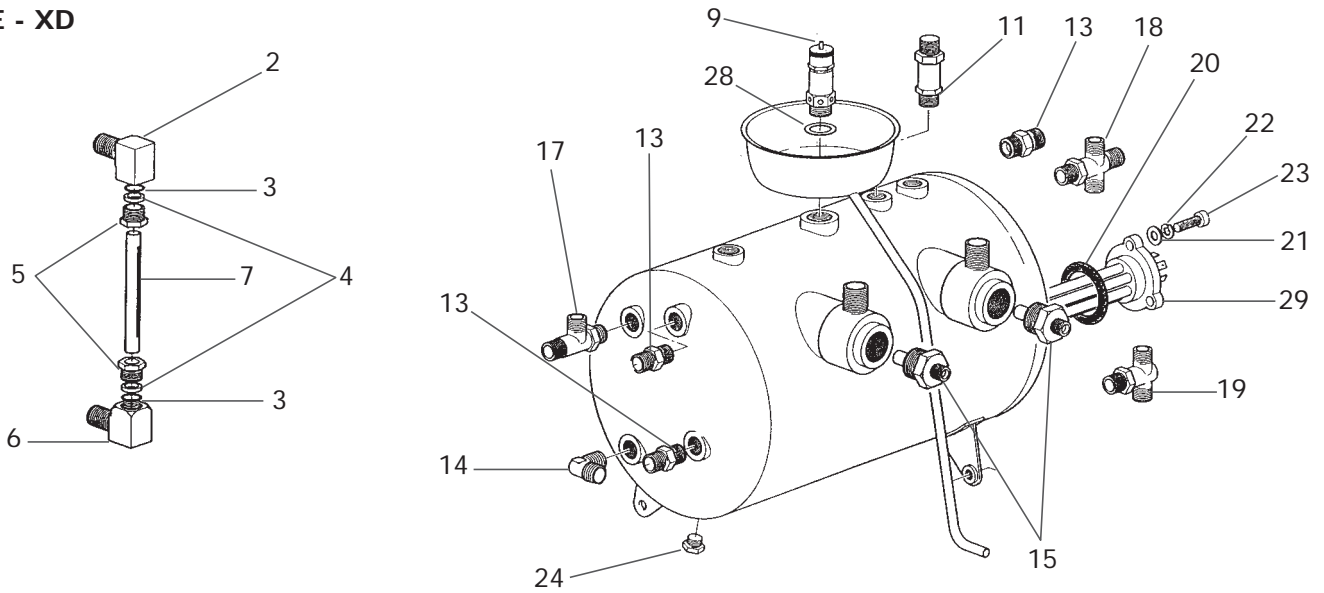
TE-93 / TD-93



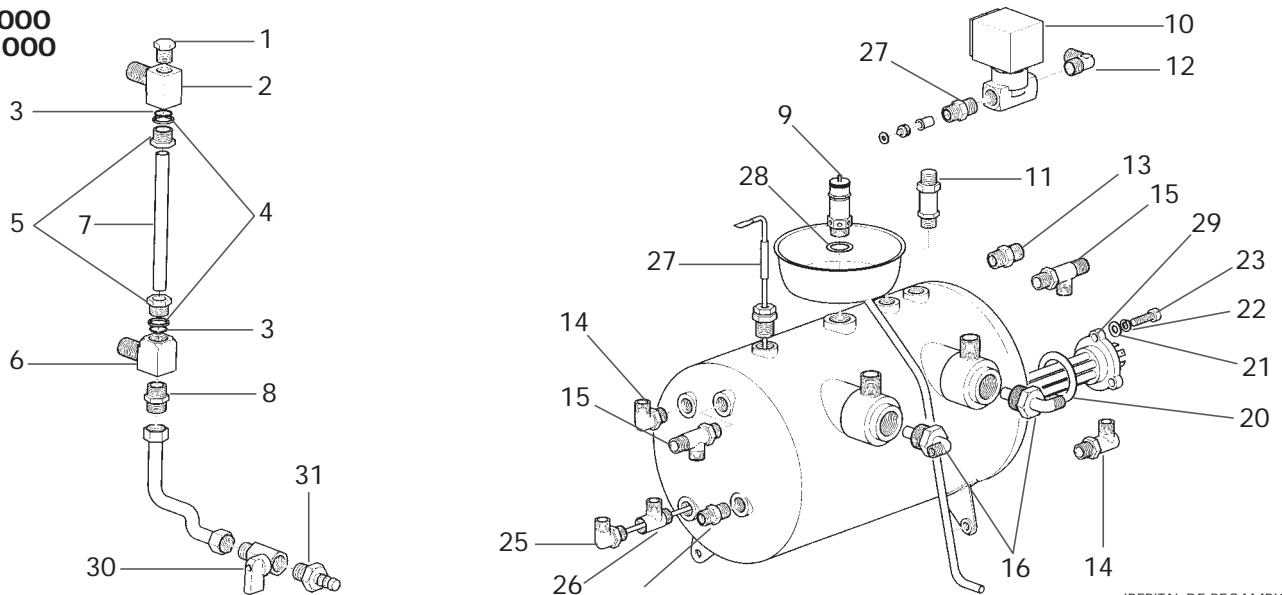
IBERITAL DE RECAMBIOS S.A.

FIG.	COD.	DESCRIPCION	DESCRIPTION	FIG.	COD.	DESCRIPCION	DESCRIPTION
1	11173	TAPON NIVEL	LEVEL CAP	24	22758	TUBO PESCANTE	SUCTION WATER PIPE
2	11164	CUERPO NIVEL SUPERIOR	UPPER LEVEL BODY	25	22759	TORNILLO	SCREW
3	11166	TORICA NIVEL	LEVEL OR GASKET	26	22760	RACORD	FITTING
4	11167	ARANDELA NIVEL	LEVEL WASHER	27	22761	VALVULA SEGURIDAD	SAFETY VALVE
5	11168	TUERCA NIVEL	LEVEL NUT	28	22762	TORNILLO	SCREW
6	7430	PROTECTOR NIVEL	LEVEL GLASS PROTECTOR	29	22763	ARANDELA	WASHER
7	7432	VIDRIO NIVEL 140mm	140mm LEVEL GLASS	30	7711	RESIST. 1GR 2000W 220/380V	1GR 2000W 220/380V RESIST.
8	11165	CUERPO NIVEL INFERIOR	LOWER LEVEL BODY	30	6303	RESIST. 2GR 4000W 220/380V	2GR 4000W 220/380V RESIST.
9	7431	VIDRIO NIVEL CORTO	SHORT LEVEL GLASS	30	7712	RESIST. 3GR 5000W 220/380V	3GR 5000W 220/380V RESIST.
10	11172	JUNTA LIQUIDA LOCTITE	LOCTITE LIQUID GASKET	30	7713	RESIST. 4GR 6000W 220/380V	4GR 6000W 220/380V RESIST.
11	11171	TUBO INTERCAMBIADOR	EXCHANGE PIPE	30	24405	RESIST. 2GR 2500W/220V	2GR 2500W/220V RESISTANCE
12	7100	TORNILLO	SCREW	30	25023	RES. 2GR E90 220V EVOLUTION	2GR 220V E90 EVOLUTION ELEMENT
13	22753	VALVULA SEGURIDAD	SAFETY VALVE	30	25024	RES. 3GR E90 220V EVOLUTION	3GR 220V E90 EVOLUTION ELEMENT
14	22158	RACORD CODO	ELBOW FITTING	31	2585	TAPON	CAP
15	22754	ARANDELA	WASHER	32	22764	JUNTA	GASKET
16	22755	ARANDELA	WASHER	33	22765	ARANDELA CHICLEUR	CHICLEUR WASHER
17	4339	TUERCA	NUT	34	22766	VALVULA ANTIRETORNO	RETENTION VALVE
18	22756	PLETINA	PLATE	35	10176	ELECTROVALVULA 220V	220V SOLENOID
19	22757	ESPARRAGO	SCREW	35	10015	ELECTROVALVULA 110V	110V SOLENOID
20	22698	RACORD	FITTING	36	22767	RACORD	FITTING
21	22138	RACORD	FITTING	37	22768	FILTRO	FILTER
22	7424	TORICA RESISTENCIA	RESISTANCE OR GASKET	38	22769	TORNILLO	SCREW
22	7425	JUNTA RESISTENCIA TEFLON	TEFLON ELEMENT GASKET	39	22770	TORNILLO	SCREW
23	22757	ARANDELA	WASHER	40	22771	CUERPO NIVEL SUPERIOR	UPPER LEVEL BODY

XE - XD

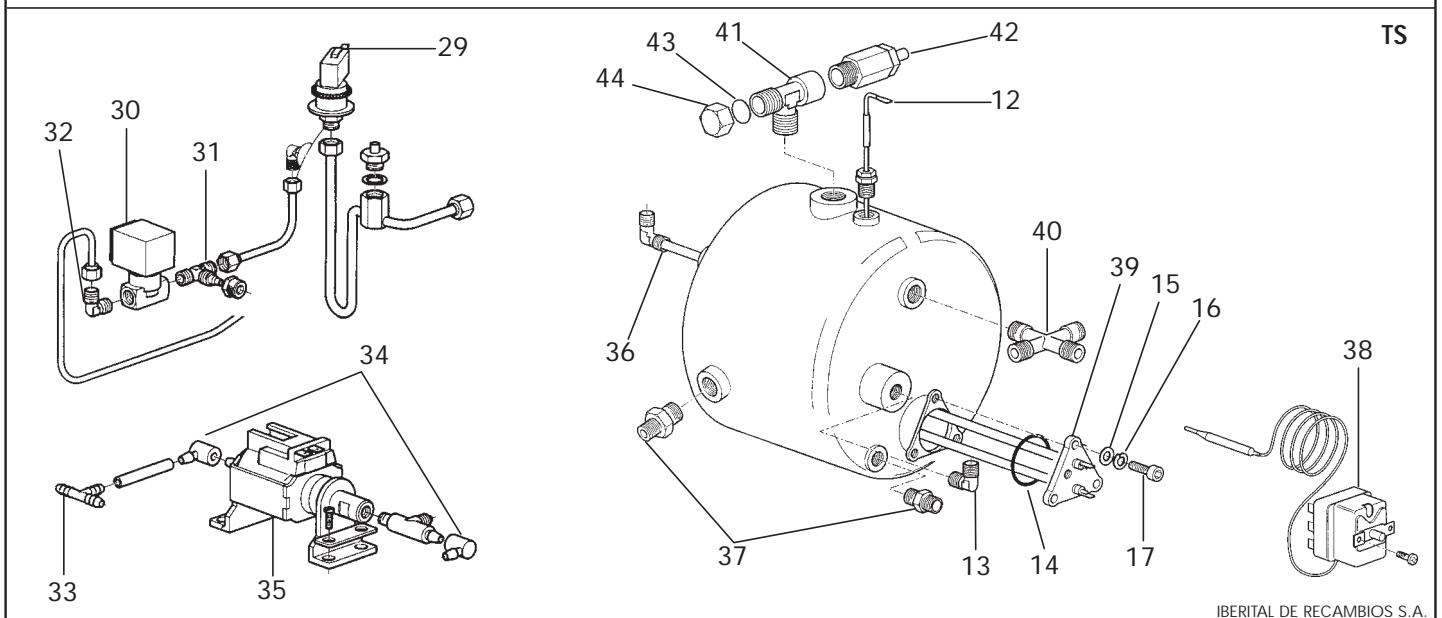
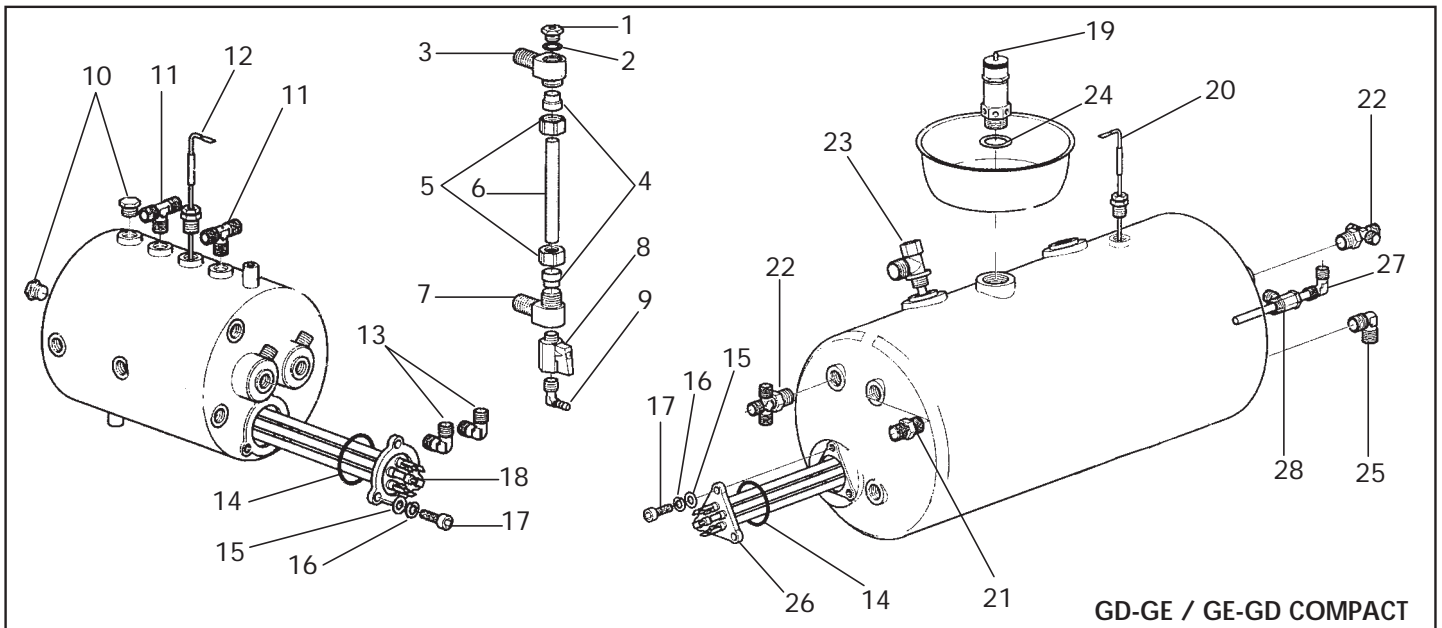


FE-2000
FD-2000



IBERITAL DE RECAMBIOS S.A.

FIG. COD.	DESCRIPCION	DESCRIPTION	FIG. COD.	DESCRIPCION	DESCRIPTION
1 11173	TAPON NIVEL	LEVEL CAP	21 22754	ARANDELA	WASHER
2 11164	CUERPO NIVEL SUPERIOR	UPPER LEVEL BODY	22 22763	ARANDELA	WASHER
3 11166	TORICA NIVEL	LEVEL OR GASKET	23 22762	TORNILLO	SCREW
4 11167	ARANDELA NIVEL	LEVEL WASHER	24 22781	TAPON	CAP
5 11168	TUERCA NIVEL	LEVEL NUT	25 22782	TUBO PESCANTE	SUCTION WATER PIPE
6 11165	CUERPO NIVEL INFERIOR	LOWER LEVEL BODY	26 22783	RACORD	FITTING
7 7432	VIDRIO NIVEL 140mm	140mm LEVEL GLASS	27 22784	SONDA NIVEL	LEVEL PROBE
8 993	RACORD	FITTING	28 22764	JUNTA	GASKET
9 22761	VALVULA SEGURIDAD	SAFETY VALVE	29 22785	RESISTENCIA 2GR 110V	2GR 110V RESISTANCE
10 10176	ELECTROVALVULA 220V	220V SOLENOID	29 22787	RESISTENCIA 3GR 5000W 230V	3GR 5000W 230V RESISTANCE
10 10015	ELECTROVALVULA 110V	110V SOLENOID	29 24807	RESISTENCIA 2GR 220V XE-XD	2GR 220V XE-XD RESISTANCE
11 22773	VALVULA DEPRESORA	VACUUM VALVE	30 8263	GRIFO BOLA	BALL CAP
12 22158	RACORD CODO	ELBOW FITTING	31 22135	RACORD	FITTING
13 965	RACORD	FITTING			
14 22159	RACORD	FITTING			
15 22777	TUBO PESCANTE	SUCTION WATER PIPE			
16 22778	TUBO PESCANTE	SUCTION WATER PIPE			
17 22760	RACORD	FITTING			
18 22779	RACORD	FITTING			
19 22780	RACORD	FITTING			
20 7424	TORICA RESISTENCIA	RESISTANCE OR GASKET			
20 7425	JUNTA RESISTENCIA TEFLON	TEFLON ELEMENT GASKET			



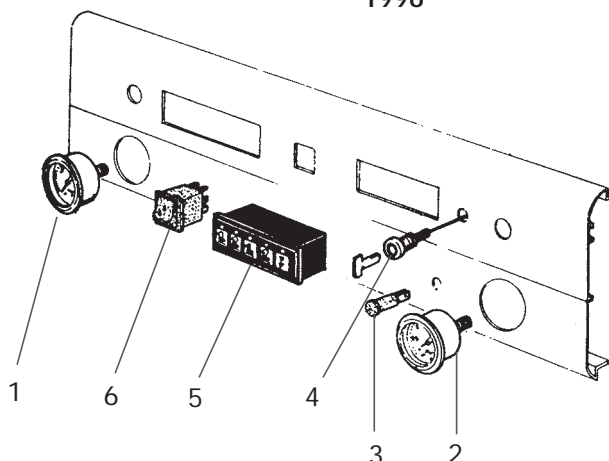
IBERITAL DE RECAMBIOS S.A.

FIG.	COD.	DESCRIPCION	DESCRIPTION
1	3319	VALVULA DEPRESORA	VACUUM VALVE
2	8978	ARANDELA	WASHER
3	22788	CUERPO NIVEL SUPERIOR	UPPER LEVEL BODY
4	22789	JUNTA NIVEL	LEVEL GASKET
5	22790	TUERCA NIVEL	LEVEL NUT
6	22791	CRISTAL NIVEL	LEVEL GLASS
7	22792	CUERPO NIVEL INFERIOR	LOWER LEVEL BODY
8	4709	GRIFO BOLA	BALL TAP
9	22793	RACORD	FITTING
10	2585	TAPON	CORK
11	22130	RACORD	FITTING
12	22774	SONDA NIVEL	WATER PROBE
13	22778	RACORD PESCANTE	SUCTION FITTING
14	7424	TORICA RESISTENCIA	RESISTANCE OR GASKET
14	7425	JUNTA RESISTENCIA TEFLON	TEFLON ELEMENT GASKET
15	22754	ARANDELA	WASHER
16	22763	ARANDELA	WASHER
17	22762	TORNILLO	SCREW
18	22794	RESISTENCIA 220V	220V RESISTANCE
19	22753	VALVULA SEGURIDAD	SAFETY VALVE
20	22795	SONDA NIVEL	WATER PROBE
21	993	RACORD	FITTING
22	22779	RACORD	FITTING

FIG.	COD.	DESCRIPCION	DESCRIPTION
23	22796	RACORD	FITTING
24	22764	ARANDELA	WASHER
25	22739	RACORD	FITTING
26	22797	RESISTENCIA 2GR 220V	2GR 220V RESISTANCE
26	22798	RESISTENCIA 3GR 220V	3GR 220V RESISTANCE
27	22783	RACORD	FITTING
28	22782	TUBO PESCANTE	SUCTION PIPE
29	19768	PRESOSTATO	PRESSURE SWITCH
30	10176	ELECTROVALVULA 220V	220V SOLENOID
31	21468	RACORD	FITTING
32	22158	RACORD	FITTING
33	21466	T PLASTICO	PLASTIC T
34	21668	CODO PLASTICO	PLASTIC ELBOW
35	20021	BOMBA VIBRATORIA	VIBRATORY PUMP
36	22799	TUBO INYECTOR	INJECTOR PIPE
37	22698	RACORD	FITTING
38	22800	TERMOSTATO	THERMOSTAT
39	22801	RESISTENCIA 1500W 230V	1500W 230V RESISTANCE
40	22802	RACORD	FITTING
41	22803	RACORD	FITTING
42	22804	VALVULA SEGURIDAD	SAFETY VALVE
43	22805	DISCO COBRE	COOPER DISC
44	14518	TUERCA	NUT

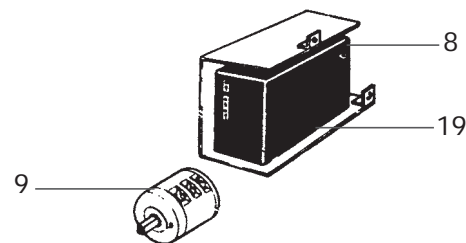
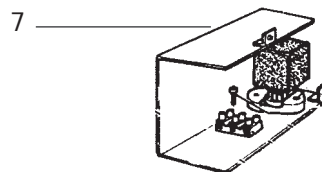
E-90 / D-90

ANTES / BEFORE
1996



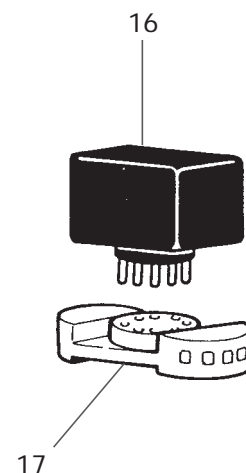
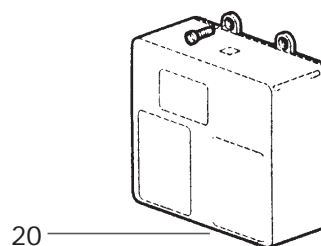
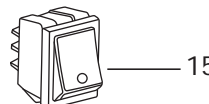
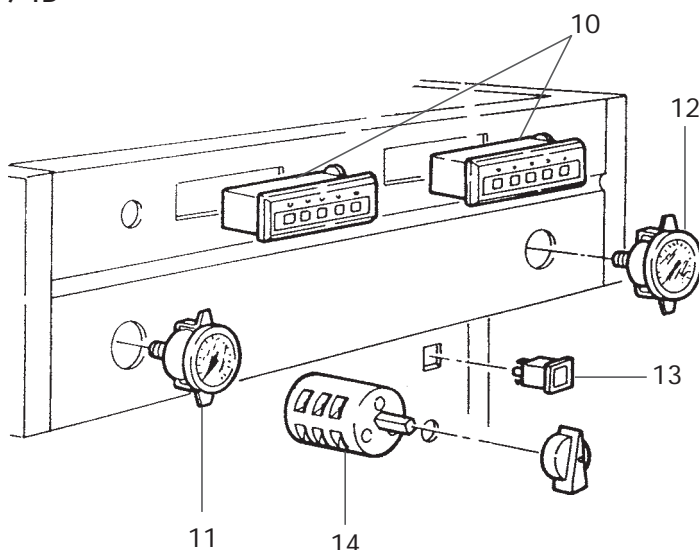
DESPUES / AFTER
1996

DESPUES / AFTER
1996



ANTES / BEFORE
1996

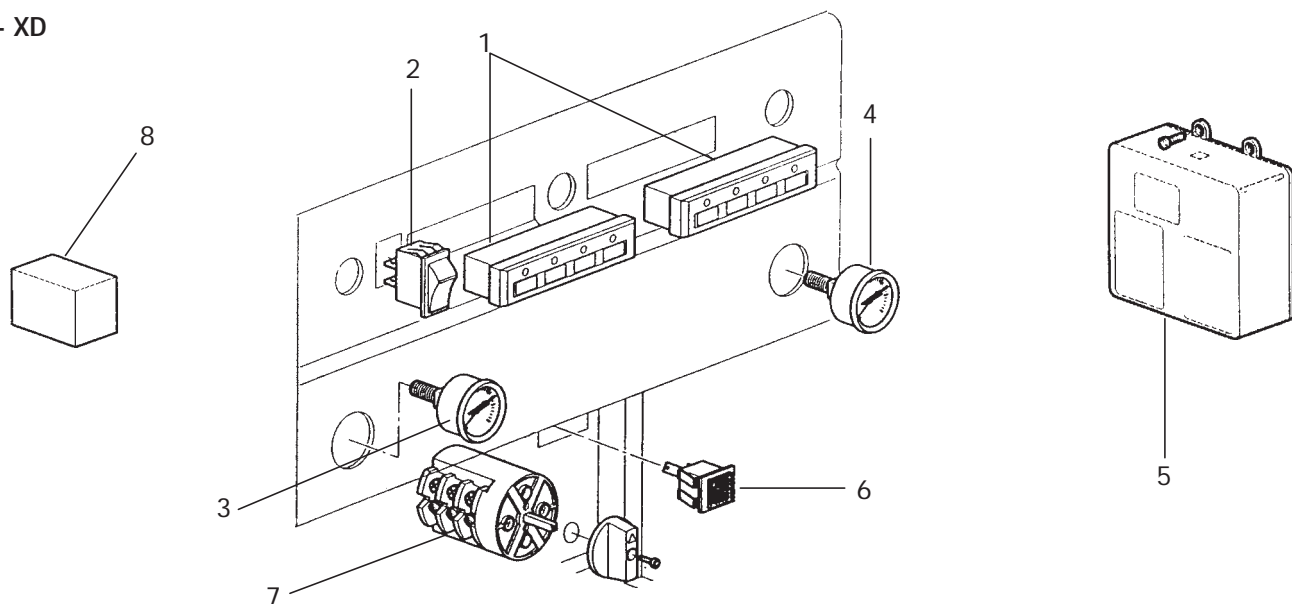
TE / TD



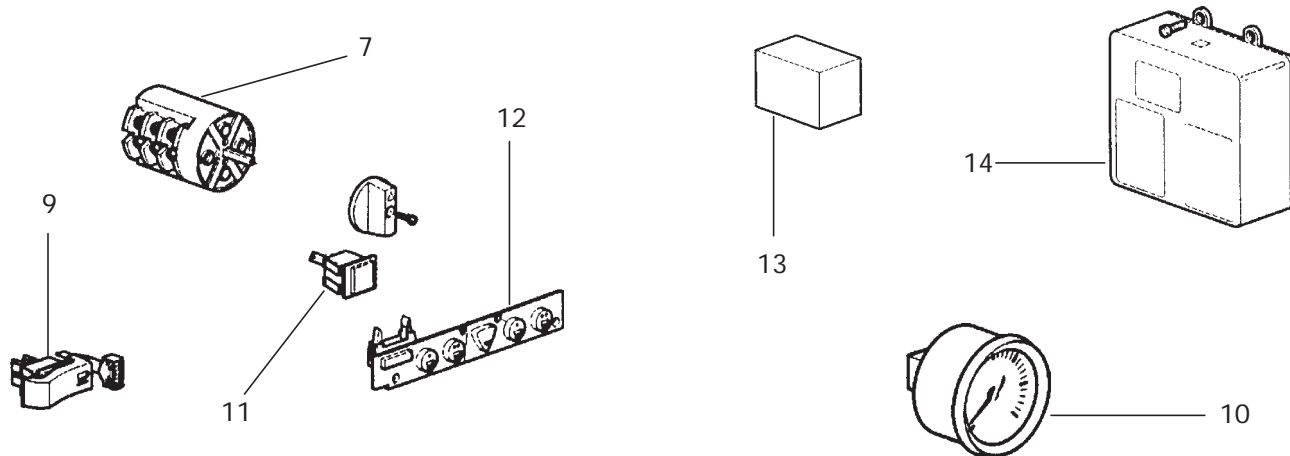
IBERITAL DE RECAMBIOS S.A.

FIG. COD.	DESCRIPCION	DESCRIPTION	FIG. COD.	DESCRIPCION	DESCRIPTION
1 11175	MANOMETRO BOMBA 15 KG	15 KG PUMP MANOMETER	15 6952	INTERRUPTOR AMBAR	YELLOW SWITCH
2 11174	MANOMETRO CALDERA 3 KG	3 KG BOILER MANOMETER	16 7641	CENTRALITA NIVEL 220V	220V LEVEL BOX
3 11176	PILOTO ROJO 220V	220V RED WARNING LAMP	16 11183	CENTRALITA NIVEL 110V	110V LEVEL BOX
3 11177	PILOTO ROJO 110V	110V RED WARNING LAMP	17 7142	BASE 8 PINS	8 PINS BASE
4 11626	CERRADORA CON LLAVE	PROGRAM CONTROLLER W/KEY	17 7144	BASE 11 PINS	11 PINS BASE
5 11190	BOTONERA D-90 MODERNA	MODERN D-90 PUSH BUTTON	18 19349	BOTONERA	PUSH BUTTON
5 11191	BOTONERA AGUA CALIENTE D-90 MOD.	MOD. D-90 PUSH BUTTON HOT WATER	18 19350	BOTONERA AGUA CALIENTE	PUSH BUTTON HOT WATER
6 1310	INTERRUPTOR GRUPO	GROUP SWITCH	19 19346	CENTRALITA 2GR 220V	220V 2GR CENTRAL BOX
7 11180	CENTRALITA NIVEL 220V	220V LEVEL BOX	19 19347	CENTRALITA 3GR 220V	220V 3GR CENTRAL BOX
7 11181	CENTRALITA NIVEL 110V	110V LEVEL BOX	19 19348	CENTRALITA 4GR 220V	220V 4GR CENTRAL BOX
8 11192	CENTRALITA 2GR 220V	220V 2GR CENTRAL BOX	20 19134	CENTRALITA 2GR	2GR CENTRAL BOX
8 11193	CENTRALITA 3GR 220V	220V 3GR CENTRAL BOX	20 19135	CENTRALITA 3GR	3GR CENTRAL BOX
8 11194	CENTRALITA 4GR 220V	220V 4GR CENTRAL BOX	20 19136	CENTRALITA 4GR	4GR CENTRAL BOX
9 11169	INTERRUPTOR GENERAL	GENERAL SWITCH			
10 11630	BOTONERA	PUSH BUTTON			
11 7398	MANOMETRO CALDERA 3 KG	3 KG BOILER MANOMETER			
12 7399	MANOMETRO BOMBA 15 KG	15 KG PUMP MANOMETER			
13 11178	PILOTO ROJO 220V	220V RED WARNING LAMP			
13 11179	PILOTO ROJO 110V	110V RED WARNING LAMP			
14 11170	INTERRUPTOR GENERAL 25A	25A GENERAL SWITCH			
14 22805	INTERRUPTOR GENERAL 16A	16A GENERAL SWITCH			
15 452	INTERRUPTOR ROJO	RED SWITCH			

XE - XD



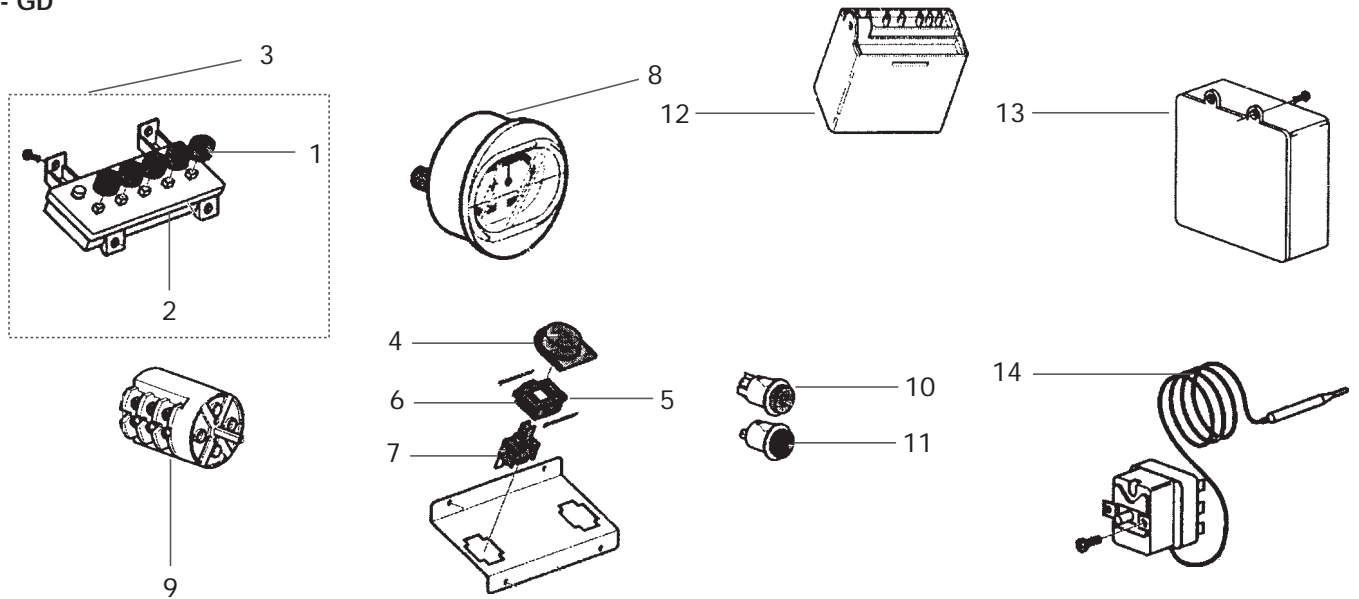
FD 2000 - FE 2000



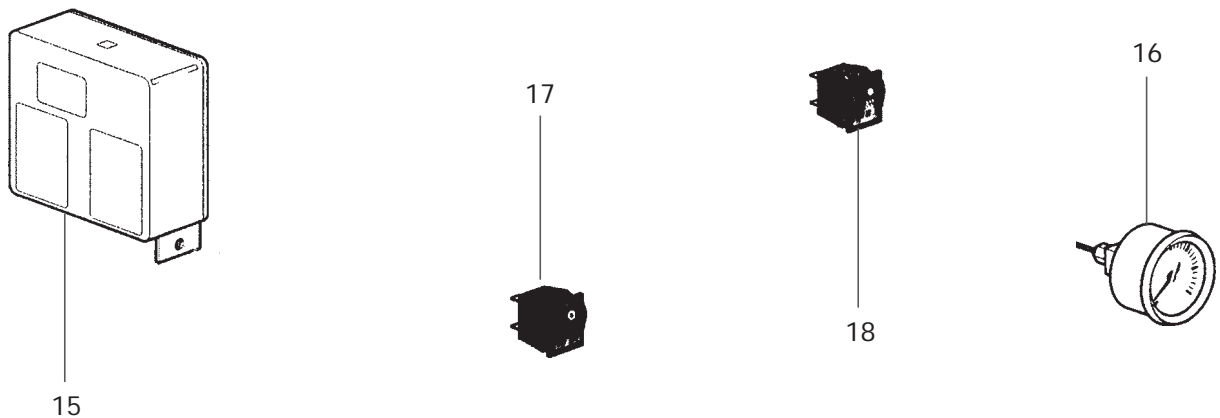
IBERITAL DE RECAMBIOS S.A.

FIG. COD.	DESCRIPCION	DESCRIPTION	FIG. COD.	DESCRIPCION	DESCRIPTION
1 11188	BOTONERA AGUA CALIENTE	HOT WATER PUSH BUTTON	14 19136	CENTRALITA 4GR	4GR CENTRAL BOX
1 11189	BOTONERA GRUPO	GROUP PUSH BUTTON			
2 452	INTERRUPTOR ROJO	RED SWITCH			
3 7400	MANOMETRO CALDERA 3 KG	3 KG BOILER MANOMETER			
4 7401	MANOMETRO BOMBA 15 KG	15 KG PUMP MANOMETER			
5 11184	CENTRALITA 3GR 220V	220V 3GR CENTRAL BOX			
5 11185	CENTRALITA 3GR 110V	110V 3GR CENTRAL BOX			
5 11186	CENTRALITA 2GR 220V	220V 2GR CENTRAL BOX			
5 11187	CENTRALITA 2GR 110V	110V 2GR CENTRAL BOX			
6 11178	PILOTO ROJO 220V	220V RED WARNING LAMP			
6 11179	PILOTO ROJO 110V	110V RED WARNING LAMP			
7 22806	INTERRUPTOR GENERAL	GENERAL SWITCH			
8 11182	CENTRALITA NIVEL 220V	220V LEVEL BOX			
8 11183	CENTRALITA NIVEL 110V	110V LEVEL BOX			
9 22807	INTERRUPTOR	SWITCH			
10 22808	MANOMETRO BOMBA	PUMP MANOMETER			
10 22809	MANOMETRO CALDERA	BOILER MANOMETER			
11 22810	PILOTO	WARNING LAMP			
12 22012	PANEL MANDOS	TOUCH PANEL			
13 22811	CENTRALITA NIVEL 220V	220V LEVEL BOX			
13 11183	CENTRALITA NIVEL 110V	110V LEVEL BOX			
14 19134	CENTRALITA 2GR	2GR CENTRAL BOX			
14 19135	CENTRALITA 3GR	3GR CENTRAL BOX			

GE - GD



TS



IBERITAL DE RECAMBIOS S.A.

FIG. COD.	DESCRIPCION	DESCRIPTION	FIG. COD.	DESCRIPCION	DESCRIPTION
1	22812	PULSADOR			PUSH BUTTON
2	22813	BOTONERA			TOUCH PANEL
3	22814	BOTONERA COMPLETA			TOUCH PANEL ASSEMBLY
4	22815	PULSADOR			PUSH BUTTON
5	22816	PASADOR			PIN
6	22817	ADAPTADOR INTERRUPTOR			SWITCH ADAPTER
7	22818	PULSADOR AGUA CALIENTE			HOT WATER PUSH BUTTON
8	22819	MANOMETRO DOBLE ESCALA			SCALE DOUBLE MANOMETER
9	22806	INTERRUPTOR GENERAL			GENERAL SWITCH
10	22820	INTERRUPTOR ESCALDATAZAS			CUP WARMER SWITCH
11	22821	PILOTO			WARNING LAMP
12	22823	CENTRALITA			CENTRAL BOX
13	222824	CENTRALITA 2GR			2GR CENTRAL BOX
13	222825	CENTRALITA 3GR			3GR CENTRAL BOX
13	22826	CENTRALITA 4GR			4GR CENTRAL BOX
14	22827	TERMOSTATO			THERMOSTAT
15	22833	CENTRALITA			CENTRAL BOX
16	22809	MANOMETRO CALDERA			BOILER MANOMETER
17	452	INTERRUPTOR			SWITCH
18	90128	INTERRUPTOR CAFE			COFFEE SWITCH

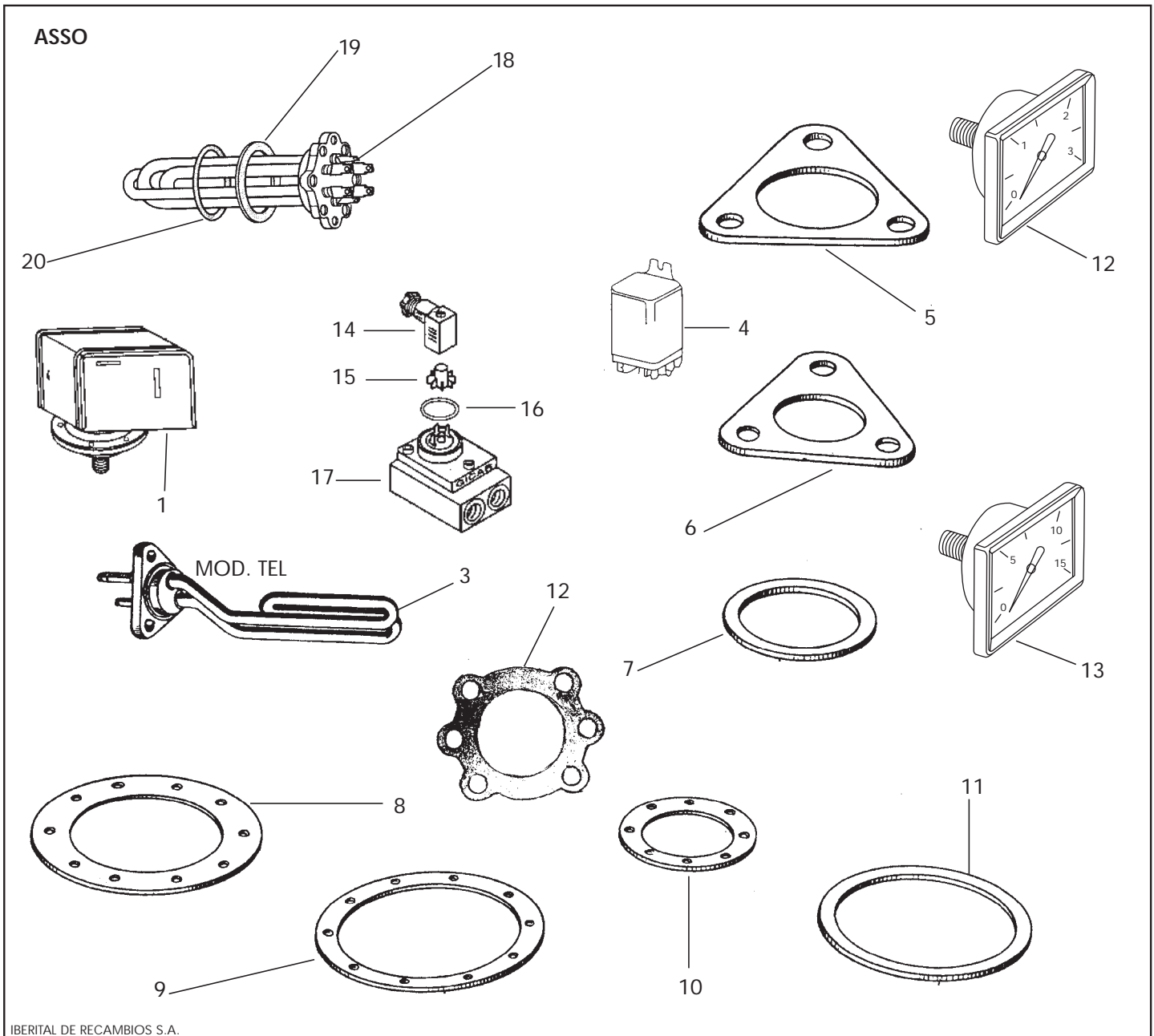


FIG. COD.	DESCRIPCION	DESCRIPTION	FIG. COD.	DESCRIPCION	DESCRIPTION
1 558	PRESOSTATO SIRAI	SIRAI PRESSURE SWITCH	18 10610	RES. ASSO CAFE1500W 220/380V	1500W 220/380V ASSO COFFEE ELEMENT
1 9802	PRESOSTATO SIRAI "UL"	"UL" SIRAI PRESSURE SWITCH	18 10611	RES. ASSO VAPOR 2000W 220/380V	2000W 220/380V ASSO COFFEE ELEMENT
3 7708	RESISTENCIA 1 GR. 750W/230V	RESISTANCE 1 GR. 750W/230V	19 7425	JUNTA RESISTENCIA TEFLON	TEFLON ELEMENT GASKET
3 7710	RESISTENCIA 2 GR. 2000W/230V	RESISTANCE 2 GR. 2000W/230V	20 7424	JUNTA TORICA	O'RING ELEMENT
4 7403	RELE 220V	RELAY 220V			
4 7402	RELE 24V	RELAY 24V			
5 6301	JUNTA RESISTENCIA	RESISTANCE GASKET			
6 9657	JUNTA RESISTENCIA PEQUEÑA	LITTLE RESISTANCE GASKET			
7 7425	JUNTA RESISTENCIA TEFLON	TEFLON RESISTANCE GASKET			
8 7426	JUNTA CALDERA ALIMENTARIA	ALIMENTARY BOILER GASKET			
9 7427	JUNTA CALDERA ALIMENTARIA	ALIMENTARY BOILER GASKET			
9 19138	JUNTA CALDERA E/D 90	E/D 90 BOILER GASKET			
10 7428	JUNTA CALDERA ALIMENTARIA	ALIMENTARY BOILER GASKET			
11 7429	JUNTA CALDERIN TEFLON	TEFLON BOILER GASKET			
12 19137	JUNTA RESISTENCIA E/D 90	E/D 90 ELEMENT GASKET			
12 850	MANOMETRO 3 KG	3 KG MANOMETER			
13 849	MANOMETRO 15 KG	15 KG MANOMETER			
14 9686	CONECTOR	CONECTOR			
15 3875	GIRANTE	FLOWMETER IMPELLER			
16 5447	TORICA TAPA	LID OR GASKET			
17 9685	CONTADOR VOLUMETRICO	FLOWMETER			