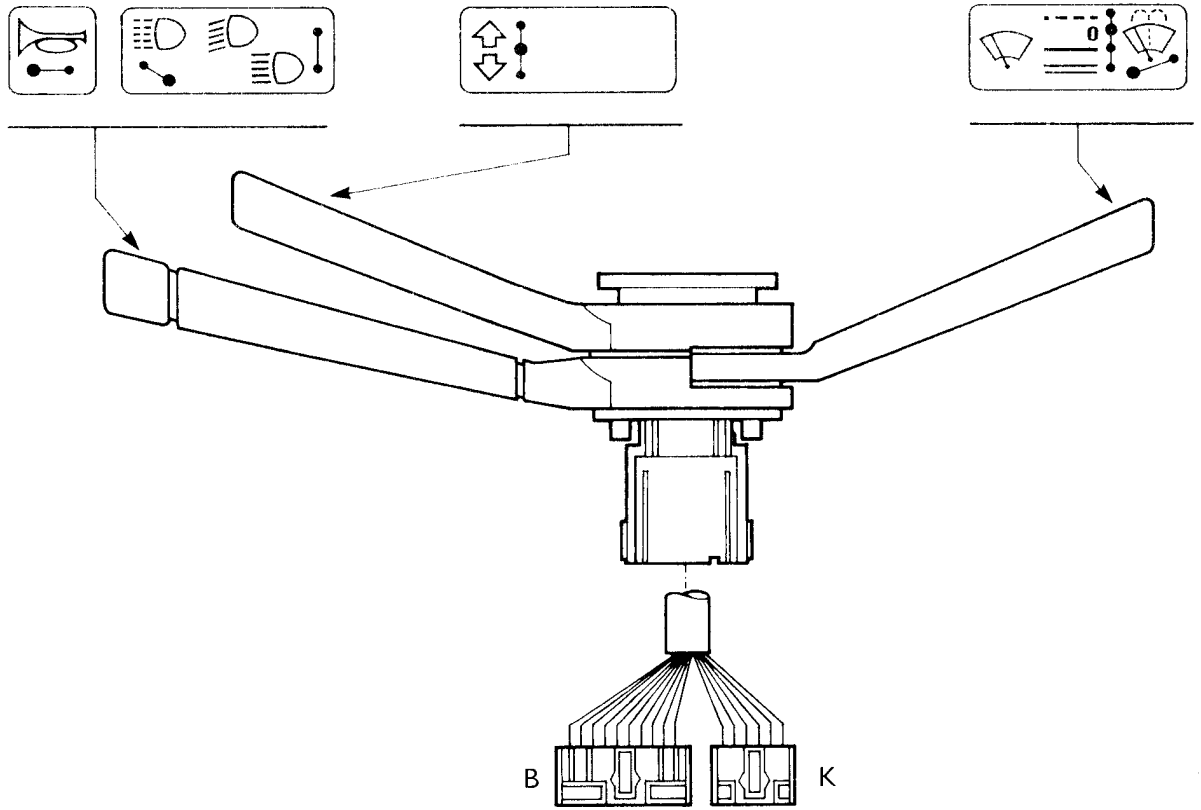
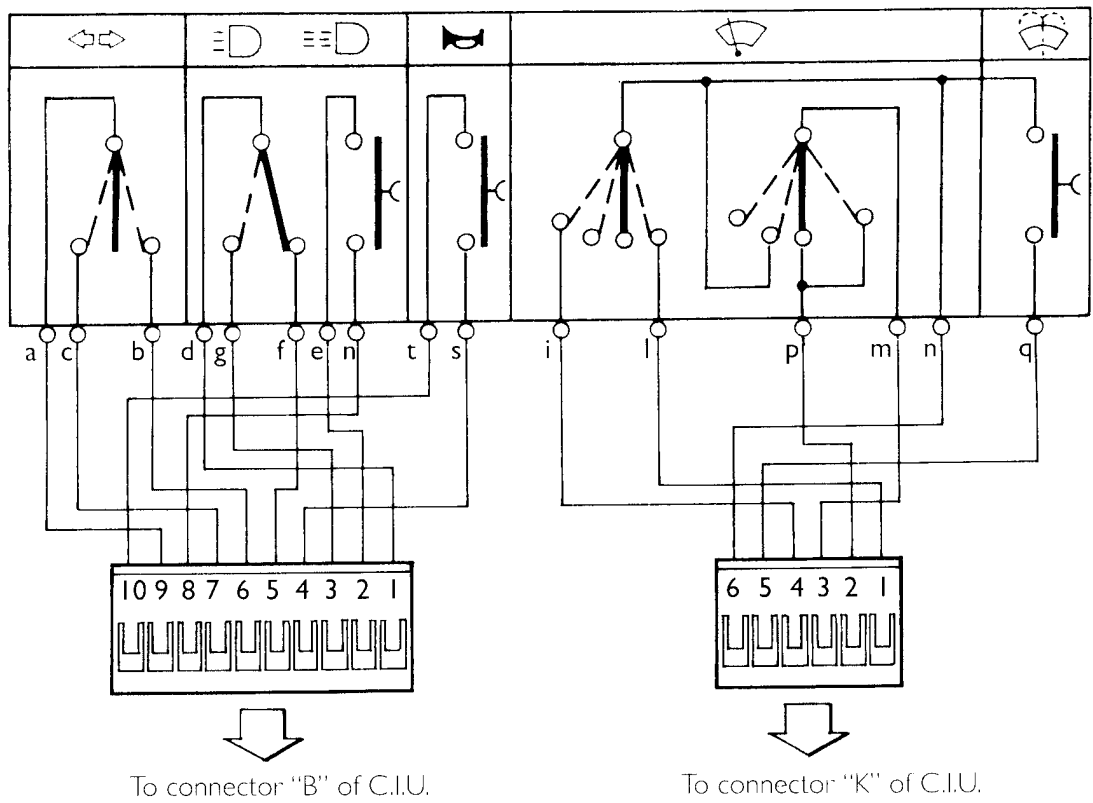
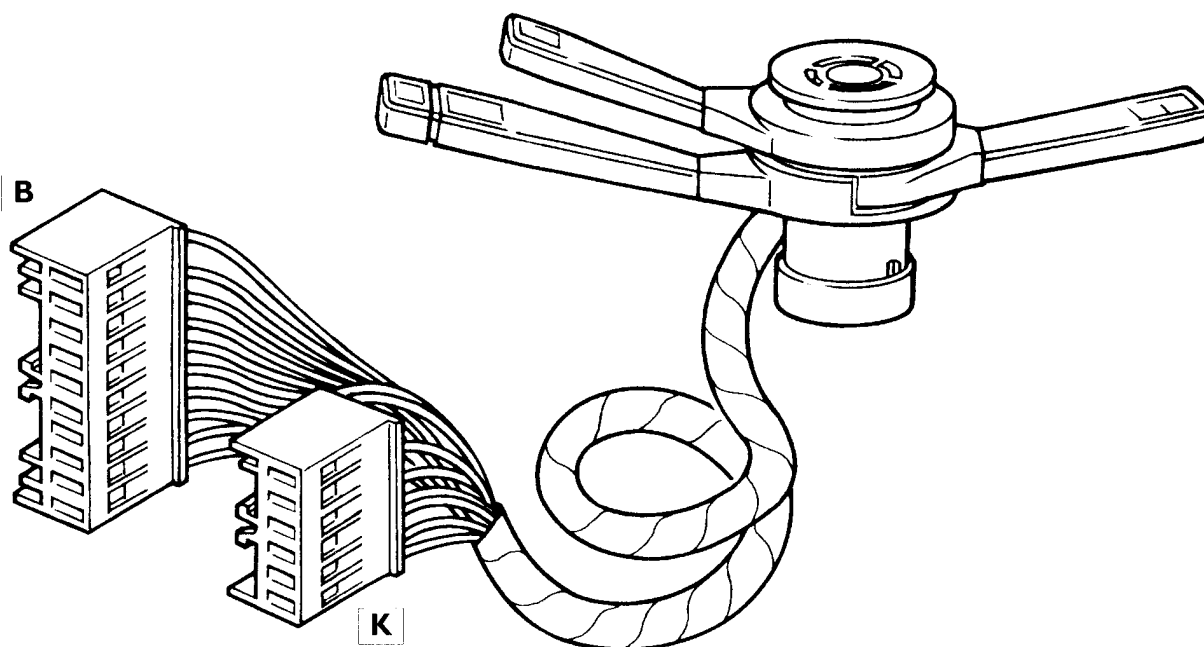


Steering column switch



STEERING COLUMN SWITCH ASSEMBLY - FRONT VIEW





LAYOUT WITH CONNECTIONS

Ref. no.	Cable colour	Function
1 (d)	green	Supply of high/low beam lights
2 (e)	brown	Flasher light
3 (g)	blue	High beam lights
4 (s)	black	Horns
B 5 (f)	grey/black	Low beam lights
6 (b)	blue/black	Lh turn signal light
7 (c)	light blue	Rh turn signal light
8 (n)	brown	Flasher light supply
9 (a)	violet	Turn signal flasher light
10 (t)	black	Horn supply
1 (l)	yellow	Windscreen wipers (intermittent operation)
2 (p)	light blue/white	Windscreen wipers (reset)
K 3 (m)	light blue/yellow	Windscreen wipers (low speed)
4 (i)	grey	Windscreen wipers (high speed)
5 (q)	green/black	Windscreen washer pump
6 (h)	pink/black	Supply of windscreen wiper and washer pump unit