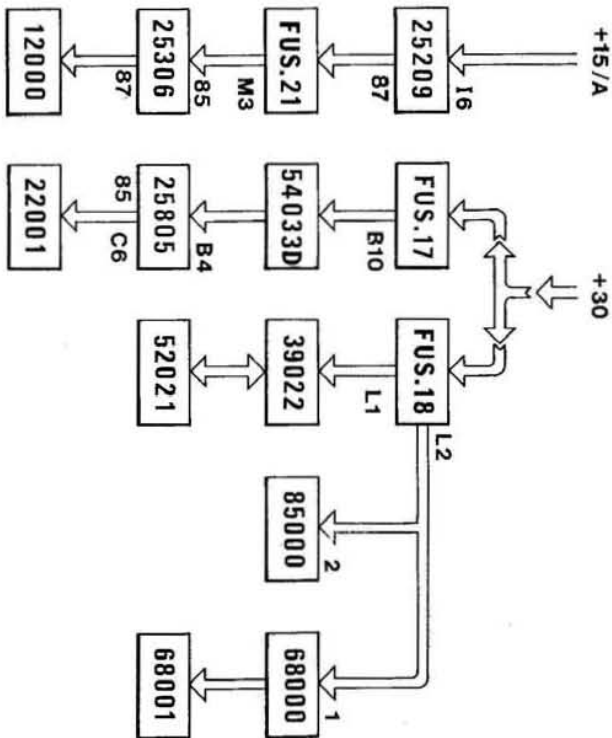


- | | |
|---|--|
| 12000 Motor for electric heater and windscreen defroster | 52600 Current main breaker |
| 20000 Start battery | 54033 6-function steering column switch |
| 22001 Horn | 68000 Radioreceiver |
| 25306 Roof lamp for inner cab lighting with swinging spot | 68001 Loudspeaker |
| 39022 Relay for electrical heating and wind screen defog light | 70058 20 A fuse holder |
| 52021 Switch for inner lights | 85000 Cigar lighter |
| 52502 Key switch for utilities with start | |

1118E



1118E