

H G F E D C B A

4

3

2

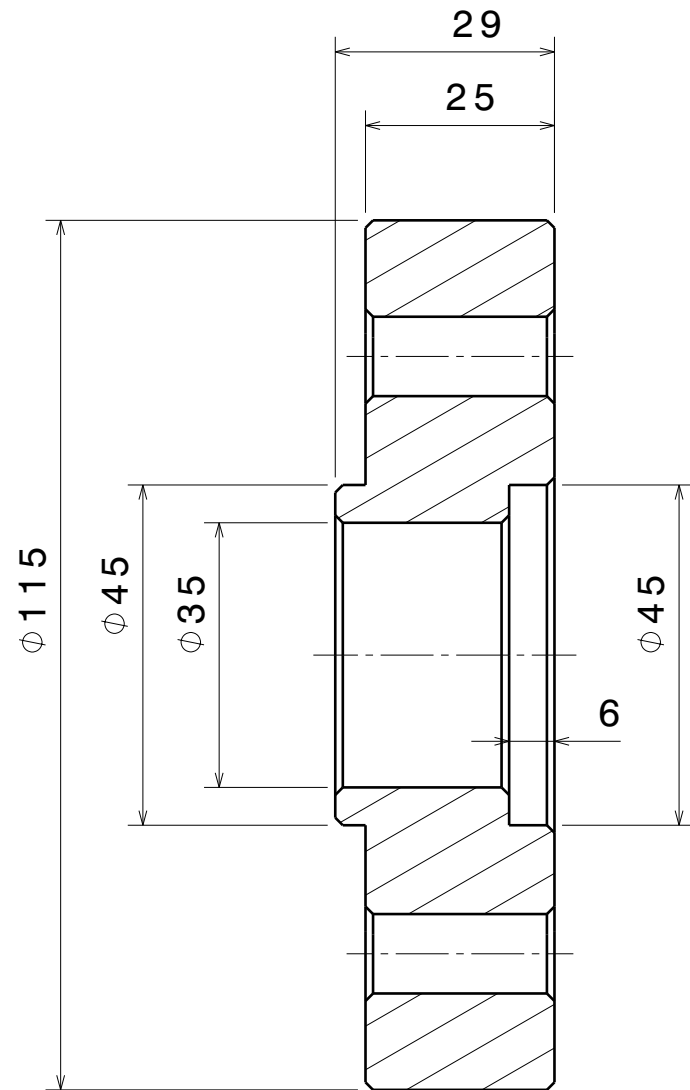
1

4

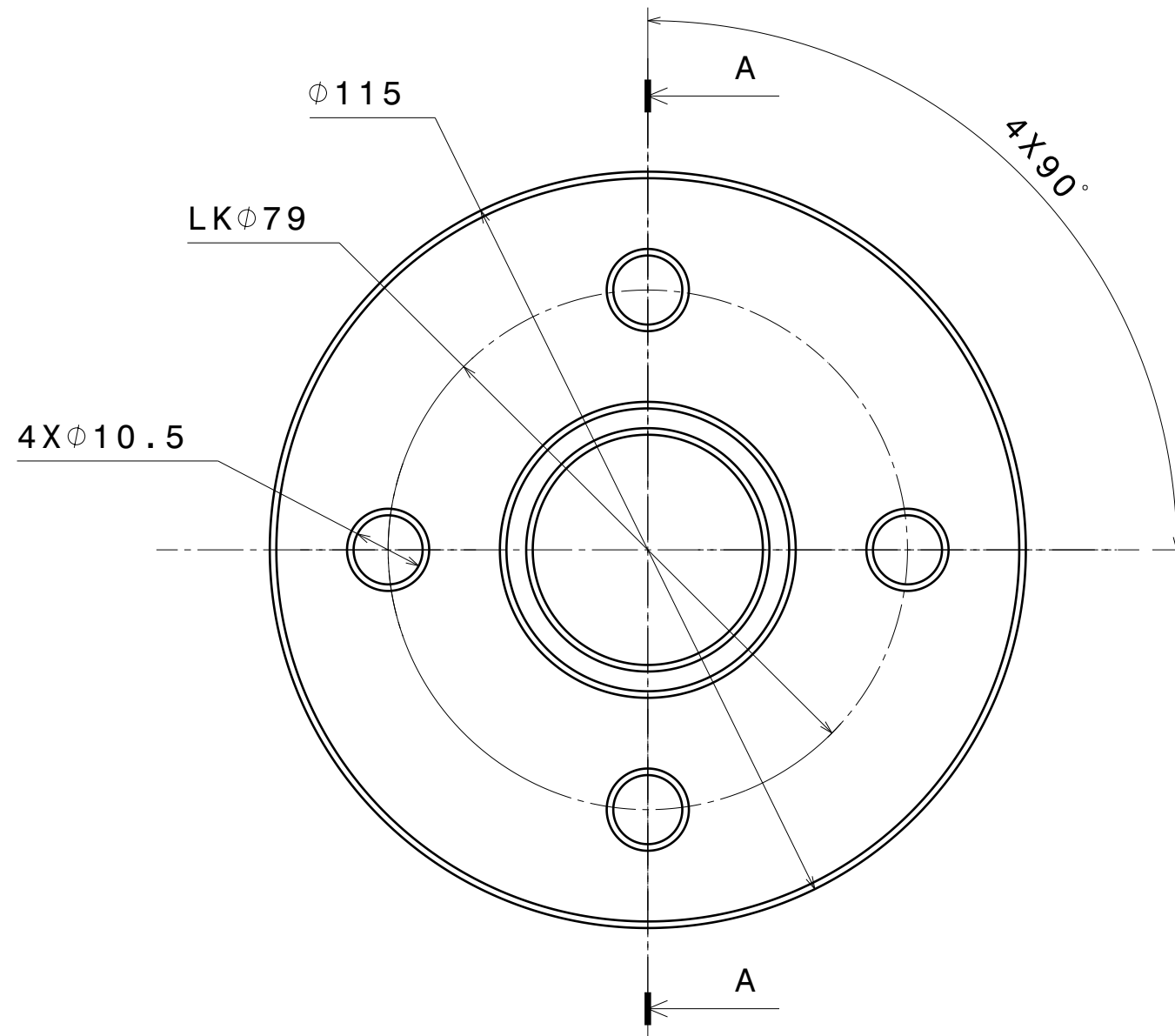
3

2

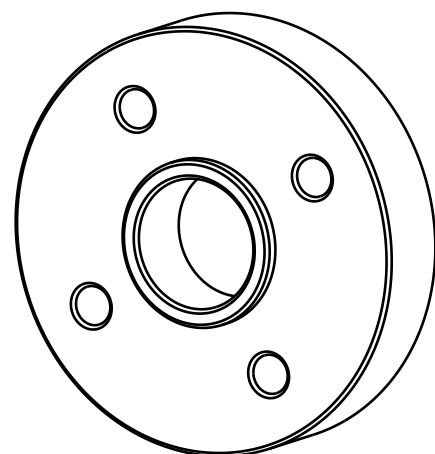
1



SchnittA-A



Alle unbemaßten Fasen 1x45°
 Lochkreis 79 mm
 Bohrungsmaß Mitte - Mitte 55,86 mm



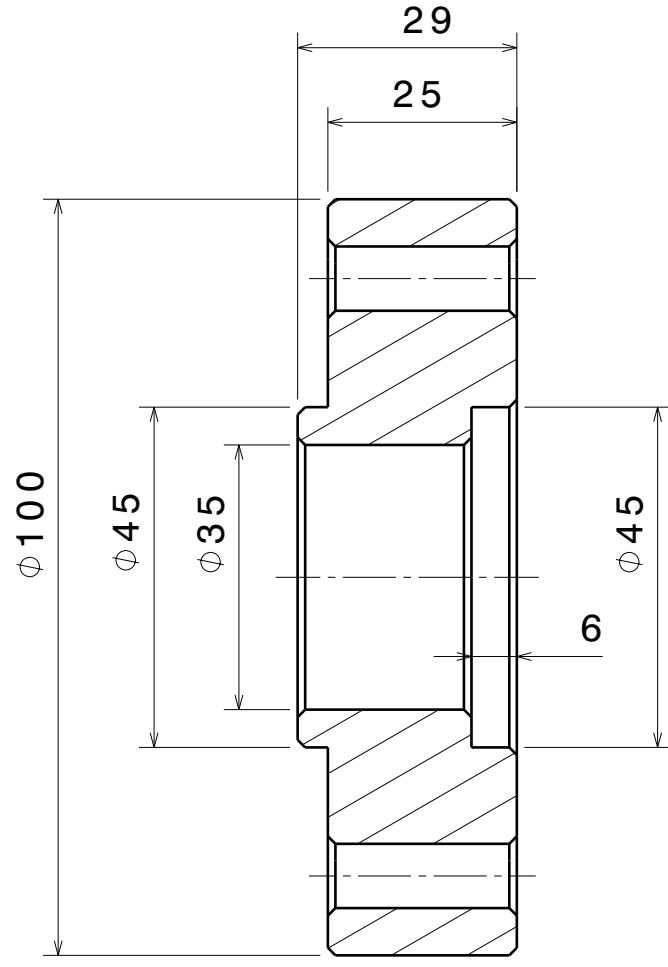
Isometrische Ansicht
 Maßstab: 1:2

DESIGNED BY: VE	Spacer JSA		I	-
DATE: 25.09.2012			H	-
CHECKED BY: XXX	JSA = Japaner Samurai		G	-
DATE: XXX			F	-
SIZE A3		XXX	E	-
SCALE 1:1	WEIGHT (kg) XXX		D	-
DRAWING NUMBER		XXX	C	-
SHEET			B	-
		1/1	A	-

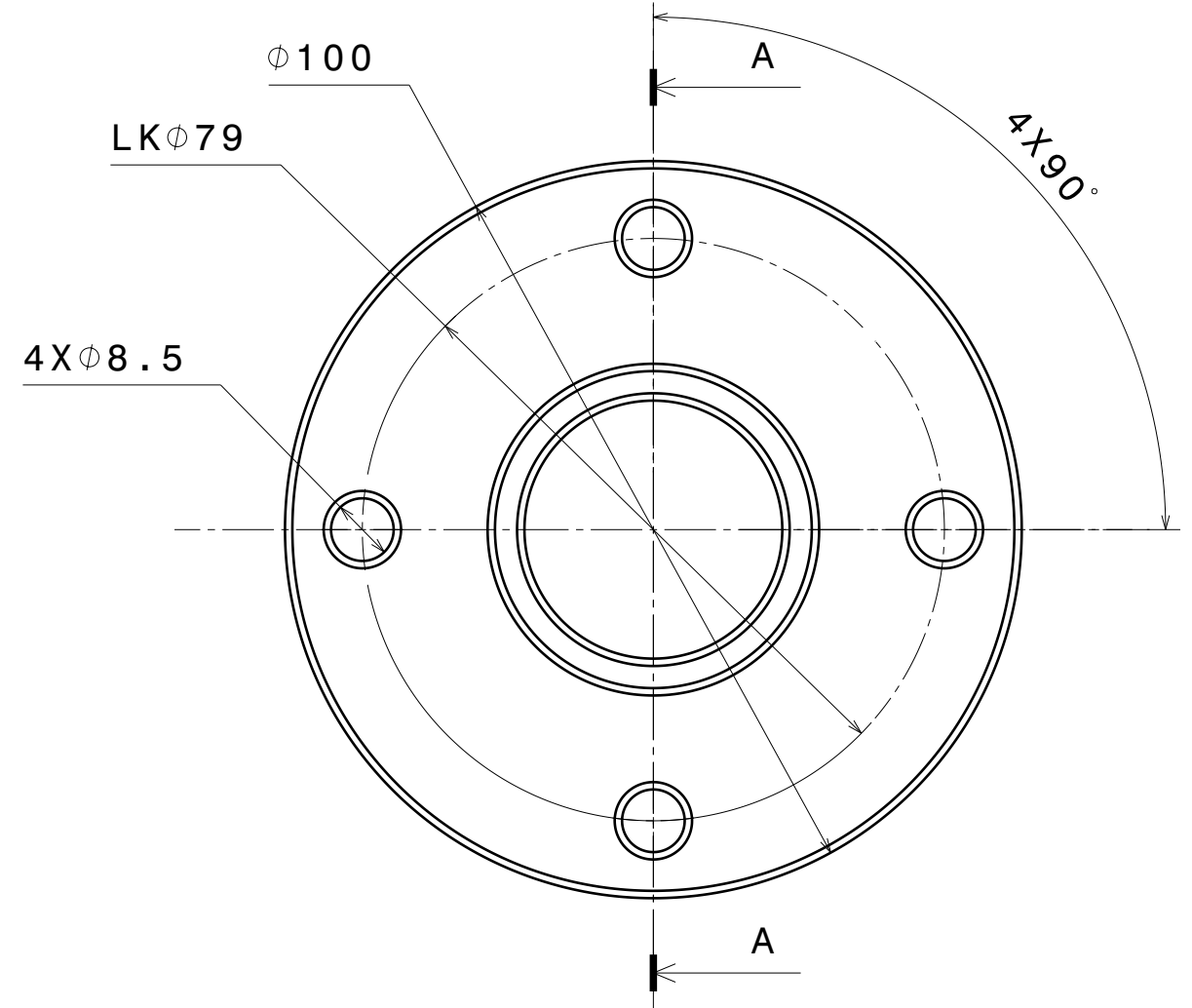
This drawing is our property; it can't be reproduced or communicated without our written agreement.

H G B A

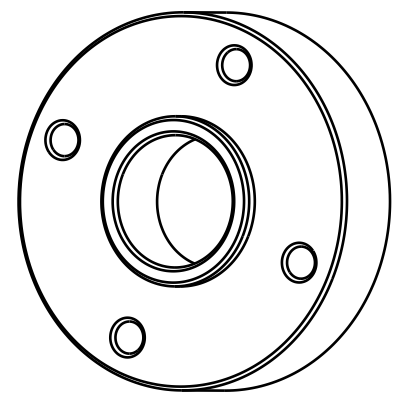
H G F E D C B A



SchnittA-A



Alle unbemaßten Fasen 1x45°
 Lochkreis 79 mm
 Bohrungsmaß Mitte - Mitte 55,86 mm



Isometrische Ansicht
 Maßstab: 1:2

DESIGNED BY: VE	<h1>Spacer VSE</h1>		I	-
DATE: 28.09.2012			H	-
CHECKED BY: XXX	<h2>VSE = SJ413 und Spanier</h2>		G	-
DATE: XXX			F	-
SIZE A3		<h3>SCALE</h3>	E	-
SCALE 1:1	WEIGHT (kg) XXX		D	-
DRAWING NUMBER XXX		<h3>SHEET</h3>	C	-
			B	-
		1/1	A	-

This drawing is our property; it can't be reproduced or communicated without our written agreement.

H G B A